



Chipsmall Limited consists of a professional team with an average of over 10 year of expertise in the distribution of electronic components. Based in Hongkong, we have already established firm and mutual-benefit business relationships with customers from,Europe,America and south Asia,supplying obsolete and hard-to-find components to meet their specific needs.

With the principle of “Quality Parts,Customers Priority,Honest Operation,and Considerate Service”,our business mainly focus on the distribution of electronic components. Line cards we deal with include Microchip,ALPS,ROHM,Xilinx,Pulse,ON,Everlight and Freescale. Main products comprise IC,Modules,Potentiometer,IC Socket,Relay,Connector.Our parts cover such applications as commercial,industrial, and automotives areas.

We are looking forward to setting up business relationship with you and hope to provide you with the best service and solution. Let us make a better world for our industry!



Contact us

Tel: +86-755-8981 8866 Fax: +86-755-8427 6832

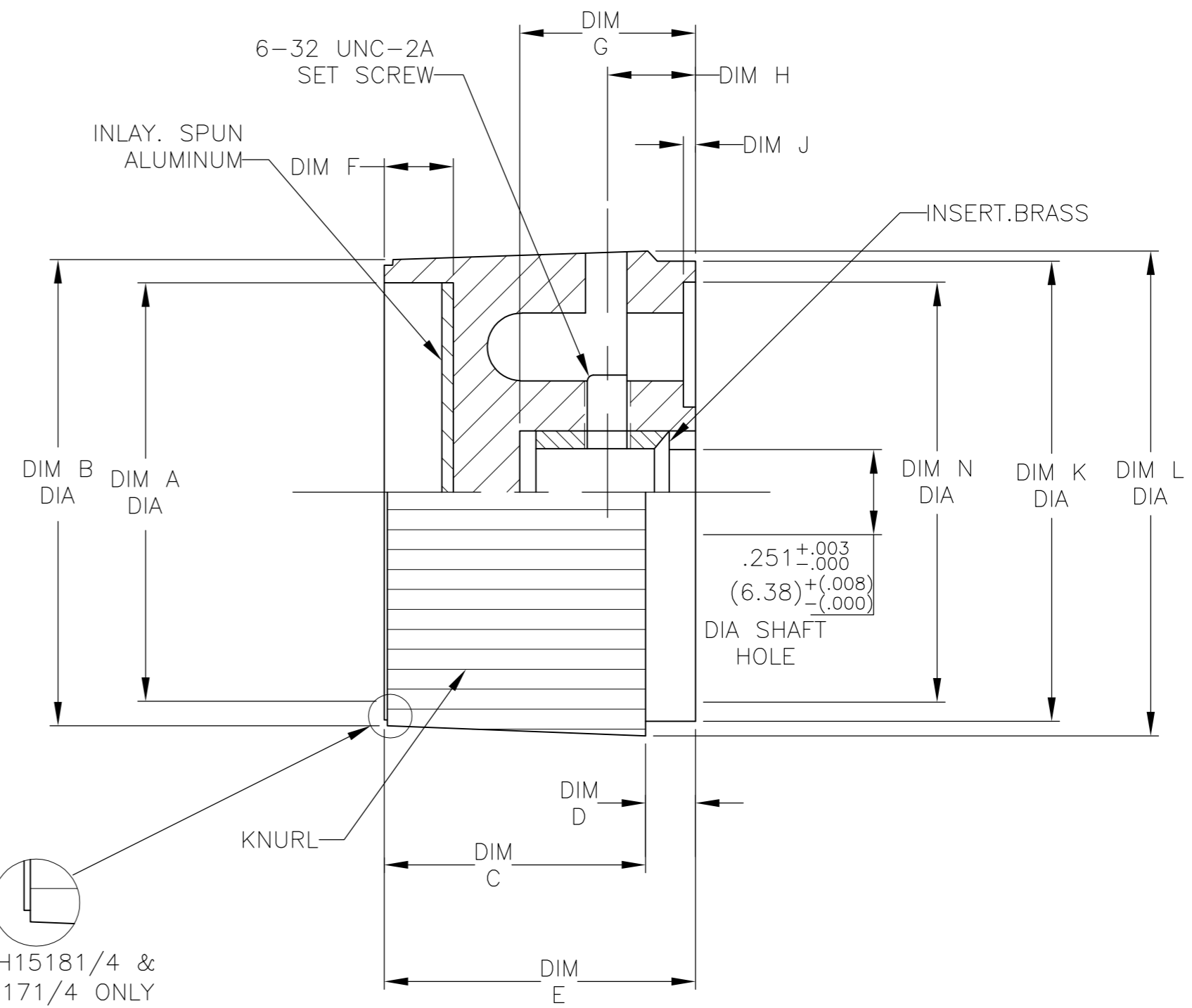
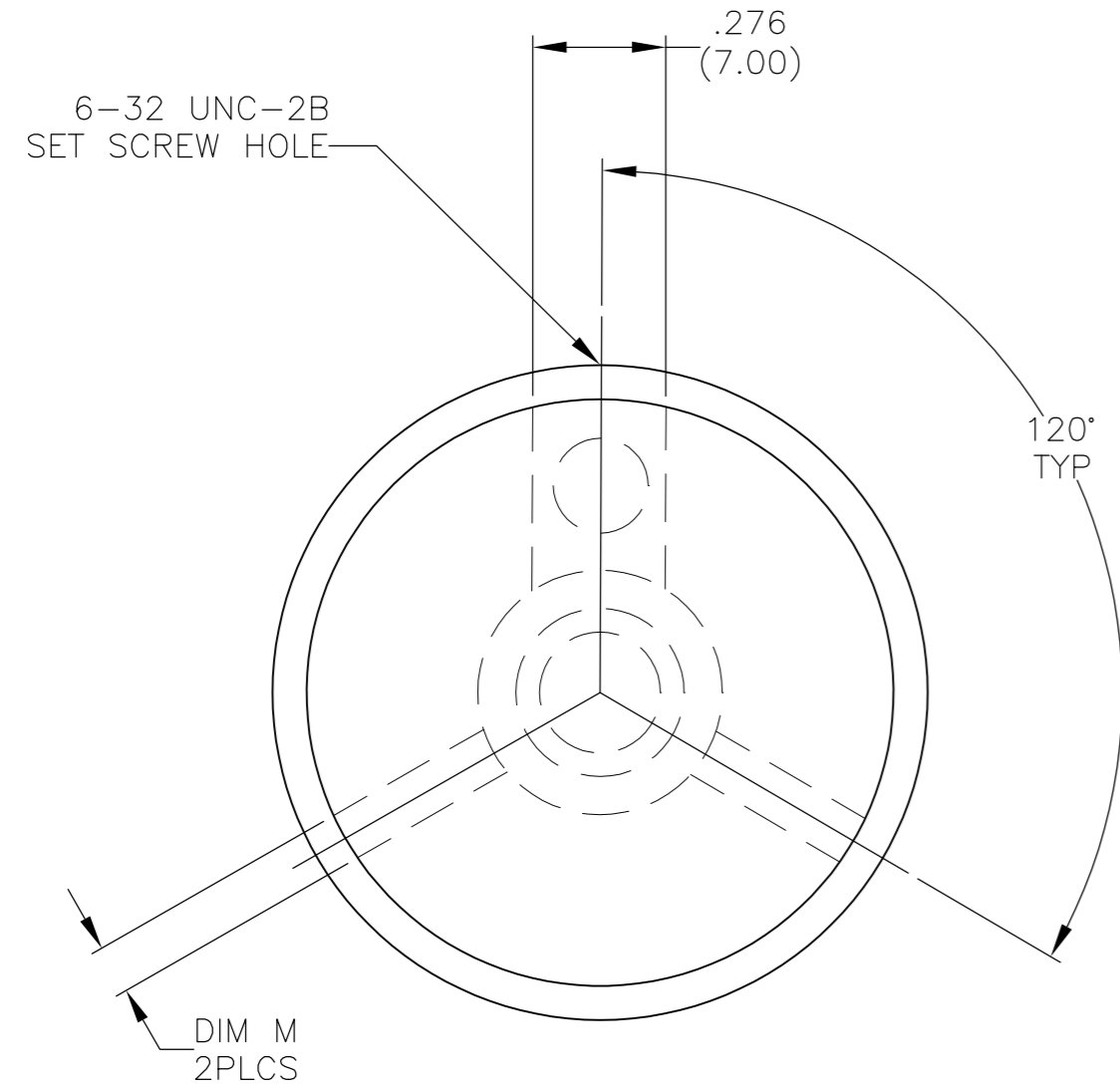
Email & Skype: info@chipsmall.com Web: www.chipsmall.com

Address: A1208, Overseas Decoration Building, #122 Zhenhua RD., Futian, Shenzhen, China



THIS DRAWING IS UNPUBLISHED. RELEASED FOR PUBLICATION
 © COPYRIGHT BY TYCO ELECTRONICS CORPORATION. ALL RIGHTS RESERVED.

LOC		DIST		REVISIONS			
AD	00	P	LTR	DESCRIPTION	DATE	DWN	APVD
		A2		ECO-08-001233	16JAN08	MB	MW



PH15181/4 & PH14171/4 ONLY

MODEL NO.	DIMENSIONS													TE PT. NO.
	DIM A	DIM B	DIM C	DIM D	DIM E	DIM F	DIM G	DIM H	DIM J	DIM K	DIM L	DIM M	DIM N	
PH15181/4	.799 (20.30)	.972 (24.70)	.512 (13.00)	.157 (4.00)	.669 (17.00)	.118 (3.00)	.472 (12.00)	.276 (7.00)	.098 (2.50)	.937 (23.80)	.996 (25.30)	.079 (2.00)	.823 (20.90)	1437624-2
PH14171/4	.988 (25.10)	1.161 (29.50)	.591 (15.00)	.079 (2.00)	.669 (17.00)	.138 (3.50)	.445 (11.30)	.256 (6.50)	.098 (2.50)	1.102 (28.00)	1.193 (30.30)	.079 (2.00)	1.024 (26.00)	1437624-1
PH13161/4	1.201 (30.50)	1.339 (34.00)	.764 (19.40)	.142 (3.60)	.906 (23.00)	.197 (5.00)	.512 (13.00)	.256 (6.50)	--	1.319 (33.50)	1.402 (35.60)	.098 (2.50)	--	2-1437625-5

OBSOLETE
OBSOLETE

WAS DWG 80992

THIS DRAWING IS A CONTROLLED DOCUMENT.		DWN BSV 06JUL04	Tyco Electronics Corporation Harrisburg, Pa 17105-3608	
DIMENSIONS: mm [INCHES]		CHK -	NAME M ZITTO	
TOLERANCES UNLESS OTHERWISE SPECIFIED:		APVD -	PRODUCT SPEC	
0 PLC ± -		APPLICATION SPEC		SIZE A2
1 PLC ± -		WEIGHT -		CAGE CODE 00779
2 PLC ± -		CUSTOMER DRAWING		DRAWING NO C=1437624-1
3 PLC ± .012		SCALE 1:1		SHEET 1 OF 1
4 PLC ± -		REV A2		RESTRICTED TO -
ANGLES ± 3°				
FINISH -				