



Chipsmall Limited consists of a professional team with an average of over 10 year of expertise in the distribution of electronic components. Based in Hongkong, we have already established firm and mutual-benefit business relationships with customers from,Europe,America and south Asia,supplying obsolete and hard-to-find components to meet their specific needs.

With the principle of “Quality Parts,Customers Priority,Honest Operation,and Considerate Service”,our business mainly focus on the distribution of electronic components. Line cards we deal with include Microchip,ALPS,ROHM,Xilinx,Pulse,ON,Everlight and Freescale. Main products comprise IC,Modules,Potentiometer,IC Socket,Relay,Connector.Our parts cover such applications as commercial,industrial, and automotives areas.

We are looking forward to setting up business relationship with you and hope to provide you with the best service and solution. Let us make a better world for our industry!



Contact us

Tel: +86-755-8981 8866 Fax: +86-755-8427 6832

Email & Skype: info@chipsmall.com Web: www.chipsmall.com

Address: A1208, Overseas Decoration Building, #122 Zhenhua RD., Futian, Shenzhen, China



50W to 300W, 200 to 425VDC Input DC-DC Converters

Features

- ◆ 200 - 425VDC Input
- ◆ Base-plate Cooled
- ◆ Full Power at 100°C base plate
- ◆ Quarter and Half Brick (300W) Footprint



(Quarter brick shown)

Key Market Segments & Applications



Specifications								
Model								
Nominal Output Voltage	VDC	3.3V	5V	12V	15V	24V	28V	48V
Input Voltage Range	VDC	200 - 425VDC						
Input Current	A	See model selector						
Output Voltage Adjustment	VDC	See model selector						
Ripple & Noise (max) pk-pk	mV	100	100	150	150	240	280	400 (300W: 480mV)
Line Regulation (max)	mV	10	10	24	30	48	56	96
Load Regulation (max)	mV	10	10	24	30	48	56	96
Overcurrent Protection	%	102 - 150% (Constant current style)						
Overvoltage Protection (1)	%	130 - 200	125 - 150	50-150W: 115 - 145%, 300W: 125 - 145%				
Remote Sense	-	Yes						
Remote On/Off	-	Yes; Low = ON, Open = OFF						
Operating Temperature	°C	-40°C to +100°C Base-plate, -40°C to +85°C Ambient						
Storage Temperature	°C	-40°C to +100°C						
Temperature Coefficient	%/°C	0.02%/°C						
Humidity (non condensing)	%RH	5 - 95% RH Operating and Non Operating						
Cooling	-	Conduction (See Installation Manual for heatsink selection)						
Withstand Voltage	VAC	Input to Base-plate: 2.5kVAC; Input to Output 3.0kVAC for 1 min.; Output to Base-plate: 500VAC for 1 min						
Isolation Resistance	MΩ	>100MΩ at 25C and 70%RH, Output to Base plate 500VDC						
Vibration	-	Non Operating, 10-55Hz (sweep for 1 min.) Amplitude 0.825mm constant (Max 49 m/s ²) X,Y,Z 1 hour each						
Shock	-	196.1m/s ²						
Safety Agency Certifications	-	UL60950-1, CSA60950-1, EN60950-1, CE Mark						
Weight (Typ)	g	50-150W: 55g, 300W: 100g						
Size (WxHxD)	in (mm)	50 to 150W: 1.46 x 0.5 x 2.30" (37.2 x 12.7 x 58.3) 300W: 2.4 x 0.5 x 2.28" (61.0 x 12.7 x 57.9)						
Warranty	yrs	5 Years						

Note: See Installation Manual for full details, test methods of parameters and application notes

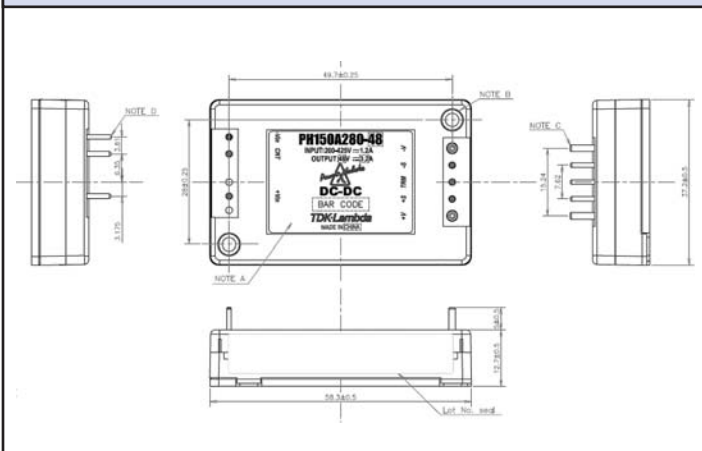
(1) Cycle input or remote on/off to reset

Model Selector

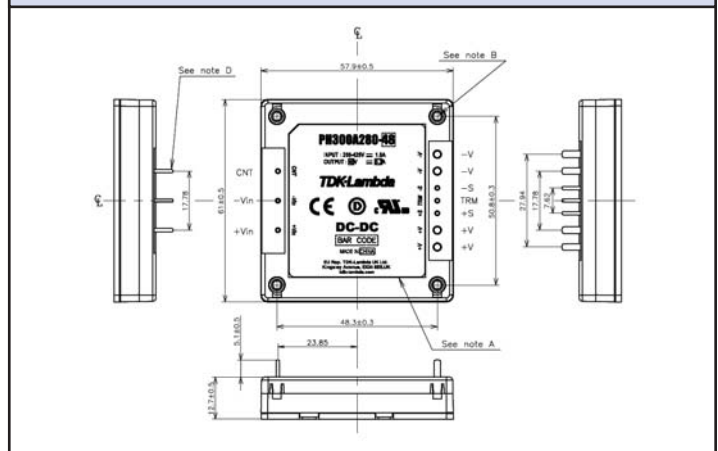
Model	Voltage (V)	Output Adjustment	Output Current (A)	Maximum Power (W)	Input Current (A) ⁽²⁾	Efficiency (%) ⁽²⁾
PH75A280-3.3	3.3	2.97 - 3.96	15	49.5	0.22	83
PH100A280-3.3	3.3	2.97 - 3.96	20	66	0.29	83
PH50A280-5	5	4 - 6	10	50.0	0.21	86
PH75A280-5	5	4 - 6	15	75.0	0.32	86
PH100A280-5	5	4 - 6	20	100.0	0.42	86
PH50A280-12	12	9.6 - 13.2	4.2	50.4	0.20	89
PH75A280-12	12	9.6 - 13.2	6.3	75.6	0.31	89
PH100A280-12	12	9.6 - 13.2	8.4	100.8	0.41	89
PH150A280-12	12	9.6 - 13.2	12.5	150.0	0.62	88
PH300A280-12	12	7.2 - 14.4	25	300.0	1.22	89
PH75A280-15	15	12 - 16.5	5	75.0	0.3	90
PH150A280-15	15	12 - 16.5	10	150.0	0.6	90
PH50A280-24	24	19.2 - 26.4	2.1	50.4	0.20	89
PH75A280-24	24	19.2 - 26.4	3.2	76.8	0.31	90
PH100A280-24	24	19.2 - 26.4	4.2	100.8	0.40	90
PH150A280-24	24	19.2 - 26.4	6.3	151.2	0.61	89
PH300A280-24	24	14.4 - 28.8	12.5	300.0	1.2	90.5
PH75A280-28	28	22.4 - 30.8	2.7	75.6	0.3	90
PH150A280-28	28	22.4 - 30.8	5.4	151.2	0.61	90
PH300A280-28	28	16.8 - 33.6	10.8	302.4	1.2	91
PH50A280-48	48	38.4 - 52.8	1.1	52.8	0.21	89
PH75A280-48	48	38.4 - 52.8	1.6	76.8	0.31	90
PH100A280-48	48	38.4 - 52.8	2.1	100.8	0.4	90
PH150A280-48	48	38.4 - 52.8	3.2	153.6	0.6	90
PH300A280-48	48	28.8 - 57.6	6.3	302.4	1.19	92

(2) At 100% load, 280V input

Outline Drawing (50 - 150W)



Outline Drawing (300W)



Options

Suffix	Description
Blank	M3 tapped mounting inserts
/T	3.3mm non-threaded inserts

For Additional Information, please visit us.tdk-lambda.com/lp/products/pha-series.htm

