



Chipsmall Limited consists of a professional team with an average of over 10 year of expertise in the distribution of electronic components. Based in Hongkong, we have already established firm and mutual-benefit business relationships with customers from,Europe,America and south Asia,supplying obsolete and hard-to-find components to meet their specific needs.

With the principle of “Quality Parts,Customers Priority,Honest Operation,and Considerate Service”,our business mainly focus on the distribution of electronic components. Line cards we deal with include Microchip,ALPS,ROHM,Xilinx,Pulse,ON,Everlight and Freescale. Main products comprise IC,Modules,Potentiometer,IC Socket,Relay,Connector.Our parts cover such applications as commercial,industrial, and automotives areas.

We are looking forward to setting up business relationship with you and hope to provide you with the best service and solution. Let us make a better world for our industry!



Contact us

Tel: +86-755-8981 8866 Fax: +86-755-8427 6832

Email & Skype: info@chipsmall.com Web: www.chipsmall.com

Address: A1208, Overseas Decoration Building, #122 Zhenhua RD., Futian, Shenzhen, China



Broadband VHF Power Module, 13W

30 - 400 MHz

PHA4000-1

V4.00

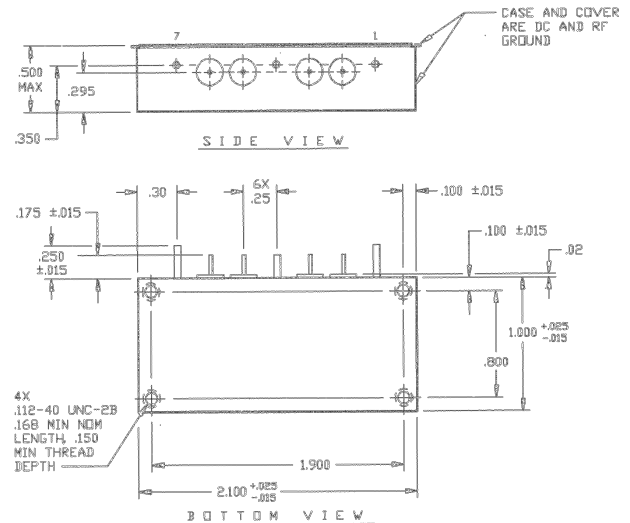
Features

- Broadband Operation 30 to 400 MHz
- 60 dB Gain Control Range
- Thousands of Sets in Use Worldwide
- Optimized for Airborne Environment
- Built to MIL Standards

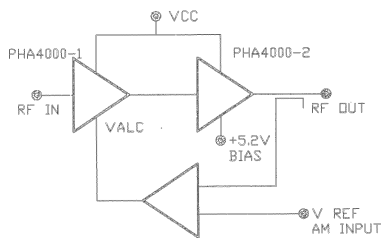
Absolute Maximum Ratings at 25°C¹

Parameter	Absolute Maximum
Supply Voltage	30V
Input Power	0.025W
Output Power	16W
ALC Voltage	-4.0 to +10V
Operating Case Temp.	-30 to +100°C
Storage Temperature	-40 to +125°C

1. Operation of this device outside any of these limits may cause permanent damage.



Application



Pin Configuration

Pin	Description
1	Ground (GP3)
2	RF Input (FT4)
3	V Gain Control (FT3)
4	Ground (GP2)
5	+27 Volts (FT2)
6	RF Output (FT1)
7	Ground (GP1)

Electrical Characteristics at 25°C

Parameter	Symbol	Test Conditions	Units	Min.	Max.
Output Power	P _{OUT}	V _{CC} =27 V, P _{IN} =0.02 W, F=30-88, 116-174, 225-400 MHz	W	13	-
Power Gain	G _P	V _{CC} =27 V, P _{OUT} =13 W, F=30-88, 116-174, 225-400 MHz	dB	28	-
Collector Efficiency	η _C	V _{CC} =27 V, P _{OUT} =13 W, F=30-88, 116-174, 225-400 MHz	%	25	-
Input VSWR	VSWR	V _{CC} =27 V, P _{OUT} =13 W, F=30-88, 116-174, 225-400 MHz	-	-	3:1
Load VSWR Tolerance	VSWR-T	V _{CC} =27 V, P _{OUT} =13 W, F=30-88, 116-174, 225-400 MHz	-	-	2.5:1
Gain Variation With Freq	G _{VAR}	V _{CC} =27 V, P _{OUT} =13 W, F=30-88, 116-174, 225-400 MHz	dB	-	+/-3
Harmonic Output	-	V _{CC} =27 V, P _{OUT} =13 W, F=30-88, 116-174, 225-400 MHz	dBc	-	-15
Spurious Output	S	V _{CC} =27 V, P _{OUT} =13 W, F=30-88, 116-174, 225-400 MHz	dBc	-	-80

Specifications Subject to Change Without Notice.

M/A-COM, Inc.

North America: Tel. (800) 366-2266 ■ Asia/Pacific: Tel. +81 (03) 3226-1671 ■ Europe: Tel. +44 (1344) 869 595
 Fax (800) 618-8883 Fax +81 (03) 3226-1451 Fax +44 (1344) 300 020