

Chipsmall Limited consists of a professional team with an average of over 10 year of expertise in the distribution of electronic components. Based in Hongkong, we have already established firm and mutual-benefit business relationships with customers from,Europe,America and south Asia,supplying obsolete and hard-to-find components to meet their specific needs.

With the principle of “Quality Parts,Customers Priority,Honest Operation,and Considerate Service”,our business mainly focus on the distribution of electronic components. Line cards we deal with include Microchip,ALPS,ROHM,Xilinx,Pulse,ON,Everlight and Freescale. Main products comprise IC,Modules,Potentiometer,IC Socket,Relay,Connector.Our parts cover such applications as commercial,industrial, and automotives areas.

We are looking forward to setting up business relationship with you and hope to provide you with the best service and solution. Let us make a better world for our industry!



Contact us

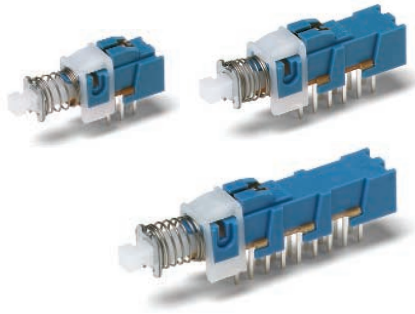
Tel: +86-755-8981 8866 Fax: +86-755-8427 6832

Email & Skype: info@chipsmall.com Web: www.chipsmall.com

Address: A1208, Overseas Decoration Building, #122 Zhenhua RD., Futian, Shenzhen, China

C&K PHA Series Short Stroke Pushbutton Switches

Pushbutton
A



Features/Benefits

- **Momentary or latching action**
- **Low cost, reliable contact design**
- **2, 4 & 6 pole configurations**
- **Sealed contacts**
- **Optional buttons**

Typical Applications

- **Computers and peripherals**
- **Instrumentation and measurement equipment**
- **Non-power, on-off switch applications**

Specifications

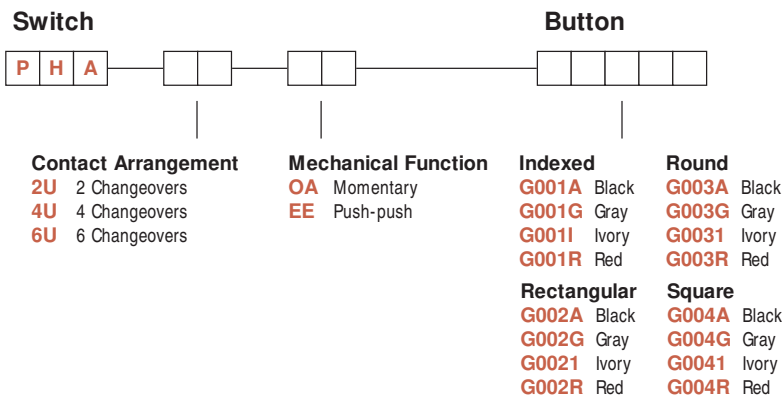
SWITCHING POWER MAX.: 3 W DC
 SWITCHING VOLTAGE MAX.: 30 V DC
 SWITCHING CURRENT MAX.: 100 mA DC
 DIELECTRIC STRENGTH (50 Hz/1 min.): 500 V between open contacts. 1500 V between chassis and contacts.
 OPERATING LIFE: Impulse/momentary (OA): $\sim 10^4$ operations.
 Latching (EE): $\sim 10^4$ operations
 CONTACT RESISTANCE: New: $\approx 20 \text{ m}\Omega$
 After 105 operations: $\approx 40 \text{ m}\Omega$
 INSULATION RESISTANCE: $\sim 10^{10} \Omega$
 CAPACITANCE: $\approx 1.5 \text{ pF}$
 CONTACT BOUNCE: $\approx 2 \text{ ms}$
 Operating speed 200 mm/s (7.87 inch/s)
 TOTAL TRAVEL/LATCHING TRAVEL: 2.5mm/1.5mm
 (.0984 inch/.0591 inch)
 OPERATING FORCE:
 2U: 170cN \pm 50cN (170 grams \pm 50 grams)
 4U: 230cN \pm 70cN (230 grams \pm 70 grams)
 6U: 300cN \pm 100cN (300 grams \pm 100 grams)
 SEALING: Sealed contacts.

Materials

FIXED TERMINAL: Brass, silver plated.
 MOVABLE CONTACT: Phosphor bronze, silver plated.
 SWITCH BODY: PPE
 ACTUATOR: POM
 STANDOFF CLIP: POM
 RETURN SPRING: Music wire.
 RETURN SPRING RETAINER: Carbon steel, tin plated.
 DETENT SPRING PLATE: Phosphor bronze.
 DETENT SPRING: Stainless steel.
 BASE: Laminated phenolic.
 TERMINAL SEAL: Epoxy.
NOTE: Specifications and materials listed above are for switches with standard options. For information on specific and custom switches, consult Customer Service Center.

Build-A-Switch

To order, simply select desired option from each category and place in the appropriate box. Available options are shown and described on pages A-79 thru A-81. For additional options not shown in catalog, consult Customer Service Center.



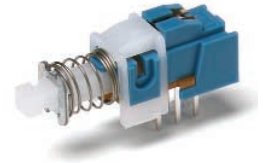
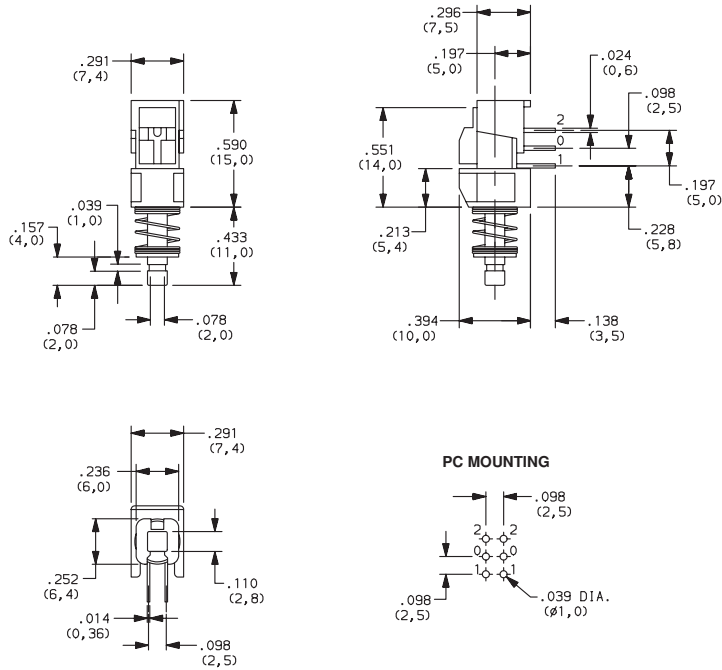
BUTTON REMOVAL

A button of a push-push switch should only be removed in the "OFF" non-latching position.

C&K PHA Series Short Stroke Pushbutton Switches

DESIGNATION

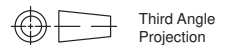
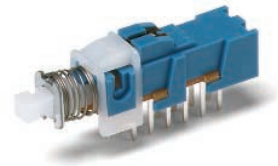
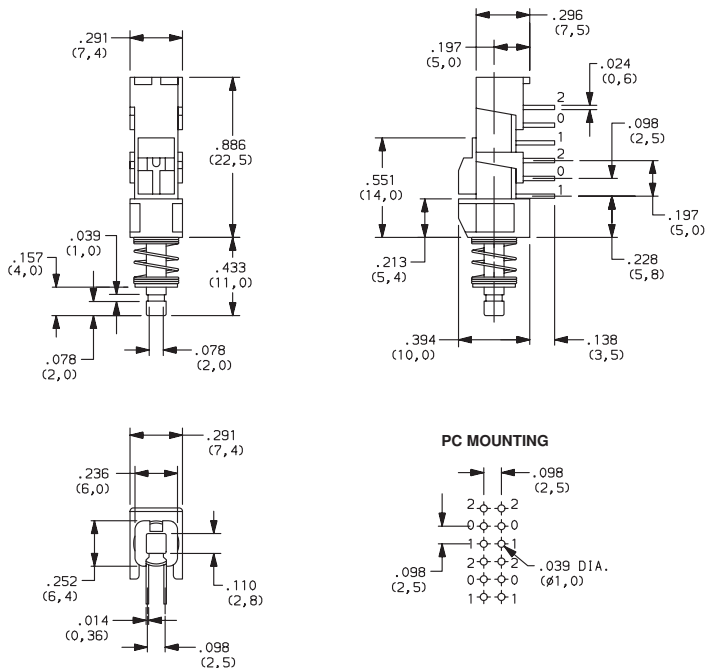
2U 2 CHANGEOVERS



A

Pushbutton

4U 4 CHANGEOVERS



Third Angle
Projection

Dimensions are shown: IN (mm)
Dimensions subject to change

C&K PHA Series Short Stroke Pushbutton Switches

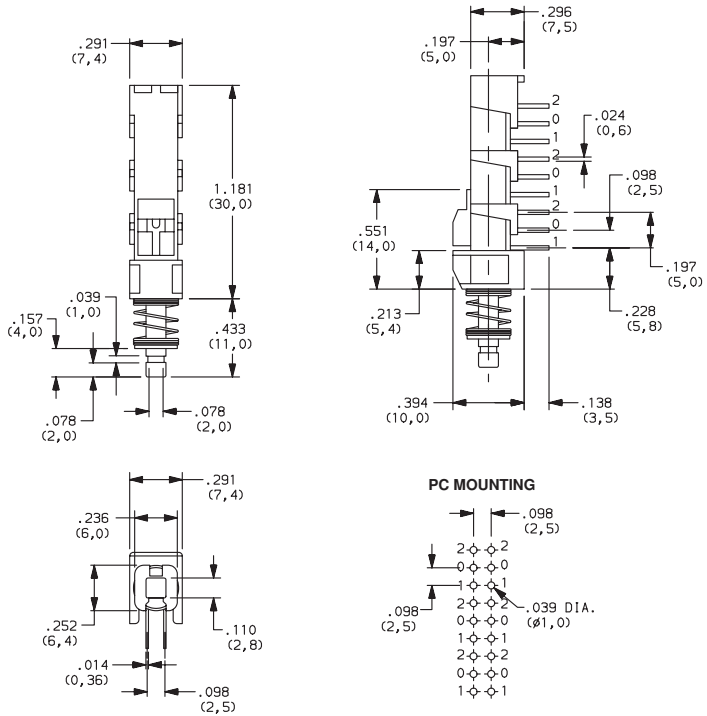
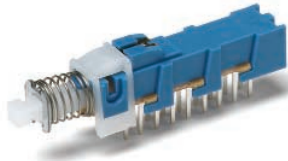


A

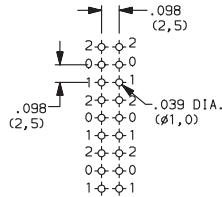
Pushbutton

DESIGNATION

6U 6 CHANGEOVERS



PC MOUNTING



CONTACT ARRANGEMENT

OPTION CODE	NO. OF POLES *	SCHEMATIC
2U	2PDT	
4U	4PDT	2X
6U	6PDT	3X

*Non-shorting contacts.

MECHANICAL FUNCTION

OPTION CODE	FUNCTION
OA	Momentary
EE	Push-push



Third Angle Projection
Dimensions are shown: IN (mm)
Dimensions subject to change

C&K PHA Series Short Stroke Pushbutton Switches

BUTTONS

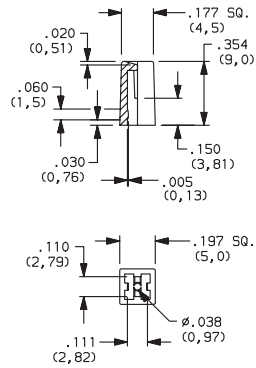


A

Pushbutton

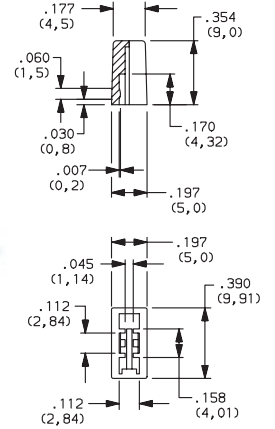
Indexed

- G001A** Black
- G001G** Gray
- G001I** Ivory
- G001R** Red



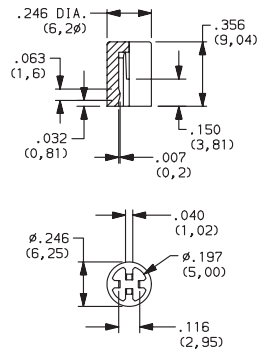
Rectangular

- G002A** Black
- G002G** Gray
- G002I** Ivory
- G002R** Red



Round

- G003A** Black
- G003G** Gray
- G003I** Ivory
- G003R** Red



Square

- G004A** Black
- G004G** Gray
- G004I** Ivory
- G004R** Red

