



Chipsmall Limited consists of a professional team with an average of over 10 year of expertise in the distribution of electronic components. Based in Hongkong, we have already established firm and mutual-benefit business relationships with customers from,Europe,America and south Asia,supplying obsolete and hard-to-find components to meet their specific needs.

With the principle of "Quality Parts,Customers Priority,Honest Operation,and Considerate Service",our business mainly focus on the distribution of electronic components. Line cards we deal with include Microchip,ALPS,ROHM,Xilinx,Pulse,ON,Everlight and Freescale. Main products comprise IC,Modules,Potentiometer,IC Socket,Relay,Connector.Our parts cover such applications as commercial,industrial, and automotives areas.

We are looking forward to setting up business relationship with you and hope to provide you with the best service and solution. Let us make a better world for our industry!



Contact us

Tel: +86-755-8981 8866 Fax: +86-755-8427 6832

Email & Skype: info@chipsmall.com Web: www.chipsmall.com

Address: A1208, Overseas Decoration Building, #122 Zhenhua RD., Futian, Shenzhen, China



PHAP40 series

Momentary or latching action key switches



DISTINCTIVE FEATURES

The smallest latching action switch of the range

Audible "click"

Double pole, double throw

Non-shorting contacts

Molded-in terminals



ELECTRICAL SPECIFICATIONS

- Max. current/voltage rating with resistive load : 100 mA 30 VDC
- Initial contact resistance : 100 mΩ max.
- Insulation resistance : 100 MΩ min. at 500 VDC
- Dielectric strength : 500 Vrms min. (1 min.)
- Electrical life at full load : 10,000 cycles



GENERAL SPECIFICATIONS

- Travel : see next page.
- Wave soldering : 255 °C (491 °F) - 5 secondes max.
- Manual soldering : 300 °C (572 °F) ± 10 °C (50 °F), 3 seconds
- Operating force :
 - Model PHAP4673 : 1.4 N ± 0.5 N
 - Models PHAP4683 and PHAP4383V : 2 N ± 0.5 N
- Operating temperature : -20 °C to +70 °C (-4 °F to +158 °F)



MATERIALS

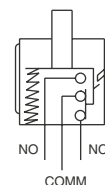
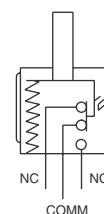
- Case : polyamide
- Actuator : polyamide
- Contacts : brass, silver plated

APEM products may be recycled at end-of-life for the re-claiming of valuable metal components.

The company reserves the right to change specifications without notice.



ELECTRICAL FUNCTIONS



PHAP40 series

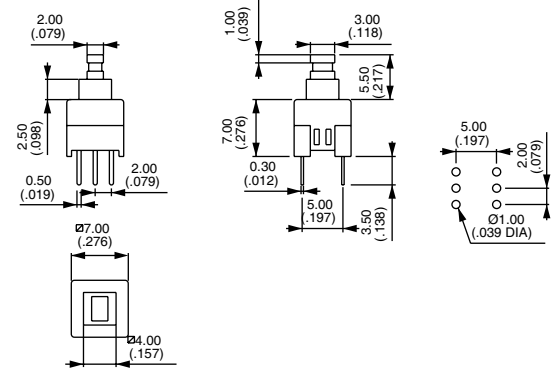
Momentary or latching action key switches

STRAIGHT PC TERMINALS CASE 7 X 7 (.276 X .276)



PHAP4673 ON - ON

Pre-travel : 1 mm (.039) - Total travel : 1.8 mm (.070)

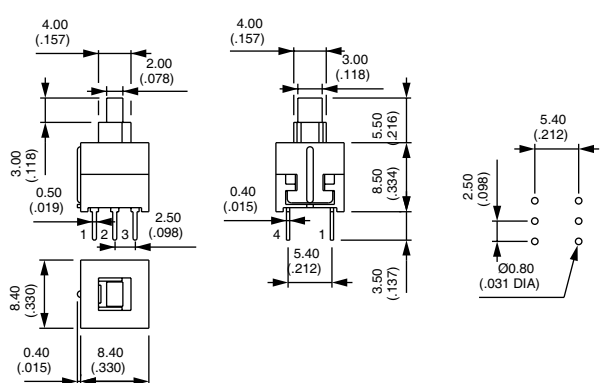


STRAIGHT PC TERMINALS CASE 8.40 X 8.40 (.330 X .330)



		-	
		-	
PHAP4683	ON	-	ON
PHAP4383V *	ON	-	MOM

Total travel : 2.5 mm (.098)
* Audible click



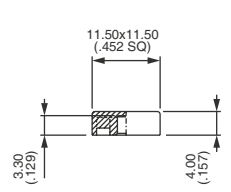
Models with case 6 x 6 mm (.236 x .236) on request.

CAPS

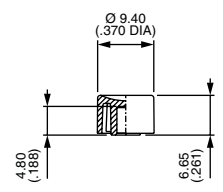
BASIC P/N

For cap colors, replace "0" with number :

- 1 Blue
- 2 Black
- 3 Green
- 4 Grey
- 5 Yellow
- 6 Red
- 7 Ivory
- 7/1 White
- 9 Orange



U4520 Square



U4530