



Chipsmall Limited consists of a professional team with an average of over 10 year of expertise in the distribution of electronic components. Based in Hongkong, we have already established firm and mutual-benefit business relationships with customers from,Europe,America and south Asia,supplying obsolete and hard-to-find components to meet their specific needs.

With the principle of “Quality Parts,Customers Priority,Honest Operation,and Considerate Service”,our business mainly focus on the distribution of electronic components. Line cards we deal with include Microchip,ALPS,ROHM,Xilinx,Pulse,ON,Everlight and Freescale. Main products comprise IC,Modules,Potentiometer,IC Socket,Relay,Connector.Our parts cover such applications as commercial,industrial, and automotives areas.

We are looking forward to setting up business relationship with you and hope to provide you with the best service and solution. Let us make a better world for our industry!



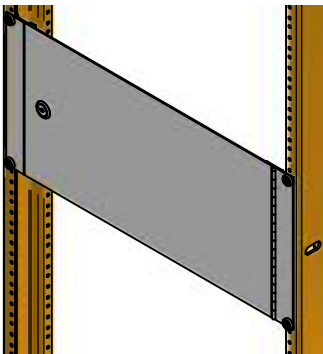
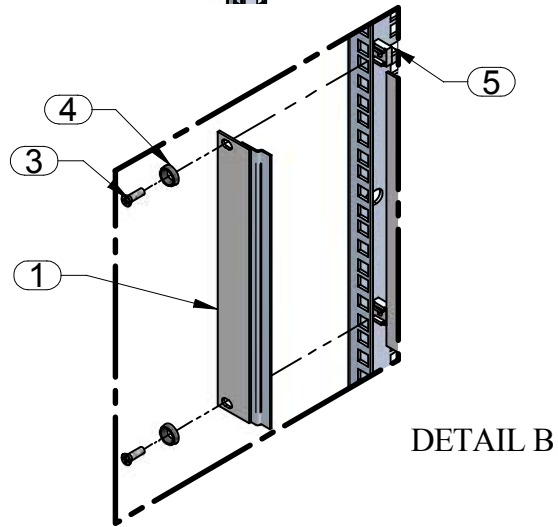
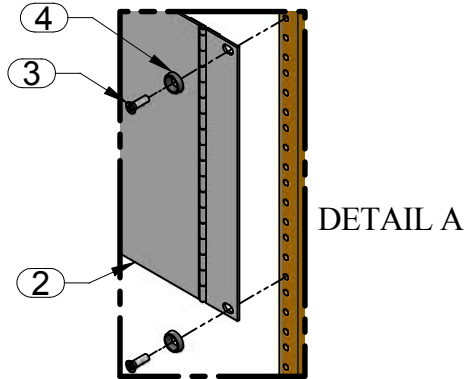
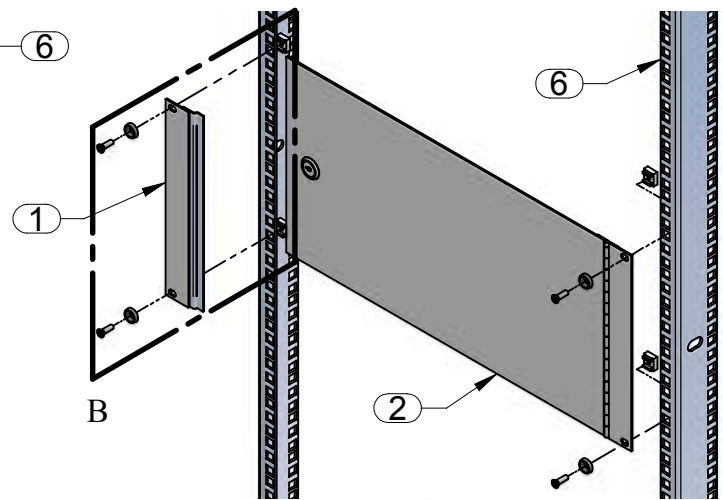
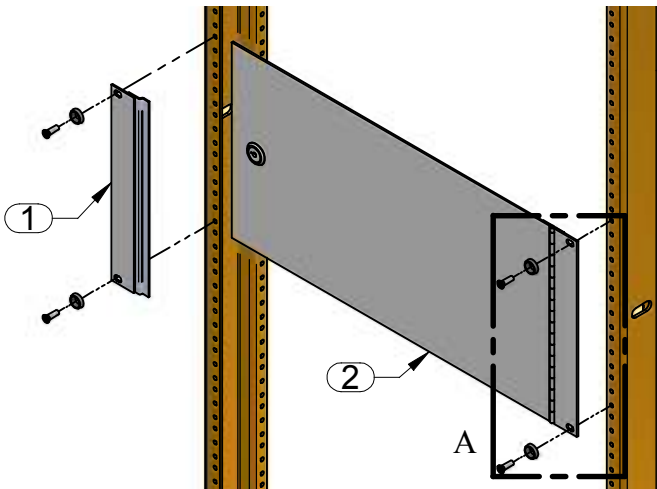
Contact us

Tel: +86-755-8981 8866 Fax: +86-755-8427 6832

Email & Skype: info@chipsmall.com Web: www.chipsmall.com

Address: A1208, Overseas Decoration Building, #122 Zhenhua RD., Futian, Shenzhen, China





COMPLETE ASSEMBLY

ASSEMBLY INSTRUCTIONS:

- A) Select the height at which to mount the hinged flat door panel (items 1 & 2) on the combination rails (item 6).
- B) If mounting rails have square cutouts insert 2 cage nuts (item 5) per rail at desired height for the door panel. This can be done using a cage nut insertion tool. (Detail B)
- C) Start with the doorstop assembly (item 1). Line up the mounting slots of the doorstop assembly with the holes on the combination rail (item 6). Secure with screws and washers (items 3 & 4) purchased for the combination rails (items 6). (Detail A & B)
- D) Once the doorstop assembly is secure. Mount and fasten the hinged door panel (item 2) by following instruction in step C.

PARTS LIST

ITEM No.	DESCRIPTION	QTY
1	DOOR STOP ASSEMBLY	1
2	HINGED DOOR PANEL	1
3	SCREWS (NOT INCLUDED)	4
4	WASHERS (NOT INCLUDED)	4
5	CAGE NUTS (NOT INCLUDED)	4
6	COMBINATION RAILS (NOT INCLUDED)	2

TOOL BOX



#2 Phillips Head
Screw Driver

