



Chipsmall Limited consists of a professional team with an average of over 10 year of expertise in the distribution of electronic components. Based in Hongkong, we have already established firm and mutual-benefit business relationships with customers from,Europe,America and south Asia,supplying obsolete and hard-to-find components to meet their specific needs.

With the principle of “Quality Parts,Customers Priority,Honest Operation,and Considerate Service”,our business mainly focus on the distribution of electronic components. Line cards we deal with include Microchip,ALPS,ROHM,Xilinx,Pulse,ON,Everlight and Freescale. Main products comprise IC,Modules,Potentiometer,IC Socket,Relay,Connector.Our parts cover such applications as commercial,industrial, and automotives areas.

We are looking forward to setting up business relationship with you and hope to provide you with the best service and solution. Let us make a better world for our industry!



## Contact us

Tel: +86-755-8981 8866 Fax: +86-755-8427 6832

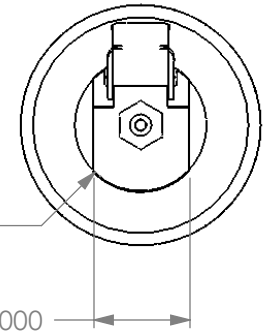
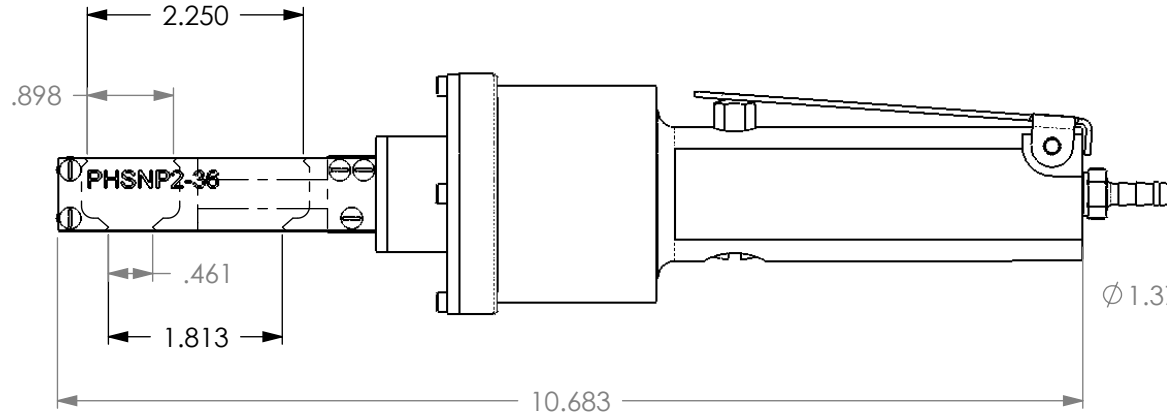
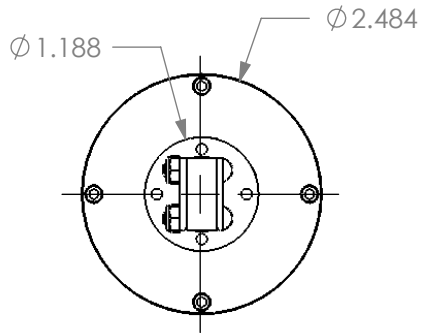
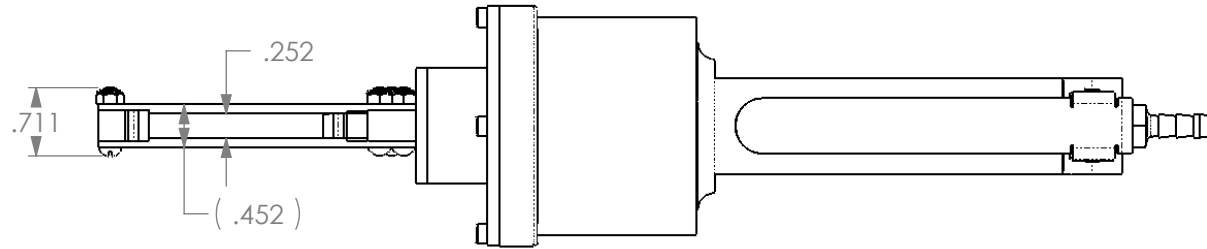
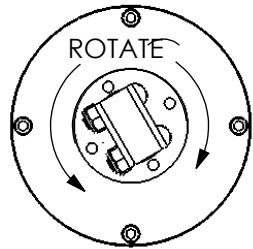
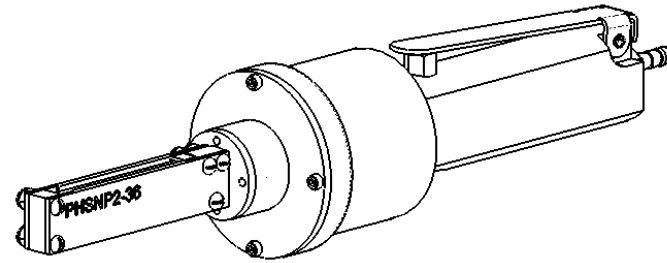
Email & Skype: info@chipsmall.com Web: www.chipsmall.com

Address: A1208, Overseas Decoration Building, #122 Zhenhua RD., Futian, Shenzhen, China



NOTE:

1. MAXIMUM AIR PRESSURE 100 PSI (6.9 BAR)
2. TOOL INSTALL A RANGE OF SNAPPER HOSE CLAMPS FROM SNP2 THRU SNP36.



INVENTORS

**HellermannTyton**®

Cable Management Products

ALL PROPRIETARY RIGHTS IN THE SUBJECT MATTER SHOWN ON THIS DRAWING ARE EXCLUSIVE PROPERTY OF HELLERMANNTYTON

name	date	city, state
X. XXXXXXXXXXX	XX/XX/XX	XXXXXXXX, WI.

REVISION

D level	
AW by	CML
IN date	11/03/99
NG ECN #	001545
part level	A

DIMENSIONS

HELLERMANNTYTON	.XXXX = ±.0005/[±.013]
	.XXX = ±.005/[±.13]
	.XX = ±.01/[±.3]
	.X = ±.03/[±.8]
	∠ = ±0.5°
	unless otherwise specified
units	inches / [mm]

PART

number	PHSNP2-36	phase	PRODUCTION
CUSTOMER DRAWING PHSNP 2-36			
material			

DRAWING

format	version M	AH	CAD	SW	scale	1:2
computer file number	TS2013135CST_A		previous number			
drawn	CML	checked	approved			
	11/03/99					
type	CUSTOMER			sheet 1 of 1		
number	TS2013135CST					