



Chipsmall Limited consists of a professional team with an average of over 10 year of expertise in the distribution of electronic components. Based in Hongkong, we have already established firm and mutual-benefit business relationships with customers from,Europe,America and south Asia,supplying obsolete and hard-to-find components to meet their specific needs.

With the principle of “Quality Parts,Customers Priority,Honest Operation,and Considerate Service”,our business mainly focus on the distribution of electronic components. Line cards we deal with include Microchip,ALPS,ROHM,Xilinx,Pulse,ON,Everlight and Freescale. Main products comprise IC,Modules,Potentiometer,IC Socket,Relay,Connector.Our parts cover such applications as commercial,industrial, and automotives areas.

We are looking forward to setting up business relationship with you and hope to provide you with the best service and solution. Let us make a better world for our industry!



## Contact us

Tel: +86-755-8981 8866 Fax: +86-755-8427 6832

Email & Skype: info@chipsmall.com Web: www.chipsmall.com

Address: A1208, Overseas Decoration Building, #122 Zhenhua RD., Futian, Shenzhen, China



## PI2EQX5904

### 5.0Gbps, 4-Lane PCIe® 2.0 ReDriver™ with Equalization and Emphasis

Pericom Semiconductor's PI2EQX5904 (or 5964) is a low power, PCIe® compliant signal redriver also suitable for other high speed serial signals such as serdes backplane and non protocol specific protocols. The device provides programmable equalization, amplification, and de-emphasis by using 8 select bits to optimize performance over a variety of physical mediums by reducing Inter-signal interference.

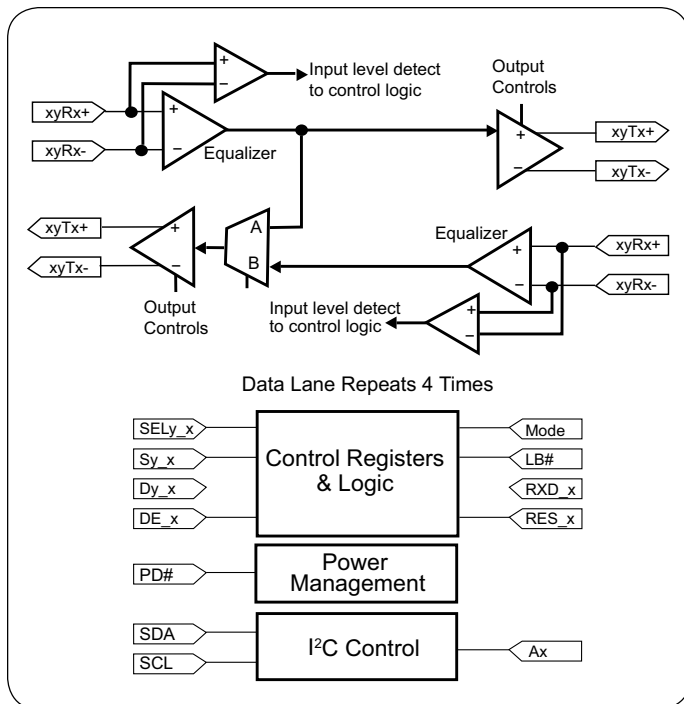
PI2EQX 5904 supports eight 100Ω Differential CML data I/O's between the Protocol ASIC to a switch fabric, across a backplane, or extends the signal across other distant data pathways on the user platform. PI2EQX5904 compensates signal insertion loss at designated BER issued by PCIe2.0 endpoint device.

The integrated equalization circuitry provides flexibility with the signal integrity of the PCIe signal before the ReDriver, whereas the integrated de-emphasis circuitry provides flexibility with signal integrity of the signal after the ReDriver.

In addition to providing signal re-conditioning, Pericom's PI2EQX5904 also provides power management Stand-by mode operated by a Power Down pin.

Target markets for this ReDriver are networking, embedded, industrial, server and storage applications, including non-protocol-specific and high-speed signal applications.

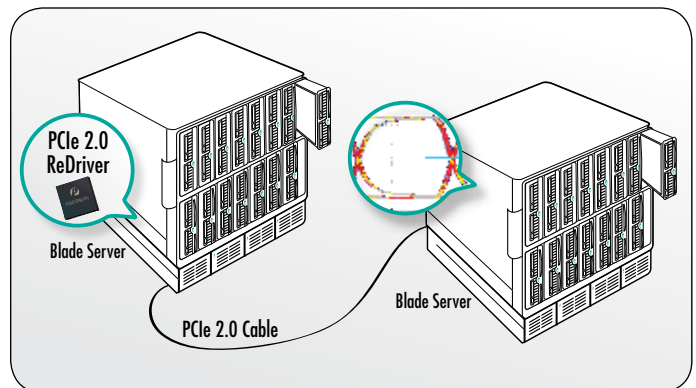
### Block Diagram



### Features

- Up to 5.0Gbps PCIe® 2.0 Serial ReDriver™
- Supporting 8 differential channels or 4 lanes of PCIe interface
- Pin Strapped and I²C configuration control (3.3V tolerant I²C)
- Adjustable receiver equalization
- Adjustable transmitter amplitude and De-emphasis
- Increased output drive for longer trace and cable applications
- Variable input and output termination
- 1:2 channel broadcast
- Channel Loop-back/Mux and Demux Mode
- Low Power: 660mW, Typical
- Electrical Idle fully supported
- Receiver detect and individual output control
- Single supply voltage, 1.2V ±0.05V
- Power down modes
- Industrial Temp Support, -40°C ~ +85°C
- Packaging (Pb-free & Green): 100-contact LBGAs

Figure 1



Redrivers with emphasis and equalization signal conditioning technology ensure the integrity of high-frequency PCIe signals by opening closed signal eyes to recover data and meet strict compliance testing requirements. Increased signal margin also supports longer drive lengths over even low-quality cables.