



Chipsmall Limited consists of a professional team with an average of over 10 year of expertise in the distribution of electronic components. Based in Hongkong, we have already established firm and mutual-benefit business relationships with customers from,Europe,America and south Asia,supplying obsolete and hard-to-find components to meet their specific needs.

With the principle of "Quality Parts,Customers Priority,Honest Operation,and Considerate Service",our business mainly focus on the distribution of electronic components. Line cards we deal with include Microchip,ALPS,ROHM,Xilinx,Pulse,ON,Everlight and Freescale. Main products comprise IC,Modules,Potentiometer,IC Socket,Relay,Connector.Our parts cover such applications as commercial,industrial, and automotives areas.

We are looking forward to setting up business relationship with you and hope to provide you with the best service and solution. Let us make a better world for our industry!



## Contact us

Tel: +86-755-8981 8866 Fax: +86-755-8427 6832

Email & Skype: info@chipsmall.com Web: www.chipsmall.com

Address: A1208, Overseas Decoration Building, #122 Zhenhua RD., Futian, Shenzhen, China



# PI2SSD3212

1.35V/ 1.5V/1.8V 14 bit 2:1 SSD Switch

## Description

This 14-bit SSD switch is designed for 1.35V/ 1.5V/ 1.8V supply voltage, POD\_12, SSTL\_135, SSTL\_15 or SSTL\_18 signaling and CMOS select input signals. It is designed for DDR2 or DDR3 memory bus with speed up to 5Gbps. It supports DDR3 1866 Mbps.

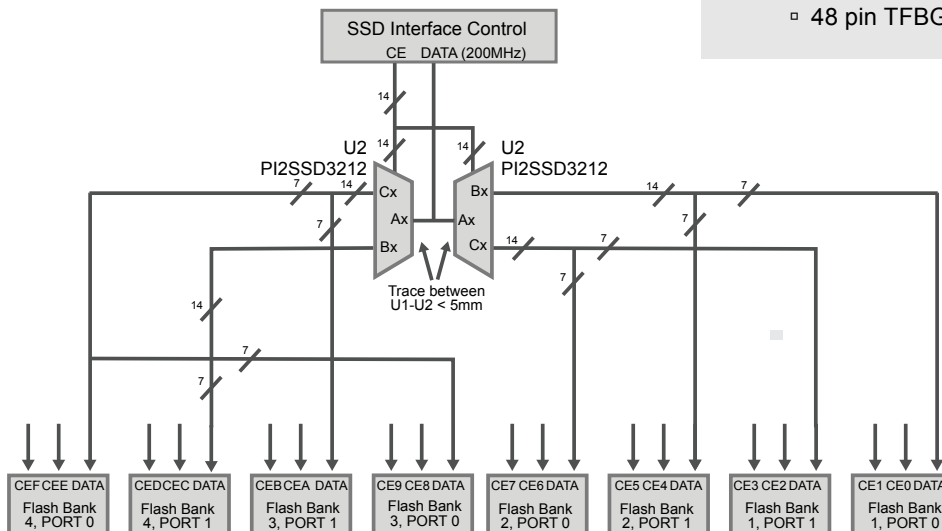
PI2SSD3212 has a 1:2 demux or 2:1 mux topology. All 14-bit channels can be switched to one of the two ports simultaneously with the SEL input. This device also allows all ports to be disconnected.

PI2SSD3212 uses Pericom's proprietary high speed switch technology providing consistent high bandwidth across all channels, with very little insertion loss, cross-talk, and bit to bit skew. It is available in a 52-pin TQFN 3.5x9x0.4mm package and 48-pin TFBGA 4.5x4.5x0.8mm package.

## Applications

- DDR3/DDR4 Memory Bus System
- SSD Memory Bus System
- Flash Memory Array
- sub system
- High Speed multiplexing
- NVDIMM Module

## Application Diagram



## Features

- 14 bit 2:1 switch that supports high speed ONFI DDR3 800 2133 Mbps
- VDD 1.35V/ 1.5V/ 1.8V
- Flow through pinout option for easy layout
- SEL and Global Enable
- 110  $\mu$ A typ. operating current at 1.35V VDD.
- High impedance and low Coff channel output when disabled or deselected
- Low RON: 8 $\Omega$  typical
- 3dB Bandwidth: 3.3GHz
- Low insertion loss: -0.7dB ( $0 \leq f \leq 1$  GHz)
- Low return loss: -23dB ( $0 \leq f \leq 1$  GHz)
- Low cross-talk for high speed channels: -25dB typ. ( $0 < f < 2$ GHz)
- High off-isolation: -28dB ( $0 \leq f \leq 1$  GHz)
- Low bit-to-bit skew 20ps Max
- ESD: 2KV HBM
- POD\_12, SSTL\_12, SSTL\_135, SSTL\_15 or SSTL\_18 signaling
- Packaging (Pb-free and Green)
  - 52 pin TQFN (3.5x9x0.4mm)
  - 48 pin TFBGA (4.5x4.5x0.8mm)