



Chipsmall Limited consists of a professional team with an average of over 10 year of expertise in the distribution of electronic components. Based in Hongkong, we have already established firm and mutual-benefit business relationships with customers from,Europe,America and south Asia,supplying obsolete and hard-to-find components to meet their specific needs.

With the principle of "Quality Parts,Customers Priority,Honest Operation,and Considerate Service",our business mainly focus on the distribution of electronic components. Line cards we deal with include Microchip,ALPS,ROHM,Xilinx,Pulse,ON,Everlight and Freescale. Main products comprise IC,Modules,Potentiometer,IC Socket,Relay,Connector.Our parts cover such applications as commercial,industrial, and automotives areas.

We are looking forward to setting up business relationship with you and hope to provide you with the best service and solution. Let us make a better world for our industry!



Contact us

Tel: +86-755-8981 8866 Fax: +86-755-8427 6832

Email & Skype: info@chipsmall.com Web: www.chipsmall.com

Address: A1208, Overseas Decoration Building, #122 Zhenhua RD., Futian, Shenzhen, China



Small Plastic Package, Dual SPDT Analog Switch
Features

- CMOS Technology for Bus and Analog Applications
- Low On-Resistance: 0.6Ω.
- Wide V_{CC} Range: 2.7V to 4.2V ±10%
- Rail-to-Rail Signal Range
- High Off Isolation: -75dB @ 100kHz
- Crosstalk Rejection Reduces Signal Distortion: -90dB @ 100kHz
- Break-Before-Make Switching
- Extended Industrial Temperature Range: -40°C to 85°C
- Packaging (Pb-free & Green): 10-contact TQFN (ZL10)

Applications

- Cell Phones
- PDAs
- MP3 players
- Portable Instrumentation
- Computer Peripherals
- Speaker Headset Switching
- Power Routing
- Relay Replacement
- Audio and Video Signal Routing
- PCMCIA Cards
- Modems

Pin Description

| Pin # | Name | Description |
|-------|------------------|-----------------------------|
| 5, 2 | NO _X | Data Port (Normally open) |
| 3 | GND | Ground |
| 10, 7 | NC _X | Data Port (Normally closed) |
| 6, 1 | COM _X | Common Output / Data Port |
| 9 | V _{CC} | Positive Power Supply |
| 4, 8 | IN _X | Logic Control |

Logic Function Table

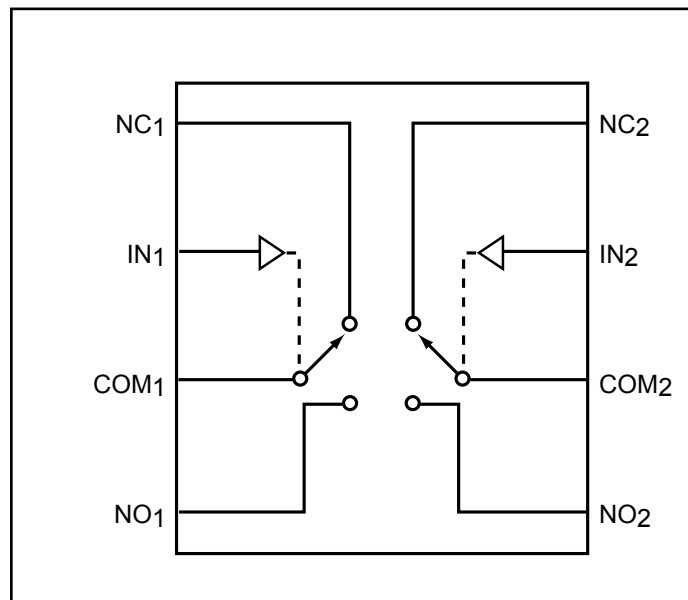
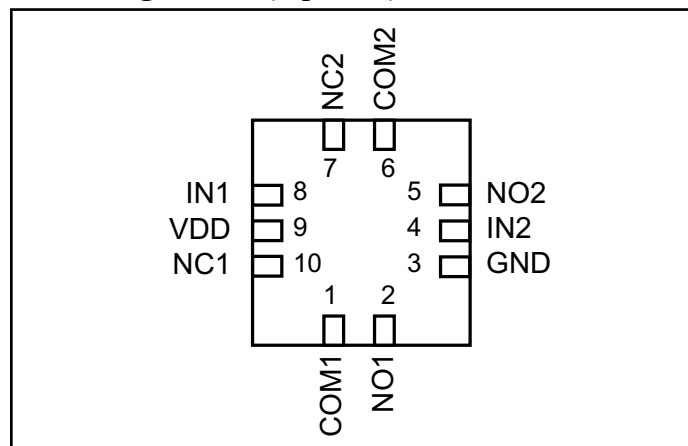
| Logic Input (IN _X) | Function |
|--------------------------------|---|
| 0 | NC _X Connected to COM _X |
| 1 | NO _X Connected to COM _X |

Note: x = 1 or 2

Description

Pericom Semiconductor's PI3A212 is a dual high-bandwidth, fast single-pole double throw (SPDT) CMOS switch. It can be used as an analog switch or as a low-delay bus switch. Specified over a wide operating power supply voltage, 2.7V to 4.2V, the PI3A212 has an On-Resistance of 0.6Ω at +2.7V.

Break-before-make switching prevents both switches being enabled simultaneously. This eliminates signal disruption during switching.

Functional Block Diagram

Pin Configuration (top view)


Absolute Maximum Ratings⁽¹⁾

| | |
|---|--------------------------|
| Supply Voltage V_{CC} | -0.5V to 4.6V |
| DC Switch Voltage (V_S) ⁽²⁾ | -0.5V to $V_{CC} + 0.5V$ |
| DC Input Voltage (V_{IN}) ⁽²⁾ | -0.5V to 4.6V |
| Continuous Current NO_NC_COM_ | ±300mA |
| Peak Current NO_NC_COM_ (pulsed at 1ms 50% duty cycle) | ±400mA |
| Peak Current NO_NC_COM_ (pulsed at 1ms 10% duty cycle) | ±500mA |
| Storage Temperature Range (T_{STG}) | -65°C to +150°C |
| Junction Temperature under Bias (T_J) | 150°C |
| Junction Lead Temperature (T_L) (Soldering, 10 seconds) | 260°C |
| Power Dissipation (P_D) @ +85°C | 250mW |

Recommended Operating Conditions⁽³⁾

| | |
|---|-------------------|
| Supply Voltage Operating (V_{CC}) | 2.7V to 4.2V ±10% |
| Control Input Voltage (V_{IN}) | 0V to V_{CC} |
| Switch Input Voltage (V_{IN}) | -0.3V to V_{CC} |
| Output Voltage (V_{OUT}) | 0V to V_{CC} |
| Operating Temperature (T_A) | -40°C to +85°C |
| Input Rise and Fall Time (t_r, t_f) | |
| Control Input $V_{CC} = 2.3V - 3.6V$ | 0ns/V to 10ns/V |
| Thermal Resistance (θ_{JA}) | 350°C/W |
| Lead Temperature (soldering 10s) | +300°C |
| Bump Temperature (soldering notes) | |
| Infrared (15s) | +220°C |
| Vapor Phase (60ns) | +215°C |

Notes:

1. "Absolute Maximum Ratings" may cause permanent damage to the device. This is a stress only rating and operation of the device at these or any other conditions beyond those indicated in the operational sections of this specification is not implied.
2. The input and output negative voltage ratings may be exceeded if the input and output diode current ratings are observed.
3. Control input must be held HIGH or LOW; it must not float.

DC Electrical Characteristics +3V Supply

 ($V_{CC} = 2.7V$ to $3.3V$, $T_A = -40^{\circ}C$ to $85^{\circ}C$, unless otherwise noted. Typical values are at $3V$ and $+25^{\circ}C$.)

| Parameter | Symbol | Test Conditions | Min. | Typ. | Max. | Units |
|--------------------------------------|--------------------------------|--|------|------|----------|----------|
| Analog Switch | | | | | | |
| Analog Signal Range | V_{NO}, V_{NC}, V_{COM} | | -0.3 | | V_{CC} | V |
| NC On-Resistance | $R_{ON(NC)}$ | $V_{CC} = 2.7V, I_{COM} = 100mA,$ $V_{NC} = 0$ to V_{CC} | | 0.6 | 0.8 | Ω |
| NO On-Resistance | $R_{ON(NO)}$ | $V_{CC} = 2.7V, I_{COM} = 100mA,$ $V_{NO} = 0$ to V_{CC} | | 0.6 | 0.8 | |
| On-Resistance Match Between Channels | ΔR_{ON} | $V_{CC} = 2.7V, I_{COM} = 100mA,$ V_{NO} or $V_{NC} = 1.5V$ | | 0.01 | 0.06 | |
| NC On-Resistance Flatness | $R_{ONF(NC)}$ | $V_{CC} = 2.7V, I_{COM} = 100mA,$ $V_{NC} = 0$ to V_{CC} | | | 0.2 | |
| NO On-Resistance Flatness | $R_{ONF(NO)}$ | $V_{CC} = 2.7V, I_{COM} = 100mA,$ $V_{NO} = 0$ to V_{CC} | | | 0.2 | |
| NO or NC Off Leakage Current | $I_{OFF(NO)}$ or $I_{OFF(NC)}$ | $V_{CC} = 3.3V, V_{NO}$ or $V_{NC} = 3V, 0.3V,$ $V_{COM} = 0.3V, 3V$ | -400 | | 400 | |
| COM On Leakage Current | $I_{COM(ON)}$ | $V_{CC} = 3.3V, V_{NO}$ or $V_{NC} = 3V, 0.3V,$ $V_{COM} = 3V, 0.3V,$ or floating | -160 | | 160 | |
| Digital I/O | | | | | | |
| Input Logic High | V_{IH} | | 1.3 | | | V |
| Input Logic Low | V_{IL} | | | | 0.6 | |
| Input Hysteresis | V_H | $V_{CC} = 3.3V$ | | 100 | | mV |
| IN Input Leakage Current | I_{IN} | $V_{IN} = 0$ or V_{CC} | -0.5 | | 0.5 | μA |
| Supply Current | I_{CC} | $V_{CC} = 3.6V, V_{IN} = 0$ or V_{CC} | | 100 | 250 | nA |

Switch and AC Characteristics

| Parameter | Symbol | Test Conditions | Min. | Typ. | Max. | Units |
|-------------------------|-------------------|---|------|------|------|-------|
| Turn-On Time | t _{ON} | V _{CC} = 2.7V, V _{NO} or V _{NC} = 1.5V, R _L = 50Ω, C _L = 35pF, <i>See Test Circuit Figure 1 & 2.</i> | | 15 | 25 | ns |
| Turn-Off Time | t _{OFF} | V _{CC} = 2.7V, V _{NO} or V _{NC} = 1.5V, R _L = 50Ω, C _L = 35pF, <i>See Test Circuit Figure 1 & 2.</i> | | 4 | 10 | |
| Break-Before-Make Delay | t _{BBM} | V _{CC} = 2.7V, V _{NO} or V _{NC} = 1.5V, R _L = 50Ω, C _L = 35pF, <i>See Test Circuit Figure 3.</i> | | | 20 | |
| Charge Injection | Q | COM = 0, R _S = 0, C _L = 1nF, <i>See Test Circuit Figure 4.</i> | | 55 | | pC |
| Off-Isolation | O _{IRR} | C _L = 5pF, R _L = 50Ω, f = 100kHz, V _{COM} = 1 V _{RMS} , <i>See Test Circuit Figure 5.</i> | | -75 | | dB |
| Crosstalk | X _{TALK} | C _L = 5pF, R _L = 50Ω, f = 100kHz, V _{COM} = 1 V _{RMS} , <i>See Test Circuit Figure 6.</i> | | -90 | | |
| 3dB Bandwidth | f _{3dB} | <i>See Test Circuit Figure 9.</i> | | 60 | | MHz |

Capacitance

| Parameter | Symbol | Test Conditions | Min. | Typ. | Max. | Units |
|--------------------|-----------------------|---|------|------|------|-------|
| NC Off Capacitance | C _{NC (OFF)} | f = 1MHz, <i>See Test Circuit Figure 7.</i> | | 35 | | pF |
| NO Off Capacitance | C _{NO (OFF)} | f = 1MHz, <i>See Test Circuit Figure 7.</i> | | 35 | | |
| NC On Capacitance | C _{NC (ON)} | f = 1MHz, <i>See Test Circuit Figure 8.</i> | | 95 | | |
| NO On Capacitance | C _{NO (ON)} | f = 1MHz, <i>See Test Circuit Figure 8.</i> | | 95 | | |

Test Circuits and Timing Diagrams

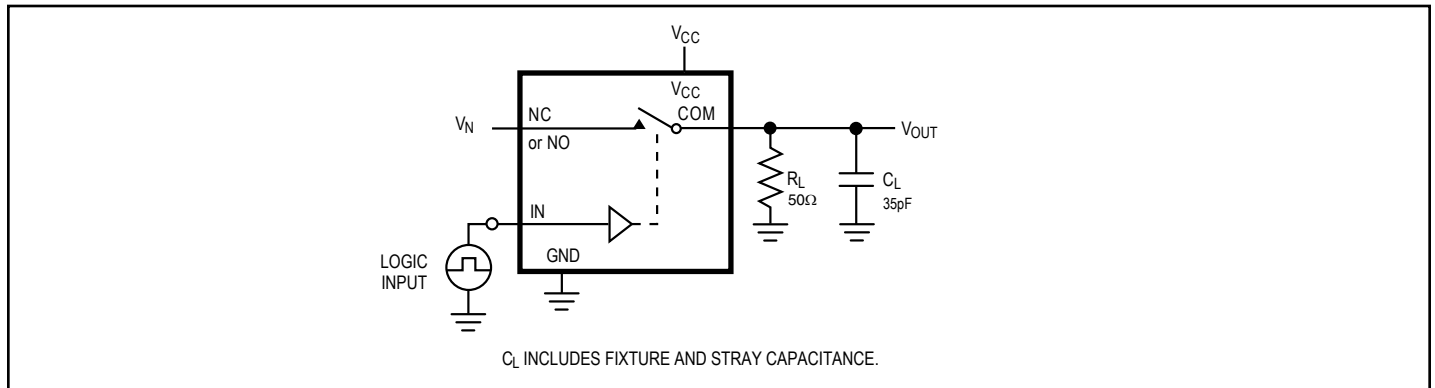


Figure 1. AC Test Circuit

Notes:

1. Unused input (NC or NO) must be grounded.

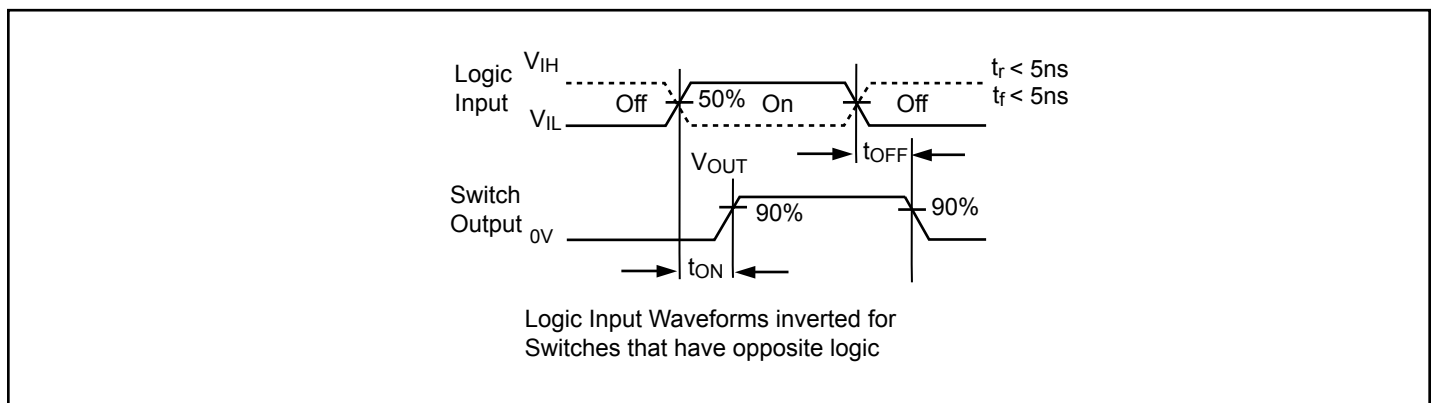


Figure 2. AC Waveforms

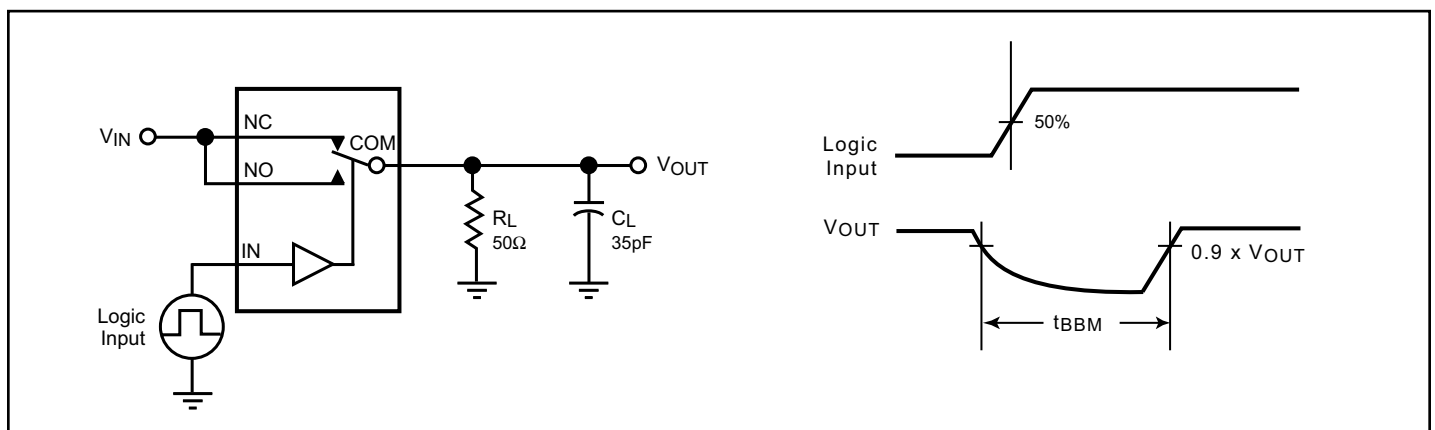


Figure 3. Break Before Make Interval Timing

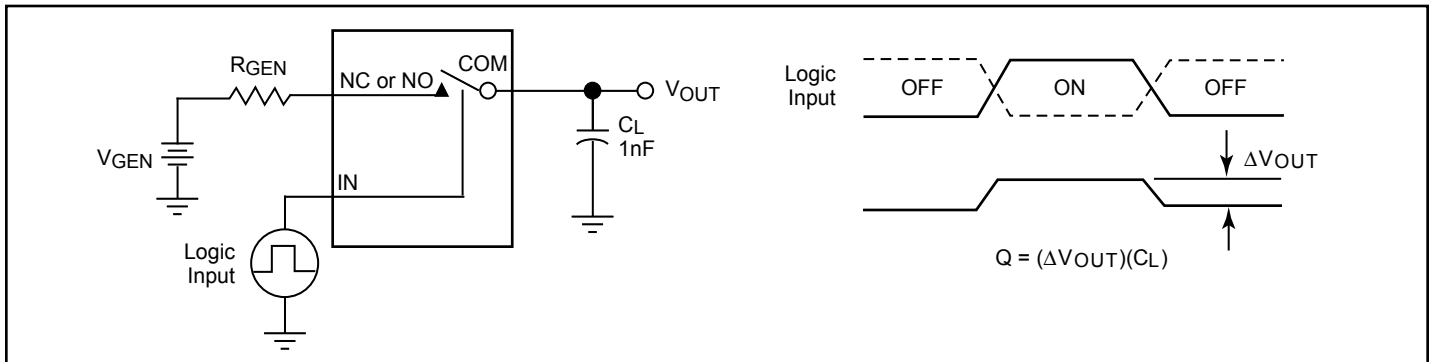


Figure 4. Charge Injection Test

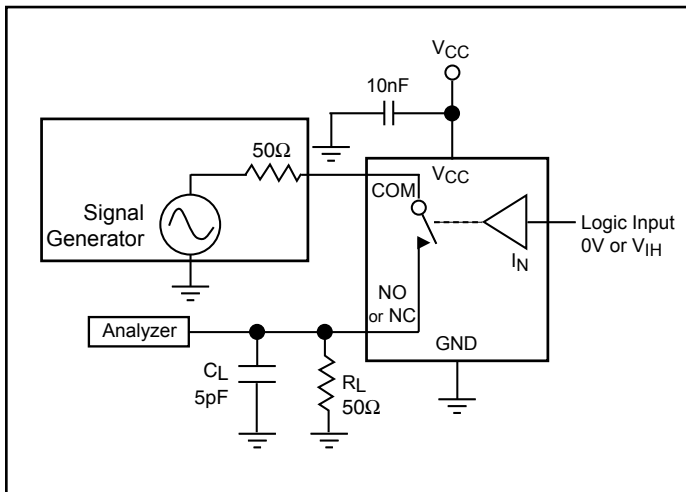


Figure 5. Off Isolation

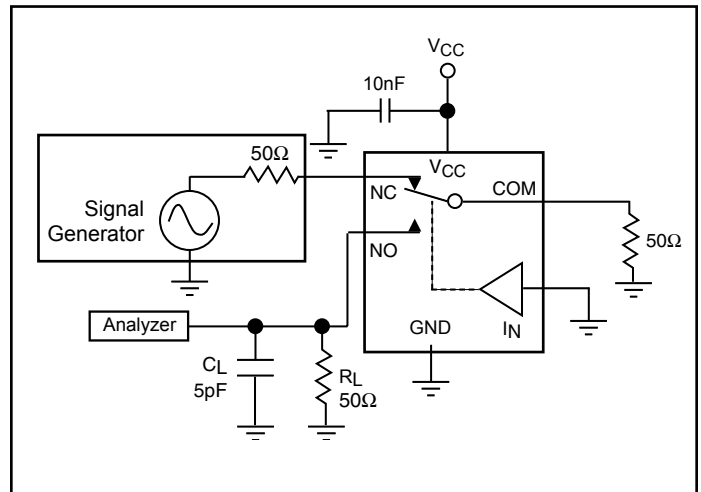


Figure 6. Crosstalk

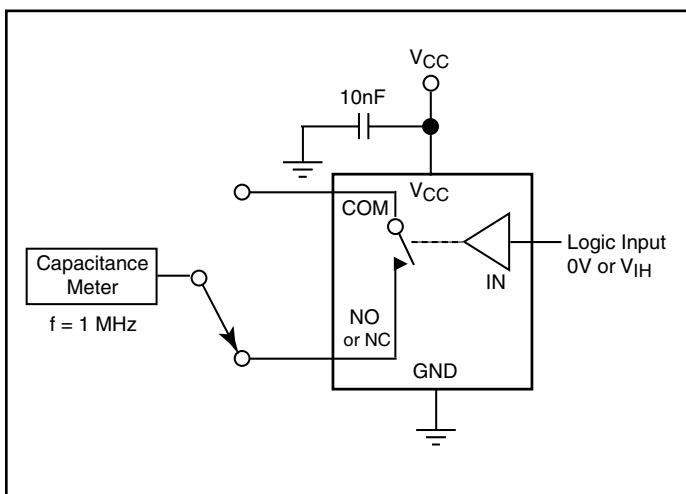


Figure 7. Channel Off Capacitance

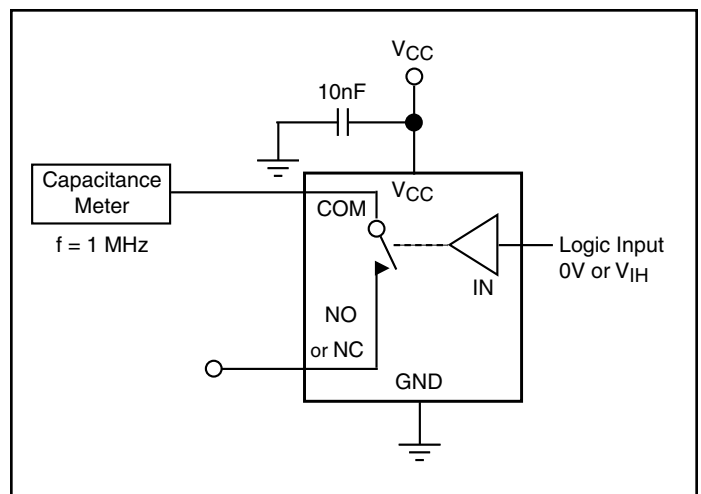


Figure 8. Channel On Capacitance

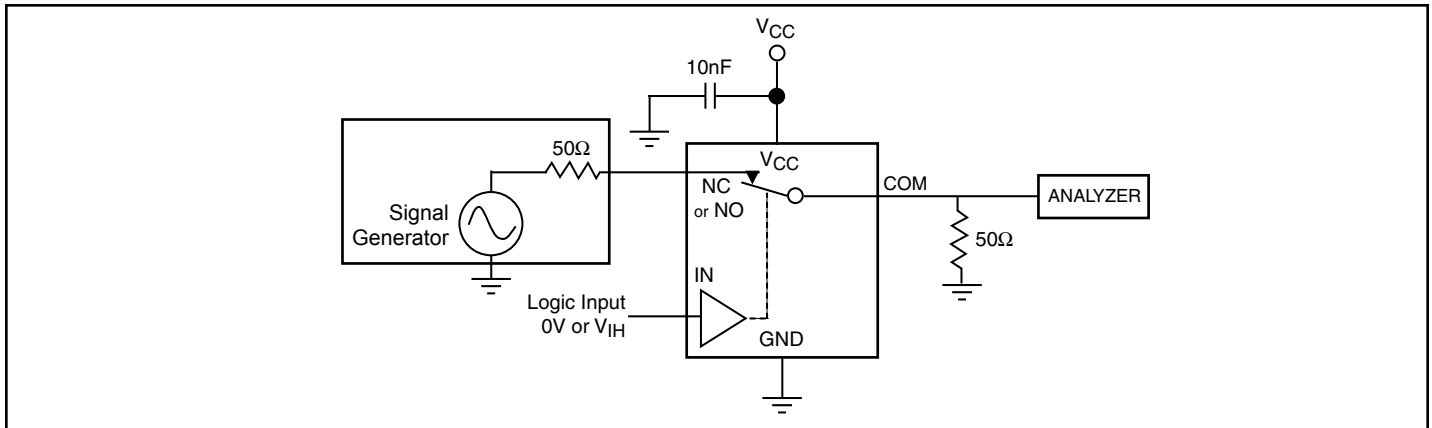
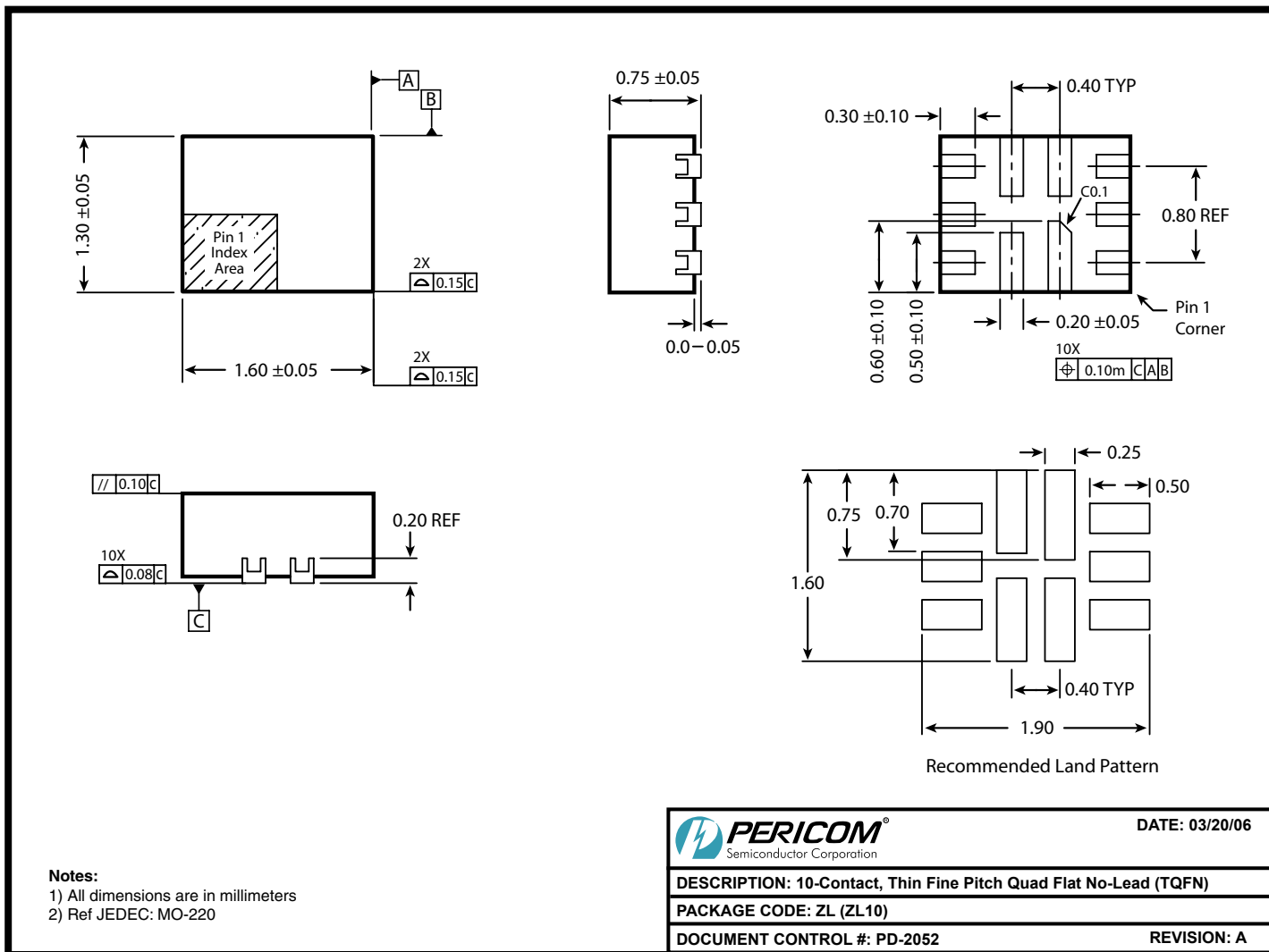


Figure 9. Bandwidth



Ordering Information

| Ordering Code | Packaging Code | Package Type | Top Mark |
|---------------|----------------|----------------------------------|----------|
| PI3A212ZLEX | ZL | Pb-free & Green, 10-contact TQFN | 2A |

Notes:

- Thermal characteristics can be found on the company web site at www.pericom.com/packaging/
- E = Pb-free & Green
- X suffix = Tape/Reel