



Chipsmall Limited consists of a professional team with an average of over 10 year of expertise in the distribution of electronic components. Based in Hongkong, we have already established firm and mutual-benefit business relationships with customers from,Europe,America and south Asia,supplying obsolete and hard-to-find components to meet their specific needs.

With the principle of “Quality Parts,Customers Priority,Honest Operation,and Considerate Service”,our business mainly focus on the distribution of electronic components. Line cards we deal with include Microchip,ALPS,ROHM,Xilinx,Pulse,ON,Everlight and Freescale. Main products comprise IC,Modules,Potentiometer,IC Socket,Relay,Connector.Our parts cover such applications as commercial,industrial, and automotives areas.

We are looking forward to setting up business relationship with you and hope to provide you with the best service and solution. Let us make a better world for our industry!



Contact us

Tel: +86-755-8981 8866 Fax: +86-755-8427 6832

Email & Skype: info@chipsmall.com Web: www.chipsmall.com

Address: A1208, Overseas Decoration Building, #122 Zhenhua RD., Futian, Shenzhen, China



PI3DDR4212

1.8V/ 2.5V/ 3.3V 12 bit 2:1 DDR3/DDR4 Switch

Description

This 12-bit DDR3/DDR4 switch is designed for 1.8V/ 2.5V/ 3.3V supply voltage, POD_12, SSTL_12 and SSTL_15 signaling and CMOS select input signals. It is designed for DDR3 or DDR4 memory bus with speed up to 5Gbps. It supports DDR4 1600~4266 Mbps transfer rate.

PI3DDR4212 has a 1:2 demux or 2:1 mux topology. All 2-bit channels can be switched to one of the two ports simultaneously with the SEL input. This device also allows all ports to be disconnected.

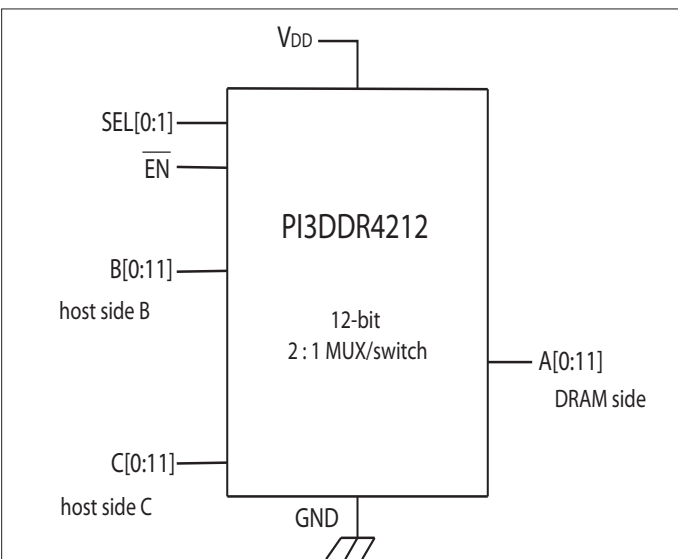
PI3DDR4212 uses Pericom's proprietary high speed switch technology providing consistent high bandwidth across all channels, with very little insertion loss, cross-talk, and bit to bit skew.

It is available in 48-pin TFBGA 3x8x1mm package. The 48-pin version is pin compatible with CBTU24DD2/CBTV24DD2.

Applications

- DDR4 Memory Bus System
- NVDIMM Module
- Flash Memory Array sub system
- High Speed multiplexing

Block Diagram



Features

- 12 bit 2:1 switch that supports DDR3 800 2133Mbps, DDR4 1600~4266 Mbps
- VDD 1.8V/ 2.5V/ 3.3V
- Flow through pinout option for easy layout
- SEL and Global Enable
- High impedance and low Coff channel output when disabled or deselected
- Low RON: 7Ω typical
- 3dB Bandwidth: 6GHz (typical)
- Low insertion loss: -1db @ 2GHz typical
- Low return loss: -24db @ 2GHz typical
- Low cross-talk for high speed channels: -19db @ 2GHz typical
- Low off-isolation: -20db @ 2GHz typical
- Low Propagation Delay: 70ps Typ
- Low bit-to-bit skew 8ps Max across 6 Bits
- ESD: 2KV HBM
- POD_12, SSTL_12 & SSTL_15 signaling
- Packaging (Pb-free and Green)
- 48 pin TFBGA (3x8x1mm)pin compatible with CBTU24DD12

Application Diagram

