



Chipsmall Limited consists of a professional team with an average of over 10 year of expertise in the distribution of electronic components. Based in Hongkong, we have already established firm and mutual-benefit business relationships with customers from,Europe,America and south Asia,supplying obsolete and hard-to-find components to meet their specific needs.

With the principle of “Quality Parts,Customers Priority,Honest Operation,and Considerate Service”,our business mainly focus on the distribution of electronic components. Line cards we deal with include Microchip,ALPS,ROHM,Xilinx,Pulse,ON,Everlight and Freescale. Main products comprise IC,Modules,Potentiometer,IC Socket,Relay,Connector.Our parts cover such applications as commercial,industrial, and automotives areas.

We are looking forward to setting up business relationship with you and hope to provide you with the best service and solution. Let us make a better world for our industry!



## Contact us

Tel: +86-755-8981 8866 Fax: +86-755-8427 6832

Email & Skype: info@chipsmall.com Web: www.chipsmall.com

Address: A1208, Overseas Decoration Building, #122 Zhenhua RD., Futian, Shenzhen, China



## PI3DPX1203

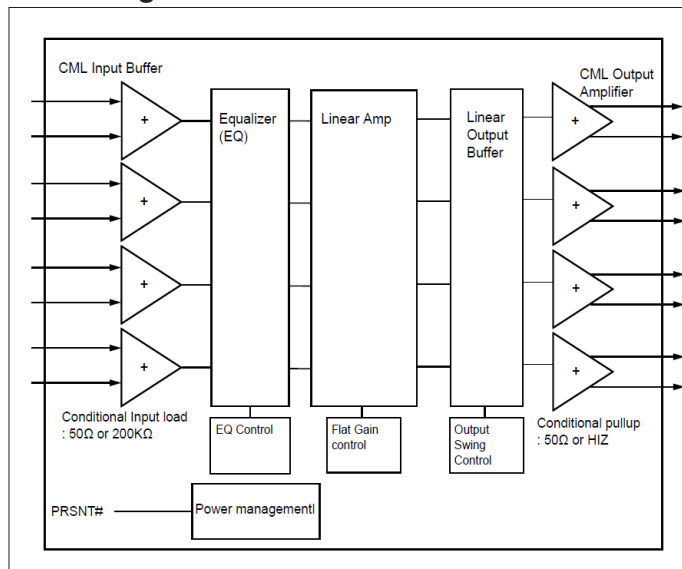
### DisplayPort 1.3 8Gb/s Linear ReDriver for Source, Active Cable & Sink-side Applications

Pericom Semiconductor's PI3DPX1203 is DisplayPort compliant, 8Gbps link speed, single differential channel Linear ReDriver with Link Training transparent mode. Since DisplayPort source and sink-side device are unaware of the Linear ReDriver, they never generate AUX link training transactions, and pass through all the AUX transactions between source and sink-side devices. PI3DPX1203 provides programmable input equalization, linear swing and flat gain control to optimize output over a variety of physical mediums by reducing intersymbol interference. The integrated linear equalization circuitry provides flexibility with signal integrity of the signal before and after the ReDriver. A low-level input signal detection and output squelch function is provided.

#### Application

- PCs and Peripherals
- DisplayPort Active cables

#### Block Diagram



#### Features

- DisplayPort standard 1.3 Compliant Linear ReDriver
- Support flexible placement for Active cable, Sink and Source side
- Ideal for USB Type-C™ sink and source-side application with PD controllers
- Transparent DisplayPort link training. No need Aux Link training listener circuits
- Low latency transparent for the DisplayPort link training allow for Sink-side application
- Linear Input Equalization Increases Link Margin for Systems Implementing Decision Feedback Routing Equalizers (DFE)
- Independent channel configuration of input equalization, output swing and flat gain
- Pin strap or I<sup>2</sup>C programmable for device configuration setting
- Channel order swap and polarity swap support
- Aux channel connect directly from source to sink device
- 4-bit selectable address bit for I<sup>2</sup>C port
- Supply Voltage: 3.3V
- Package : 42-pin TQFN (3.5mm x 9mm)