



Chipsmall Limited consists of a professional team with an average of over 10 year of expertise in the distribution of electronic components. Based in Hongkong, we have already established firm and mutual-benefit business relationships with customers from,Europe,America and south Asia,supplying obsolete and hard-to-find components to meet their specific needs.

With the principle of “Quality Parts,Customers Priority,Honest Operation,and Considerate Service”,our business mainly focus on the distribution of electronic components. Line cards we deal with include Microchip,ALPS,ROHM,Xilinx,Pulse,ON,Everlight and Freescale. Main products comprise IC,Modules,Potentiometer,IC Socket,Relay,Connector.Our parts cover such applications as commercial,industrial, and automotives areas.

We are looking forward to setting up business relationship with you and hope to provide you with the best service and solution. Let us make a better world for our industry!



Contact us

Tel: +86-755-8981 8866 Fax: +86-755-8427 6832

Email & Skype: info@chipsmall.com Web: www.chipsmall.com

Address: A1208, Overseas Decoration Building, #122 Zhenhua RD., Futian, Shenzhen, China



PI3HDX1204-B

HDMI 2.0 ReDriver and DisplayPort Level Shifter with Equalization, De-emphasis & Pre-shoot

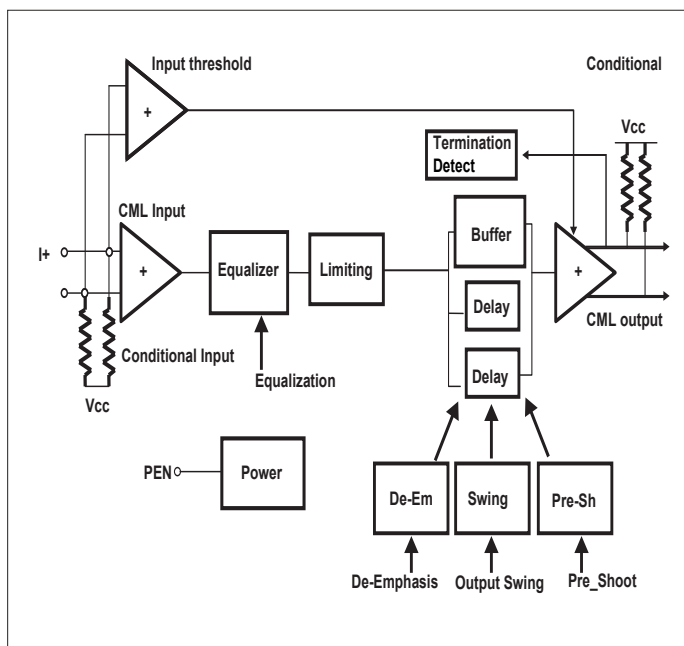
Pericom Semiconductor's PI3HDX1204-B is suitable for 6.0Gbps HDMI2.0 ReDriver with programmable equalization, output swing, pre-shoot, and de-emphasis. It can also be used for the Displayport 1.2 Level Shifter application. This configuration can be used in conjunction with pin strapping or I²C programming to optimize signal performance over a variety of physical mediums.

PI3HDX1204-B supports four differential data channels and extends the signals across other sink side application devices.

Applications

- ➔ Notebook, Desktops, Mobile Computers
- ➔ TV, Set-top-Box and Projectors
- ➔ Embedded Display Systems

Block Diagram



Features

- ➔ Support HDMI2.0 TMDS channels with minimal add-in jitters
- ➔ Design for dual-mode DisplayPort Level Shifter
- ➔ Independent each channel receiver Equalization, Output Swing, Pre-shoot and De-emphasis
- ➔ Built-in Channel Activity Detector with selectable input termination between 50Ω to V_{DD} and 200KΩ to V_{DD}
- ➔ Pin Strap and I²C selectable device programming mode
- ➔ Supply Voltage: 3.3V
- ➔ Industrial Temperature Range: -40°C to 85°C
- ➔ Packaging (Pb-free & Green): 42-contact TQFN (9mm x 3.5mm)

Typical Application Diagram

