



Chipsmall Limited consists of a professional team with an average of over 10 year of expertise in the distribution of electronic components. Based in Hongkong, we have already established firm and mutual-benefit business relationships with customers from,Europe,America and south Asia,supplying obsolete and hard-to-find components to meet their specific needs.

With the principle of “Quality Parts,Customers Priority,Honest Operation,and Considerate Service”,our business mainly focus on the distribution of electronic components. Line cards we deal with include Microchip,ALPS,ROHM,Xilinx,Pulse,ON,Everlight and Freescale. Main products comprise IC,Modules,Potentiometer,IC Socket,Relay,Connector.Our parts cover such applications as commercial,industrial, and automotives areas.

We are looking forward to setting up business relationship with you and hope to provide you with the best service and solution. Let us make a better world for our industry!



Contact us

Tel: +86-755-8981 8866 Fax: +86-755-8427 6832

Email & Skype: info@chipsmall.com Web: www.chipsmall.com

Address: A1208, Overseas Decoration Building, #122 Zhenhua RD., Futian, Shenzhen, China



PI3HDMI511A
PI3HDMI511A HDMI Application Information

Table of Contents

1	Introduction	2
2	External Component Requirements	2
2.1	AC Coupling Capacitors on Output Main Link	3
2.2	Pull-up Resistors on DDC Channel	3
2.3	Pull-up Resistor on HPD Channel	3
3	Layout Design Guideline	3
4	References.....	3

1 Introduction

PI3HDMI511A is an HDMI 1.4 re-driver for source application. It can re-drive TMDS signals coming from dual-mode DP source or HDMI source. As HDMI data rate can be faster than 2.2Gbps, signal integrity is critical. Source termination is therefore implemented in PI3HDMI511A to high-speed transmission. External components in typical application circuit and layout guideline are described in this application information.

2 External Component Requirements

PI3HDMI511A is designed to accept AC-coupled as well as DC-coupled main link signals.

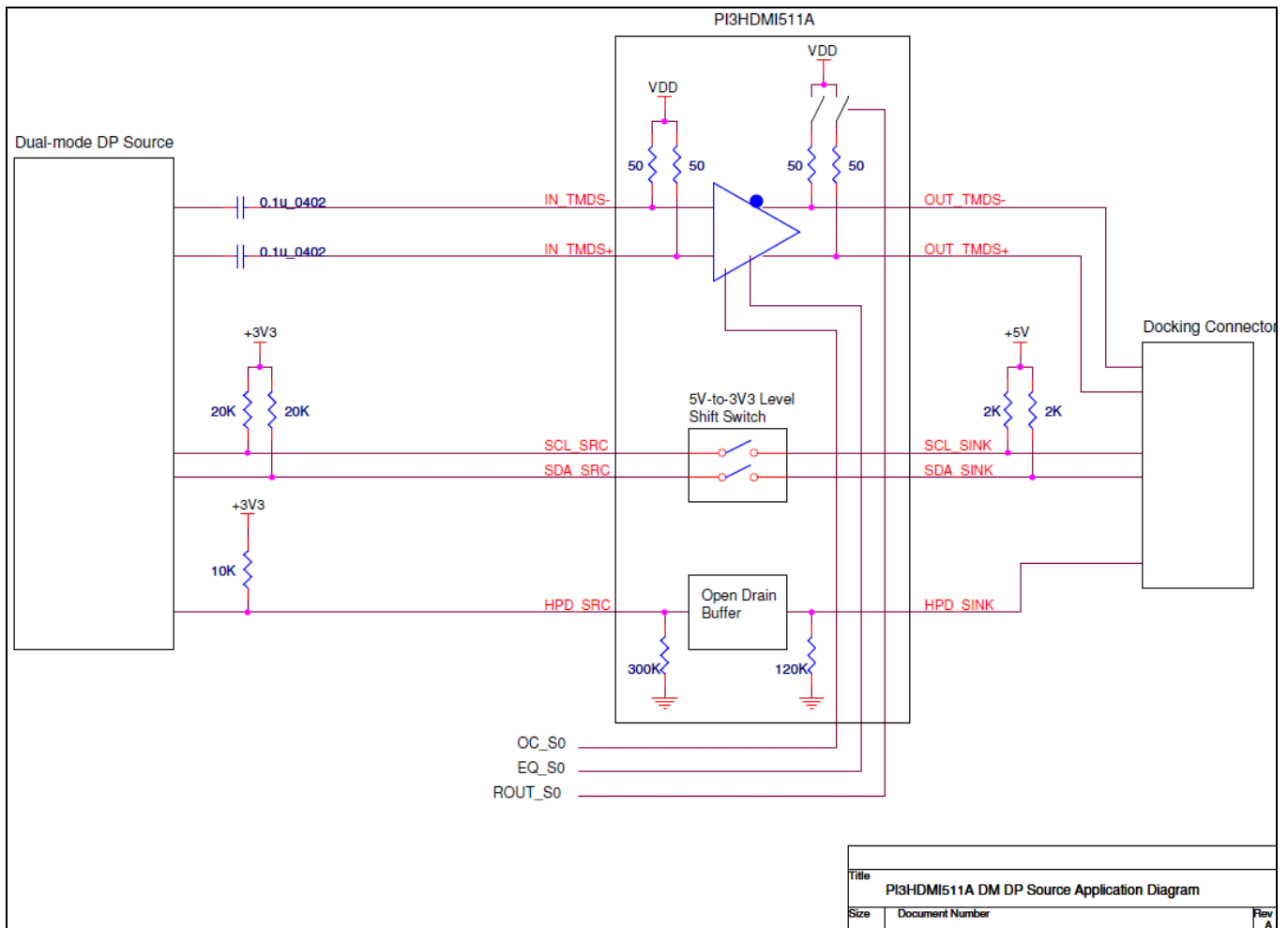


Figure 1: PI3HDMI511A HDMI Source Application

2.1 AC Coupling Capacitors on Output Main Link

For dual-mode DP source, AC coupling capacitors should be placed before where TMDS signals enter PI3HDMI511A if signals from the dual-mode DP source are DC coupled.

2.2 Pull-up Resistors on DDC Channel

Each of SCL and SDA is pulled up to 3.3V via a 20kΩ resistor to create a high voltage level for dual-mode DP source. The 2kΩ pull-ups to 5V are the requirement of HDMI Specification Version 1.4. As 5V-to-3.3V level shifter is implemented in the design, external FET is not required.

2.3 Pull-up Resistor on HPD Channel

As HPD_SRC of PI3HDMI511A is an open drain buffer design, external pull-up should be implemented.

3 Layout Design Guideline

Layout guideline especially for high-speed transmission is critical. Please refer to PIxxxx High Speed Layout Guideline, AN345, for detailed recommendations.

4 References

- (1) VESA DisplayPort Standard Version 1 Revision 2, Video Electronics Standards Association, January 5, 2010
- (2) VESA DisplayPort Dual-Mode Standard Version 1, Video Electronics Standards Association, February 10, 2012
- (3) VESA DisplayPort Interoperability Guideline Version 1.1a, Video Electronics Standards Association, February 5, 2009
- (4) High-Definition Multimedia Interface Specification Version 1.4b, HDMI Licensing, LLC, October 11, 2011
- (5) PCI Express Board Design Guidelines Draft, Intel Corporation, June 2003