



Chipsmall Limited consists of a professional team with an average of over 10 year of expertise in the distribution of electronic components. Based in Hongkong, we have already established firm and mutual-benefit business relationships with customers from,Europe,America and south Asia,supplying obsolete and hard-to-find components to meet their specific needs.

With the principle of "Quality Parts,Customers Priority,Honest Operation,and Considerate Service",our business mainly focus on the distribution of electronic components. Line cards we deal with include Microchip,ALPS,ROHM,Xilinx,Pulse,ON,Everlight and Freescale. Main products comprise IC,Modules,Potentiometer,IC Socket,Relay,Connector.Our parts cover such applications as commercial,industrial, and automotives areas.

We are looking forward to setting up business relationship with you and hope to provide you with the best service and solution. Let us make a better world for our industry!



## Contact us

Tel: +86-755-8981 8866 Fax: +86-755-8427 6832

Email & Skype: info@chipsmall.com Web: www.chipsmall.com

Address: A1208, Overseas Decoration Building, #122 Zhenhua RD., Futian, Shenzhen, China



## 4-Lane DisplayPort™ Rev 1.1a Compliant Switch with Triple Control Logic for Fast Switching

### Features

- ➔ 4-lane, 1:2 mux/demux that will support 2.7Gbps or 1.62Gbps DP rev 1.1a signals
- ➔ 1-channel 1:2 mux/demux for DP\_HPD signal
- ➔ 1-differential channel 1:2 mux/demux for DP\_Aux signal
- ➔ Insertion Loss for high speed channels @ 2.7 Gbps: -1.5dB
- ➔ -3dB Bandwidth for high speed channels of 3.25 Ghz
- ➔ Low Bit-to-Bit Skew , 7ps max (between '+' and '-' bits)
- ➔ Low Crosstalk for high speed channels: -33dB@2.7 Gbps
- ➔ Low Off Isolation for high speed channels: -26dB@2.7 Gbps
- ➔ V<sub>DD</sub> Operating Range: 3.3V ±10%
- ➔ ESD Tolerance: ±8kV contact on Ports A and B per IEC61000-4-2 Specification
- ➔ Low channel-to-channel skew, 35ps max
- ➔ Packaging (Pb-free & Green):
  - 56 TQFN (ZFE)
  - 42 TQFN (ZHE)

### Description

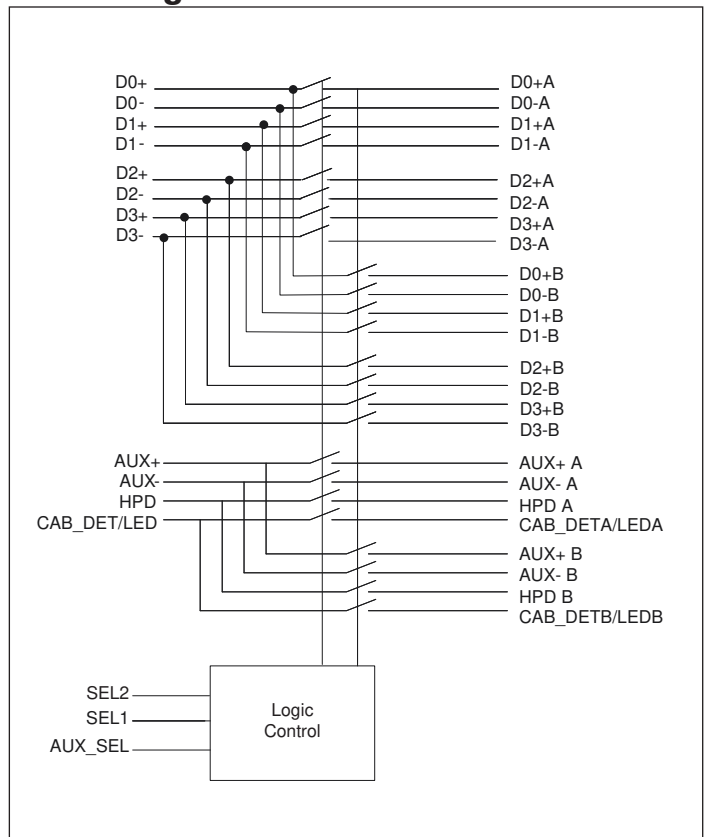
Pericom Semiconductor's PI3VDP612-A mux/demux is targeted for next generation digital video signals. This device can be used to connect a DisplayPort™ Source to two Independent DisplayPort Sinks or to connect two DisplayPort sources to a single DP display.

The newly released DisplayPort spec requires a data rate of 2.7 Gbps with AC coupled I/Os. Pericom's solution has been specifically designed around this standard and will support such signals.

### Application

Routing of DisplayPort signals with low signal attenuation between source and sink.

### Block Diagram



### Ordering Information

Ordering Code	Package Code	Package Type
PI3VDP612-AZFE	ZF	Pb-free & Green, 56-contact TQFN
PI3VDP612-AZHE	ZH	Pb-free & Green, 42-contact TQFN

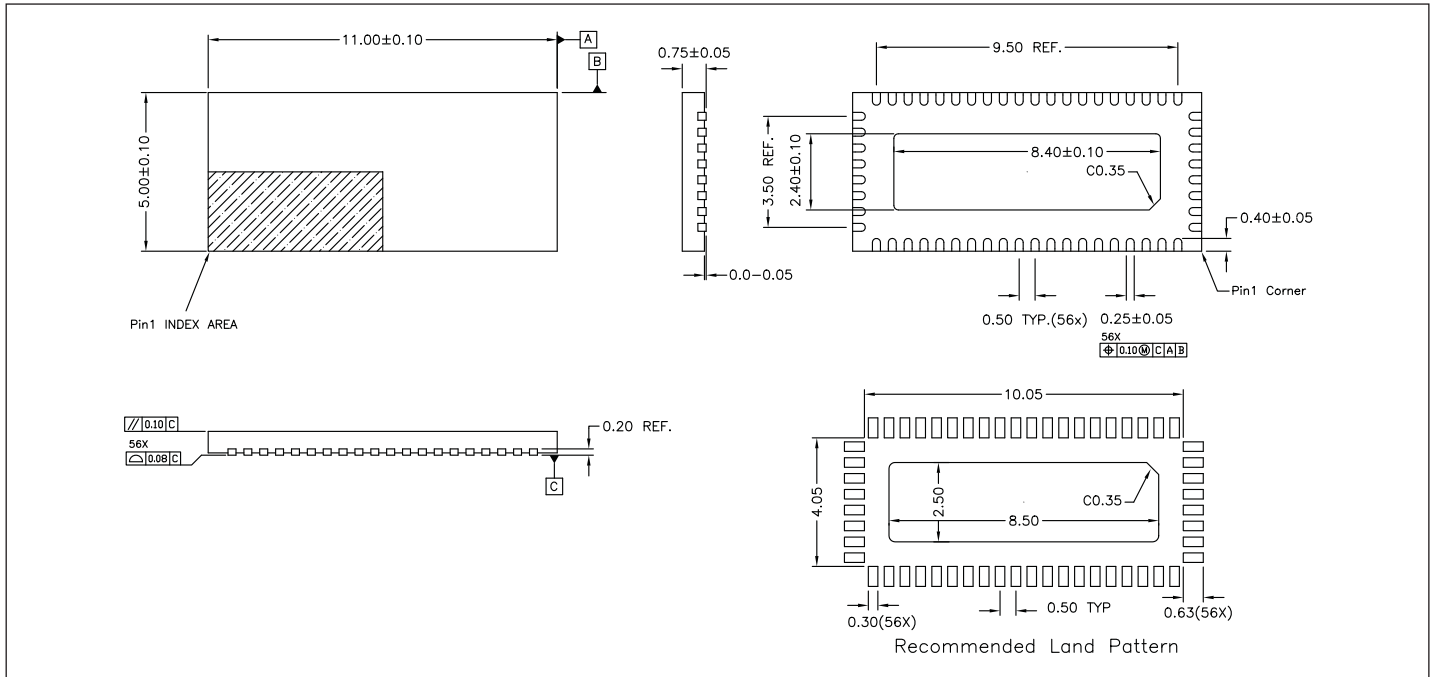
1. Thermal characteristics can be found on the company web site at [www.pericom.com/packaging/](http://www.pericom.com/packaging/)

2. E = Pb-free and Green

3. Adding an X Suffix = Tape/Reel

**4-Lane DisplayPort™ Rev 1.1a Compliant Switch with Triple Control Logic for Fast Switching**

**Packaging Mechanical: 56-Contact TQFN (ZF)**



**Packaging Mechanical: 42-Contact TQFN (ZH)**

