



Chipsmall Limited consists of a professional team with an average of over 10 year of expertise in the distribution of electronic components. Based in Hongkong, we have already established firm and mutual-benefit business relationships with customers from,Europe,America and south Asia,supplying obsolete and hard-to-find components to meet their specific needs.

With the principle of "Quality Parts,Customers Priority,Honest Operation,and Considerate Service",our business mainly focus on the distribution of electronic components. Line cards we deal with include Microchip,ALPS,ROHM,Xilinx,Pulse,ON,Everlight and Freescale. Main products comprise IC,Modules,Potentiometer,IC Socket,Relay,Connector.Our parts cover such applications as commercial,industrial, and automotives areas.

We are looking forward to setting up business relationship with you and hope to provide you with the best service and solution. Let us make a better world for our industry!



Contact us

Tel: +86-755-8981 8866 Fax: +86-755-8427 6832

Email & Skype: info@chipsmall.com Web: www.chipsmall.com

Address: A1208, Overseas Decoration Building, #122 Zhenhua RD., Futian, Shenzhen, China



Wide Bandwidth Analog Switches

Features

- Single-Supply Operation (+2V to +6V)
- Rail-to-Rail Analog Signal Dynamic Range
- Low On-Resistance (6 Ω typ. with 5V supply)
Minimizes Distortion and Error Voltages
- On-Resistance Flatness, 3 Ω typ.
- Low Charge Injection Reduces Glitch Errors. Q = 4pC typ.
- High Speed. t_{ON} = 10ns typ.
- Wide -3dB Bandwidth: 326 MHz (typ.)
- High-Current Channel Capability: >100mA
- TTL/CMOS Logic Compatible
- Low Power Consumption (0.5 μ W typ)
- Small outline transistor package minimizes board area
- Packaging (Pb-free & Green available):
- 6-pin 65-mil wide SOT23 (T) for PI5A124

Applications

- Audio, Video Switching, and Routing
- Battery-Powered Communication Systems
- Computer Peripherals
- Telecommunications
- Portable Instrumentation
- Mechanical Relay Replacement
- Cell Phones
- PDAs

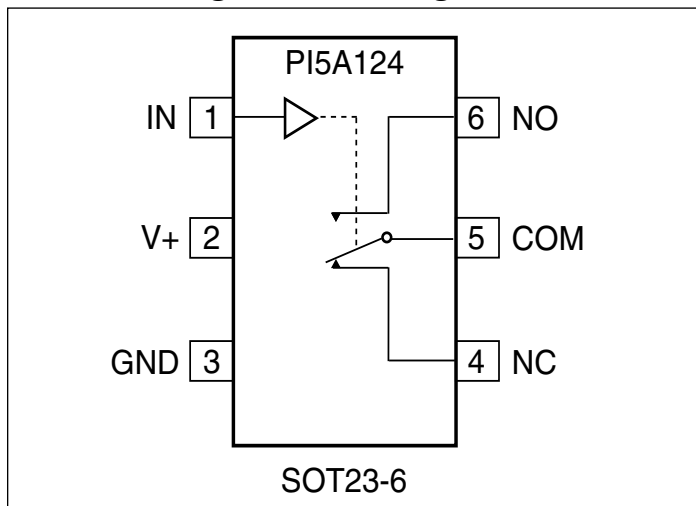
Description

The PI5A124 are analog switches designed for single-supply operation. These high-precision devices are ideal for low-distortion audio, video, signal switching and routing.

These switches are fully specified with +5V, and +3.3V supplies. With +5V, they guarantee <10 Ω On-Resistance. On-Resistance matching between channels is within 2 Ω . On-Resistance flatness is less than 55 Ω over the specified range. These switches also guarantee fast switching speeds (t_{ON} <20ns).

These products are available in 6-pin SOT23 plastic packages for operation over the industrial (-40 $^{\circ}$ C to +85 $^{\circ}$ C) temperature range.

Functional Diagrams/Pin Configurations



Switches shown for Logic "0" input

Truth Tables

	PI5A124	
LOGIC	NC	NO
0	ON	OFF
1	OFF	ON

Absolute Maximum Ratings

Voltages Referenced to Gnd	
V+	-0.5V to +7V
V _{IN} , V _{COM} , V _{NC} , V _{NO} (Note 1)	-0.5V to V+ +2V or 30mA, whichever occurs first
Current (any terminal).....	±25mA
Peak Current, COM, NO, NC (Pulsed at 1ms, 10% duty cycle).....	
	±25mA

Thermal Information

Continuous Power Dissipation	
SOT23-6 (derate 7mW/°C above +70°C).....	550mW
Storage Temperature	-65°C to +150°C
Lead Temperature (soldering, 10s)	+300°C
Note 1: Signals on NC, NO, COM, or IN exceeding V+ or GND are clamped by internal diodes. Limit forward diode current to 30mA.	

Caution: Stresses beyond those listed under “Absolute Maximum Ratings” may cause permanent damage to the device. This is a stress only rating and operation of the device at these or any other conditions beyond those indicated in the operational sections of this specification is not implied.

Electrical Specifications - Single +5V Supply

(V+ = +5V ± 10%, GND = 0V, V_{INH} = 2.4V, V_{INL} = 0.8V)

Parameter	Symbol	Conditions	Temp.(°C)	Min. ⁽¹⁾	Typ. ⁽²⁾	Max. ⁽¹⁾	Units
Analog Switch							
Analog Signal Range ⁽³⁾	V _{ANALOG}		Full	0		V+	V
On-Resistance	R _{ON}	V+ = 4.5V, I _{COM} = -30mA, V _{NO} or V _{NC} = +2.5V	25		7.2	10	Ω
On-Resistance Match Between Channels ⁽⁴⁾	ΔR _{ON}		Full		0.2	2	
On-Resistance Flatness ⁽⁵⁾	R _{FLAT(ON)}	V+ = 5V, I _{COM} = -30mA, V _{NO} or V _{NC} = 1V, 2.5V, 4V	25		2.72	3.5	
			Full			4	
NO or NC Off Leakage Current ⁽⁶⁾	I _{NO(OFF)} or I _{NC(OFF)}	V+ = 5.5V, V _{COM} = 0V, V _{NO} or V _{NC} = 4.5V	25		0.18		nA
			Full	-1		150	
COM Off Leakage Current ⁽⁶⁾	I _{COM(OFF)}	V+ = 5.5V, V _{COM} = +4.5V, V _{NO} or V _{NC} = ±0V	25		0.20		
			Full	-1		150	
COM On Leakage Current ⁽⁶⁾	I _{COM(ON)}	V+ = 5.5V, V _{COM} = +4.5V V _{NO} or V _{NC} = +4.5V	25		0.20		
			Full	-1		50	

Electrical Specifications - Single +5V Supply

 (V+ = +5V ± 10%, GND = 0V, V_{INH} = 2.4V, V_{INL} = 0.8V)

Parameter	Symbol	Conditions	Temp(°C)	Min. ⁽¹⁾	Typ. ⁽²⁾	Max. ⁽¹⁾	Units
Logic Input							
Input High Voltage	V _{IH}	Guaranteed logic High Level	Full	2			V
Input Low Voltage	V _{IL}	Guaranteed logic Low Level				0.8	
Input Current with Voltage High	I _{INH}	V _{IN} = 2.4V, all others = 0.8V		-1	0.005	1	μA
Input Current with Voltage Low	I _{INL}	V _{IN} = 0.8V, all others = 2.4V		-1	0.005	1	
Dynamic							
Turn-On Time	t _{ON}	V+ = 5V, Figure 1	25		7	15	ns
			Full			20	
Turn-Off Time	t _{OFF}		25		1	7	
			Full			10	
Charge Injection ⁽³⁾	Q	C _L = 1nF, V _{GEN} = 0V, R _{GEN} = 0Ω, Figure 2	25		1.6	10	pC
Off Isolation	O _{IRR}	R _L = 50Ω, C _L = 5pF, f = 10MHz, Figure 3			-43		dB
Crosstalk ⁽⁸⁾	X _{TALK}	R _L = 50Ω, C _L = 5pF, f = 10MHz, Figure 4			-43		
NC or NO Capacitance	C _(OFF)	f = 1kHz, Figure 5			5.5		pF
COM Off Capacitance	C _{COM(OFF)}				5.5		
COM On Capacitance	C _{COM(ON)}	f = 1kHz, Figure 6			13		
-3dB Bandwidth	BW	R _L = 50Ω, Figure 7		Full		326	
Supply							
Power-Supply Range	V+		Full	2		6	V
Positive Supply Current	I+	V+ = 5.5V, V _{IN} = 0V or V+				1	μA

Notes:

- The algebraic convention, where most negative value is a minimum and most positive is a maximum, is used in this data sheet.
- Typical values are for DESIGN AID ONLY, not guaranteed or subject to production testing.
- Guaranteed by design
- ΔR_{ON} = R_{ON} max - R_{ON} min
- Flatness is defined as the difference between the maximum and minimum value of On-Resistance measured.
- Leakage parameters are 100% tested at maximum rated hot temperature and guaranteed by correlation at +25°C.
- Off Isolation = 20log₁₀ [V_{COM} / (V_{NO} or V_{NC})]. See Figure 3.
- Between any two switches. See Figure 4.

Electrical Specifications - Single +3.3V Supply

(V+ = +3.3V ± 10%, GND = 0V, V_{INH} = 2.4V, V_{INL} = 0.8V)

Parameter	Symbol	Conditions	Temp.(°C)	Min.(1)	Typ.(2)	Max.(1)	Units
Analog Switch							
Analog Signal Range ⁽³⁾	V _{ANALOG}			0		V+	V
On-Resistance	R _{ON}	V+ = 3V, I _{COM} = -30mA, V _{NO} or V _{NC} = 1.5V	25		12	18	Ω
			Full			22	
On-Resistance Match Between Channels ⁽⁴⁾	ΔR _{ON}	V+ = 3.3V, I _{COM} = -30mA, V _{NO} or V _{NC} = 0.8V, 2.5V	25		1	1	
			Full			2	
On-Resistance Flatness ^(3,5)	R _{FLAT(ON)}	V+ = 3.3V, I _{COM} = -30mA, V _{NO} or V _{NC} = 0.8V, 2.5V	25		0.5	4	
			Full			5	
Dynamic							
Turn-On Time	t _{ON}	V+ = 3.3V, V _{NO} or V _{NC} = 1.5V, Figure 1	25		15	25	ns
			Full			40	
Turn-Off Time	t _{OFF}	V+ = 3.3V, V _{NO} or V _{NC} = 1.5V, Figure 1	25		1.5	12	
			Full			20	
Charge Injection ⁽³⁾	Q	C _L = 1nF, V _{GEN} = 0V, R _{GEN} = 0V, Figure 2	25		1.3	10	pC
Supply							
Positive Supply Current	I+	V+ = 3.6V, V _{IN} = 0V or V+ All Channels on or off	Full			1	μA
Logic Input							
Input High Voltage	V _{IH}	Guaranteed logic high level	Full	2			V
Input Low Voltage	V _{IL}	Guaranteed logic low level	Full			0.8	
Input High Current	I _{INH}	V _{IN} = 2.4V, all others = 0.8V	Full	-1		1	μA
Input Low Current	I _{INL}	V _{IN} = 0.8V, all others = 2.4V	Full	-1		1	

Test Circuits/Timing Diagrams

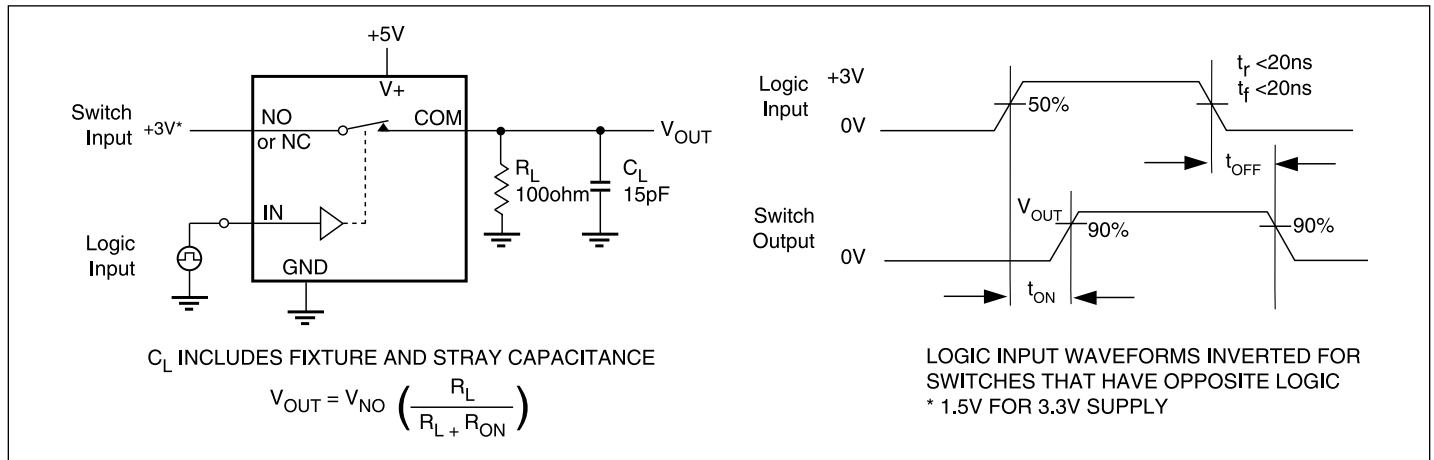


Figure 1. Switching Time

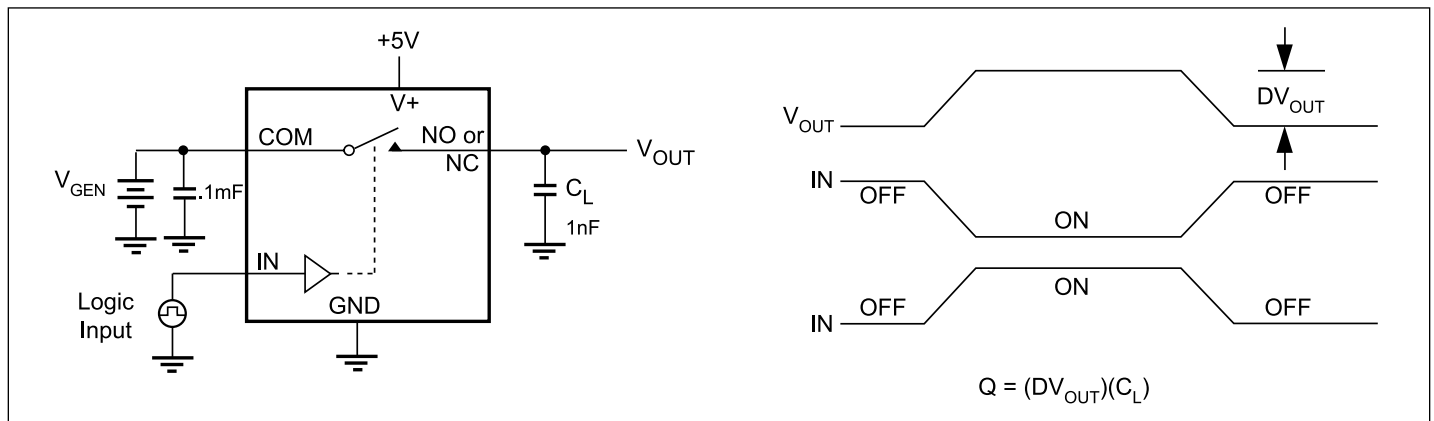


Figure 2. Charge Injection

Test Circuits/Timing Diagrams

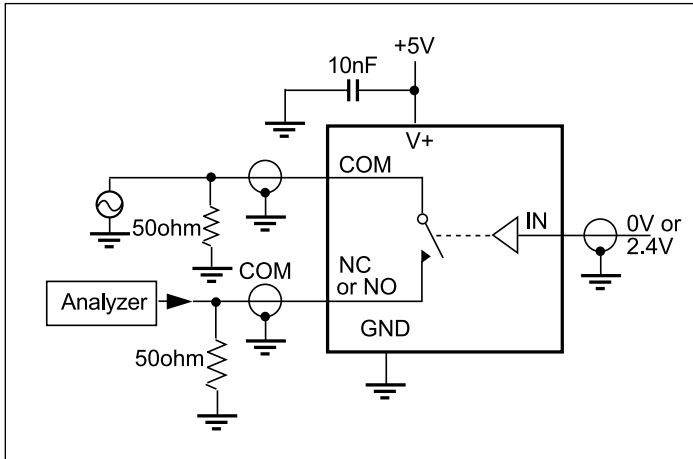


Figure 3. Off Isolation

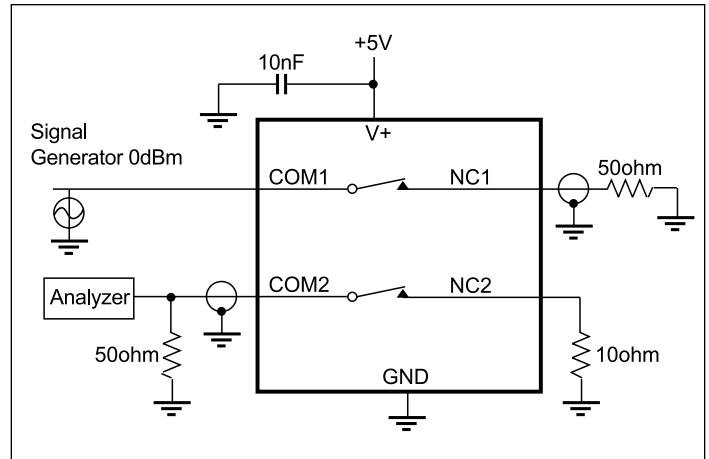


Figure 4. Crosstalk (124 only)

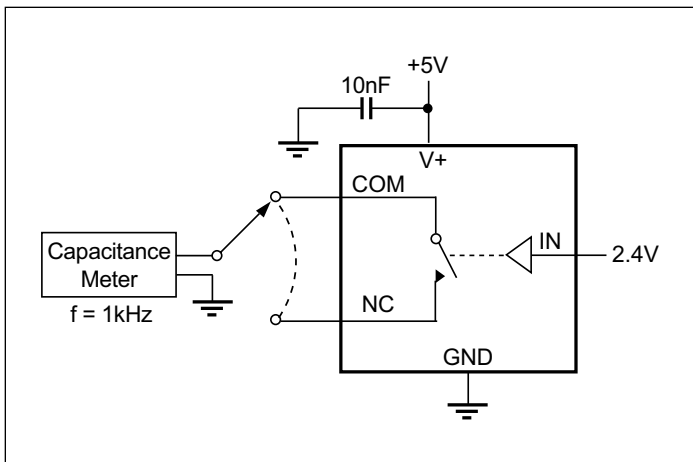


Figure 5. Channel-Off Capacitance

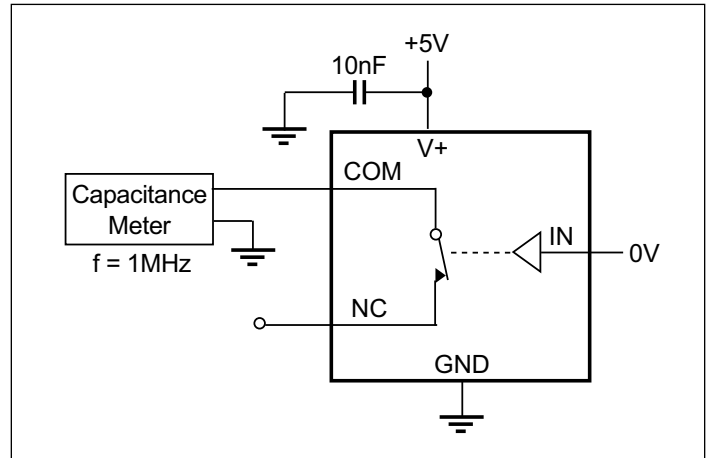


Figure 6. Channel-On Capacitance

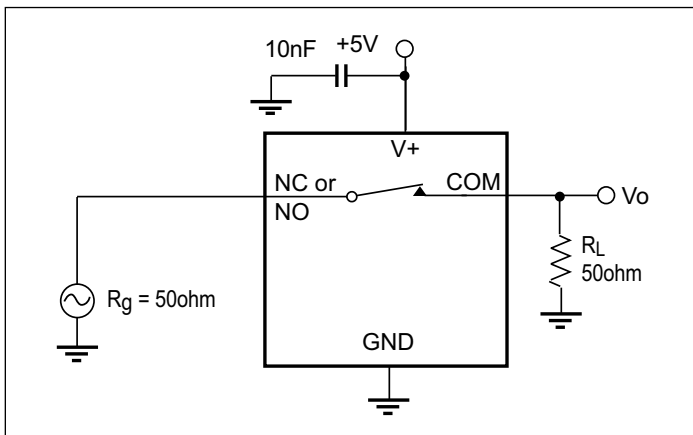
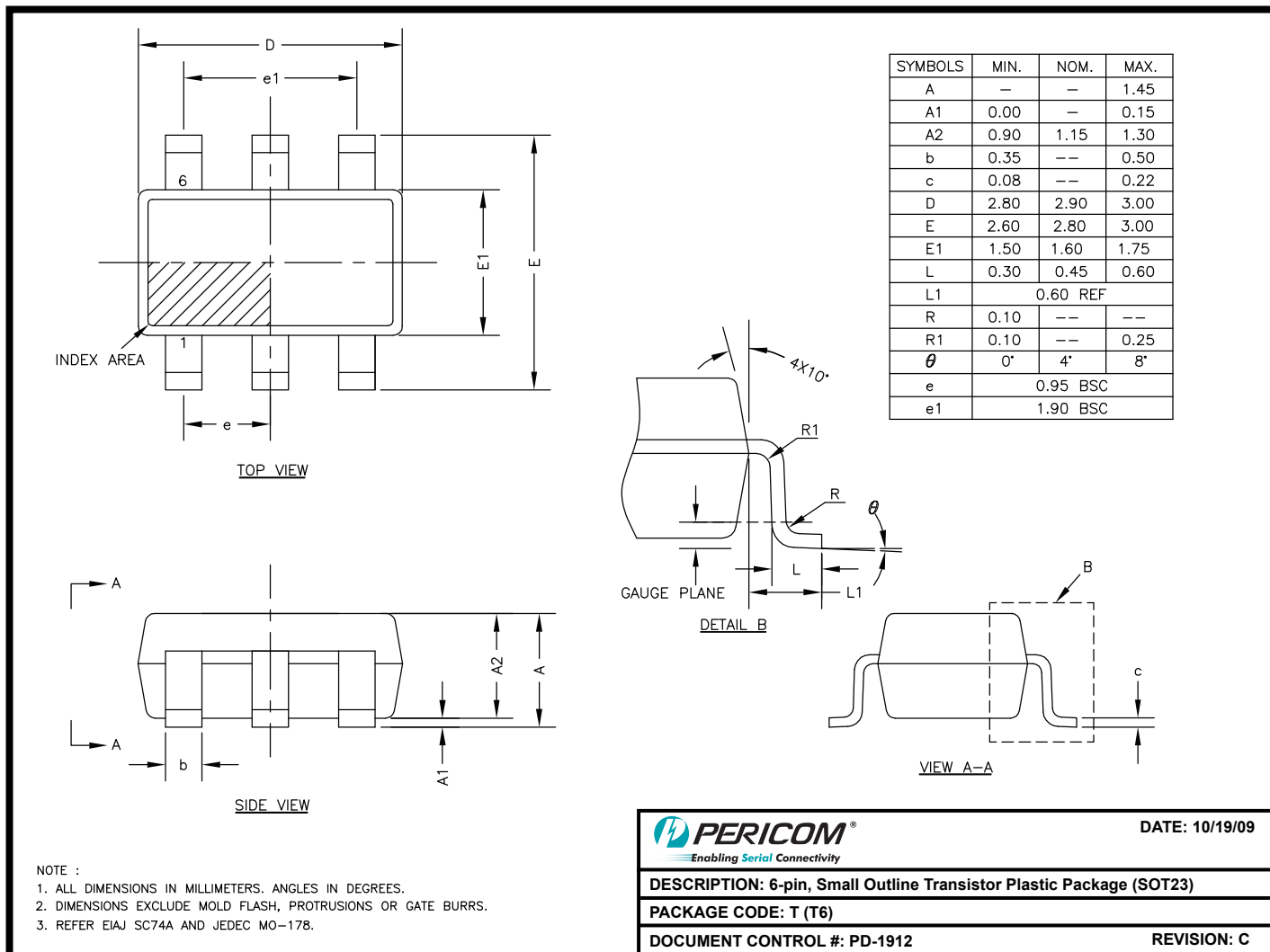


Figure 7. Bandwidth

Packaging Mechanical: SOT23 (T)



09-0131

Note:

- For latest package info, please check: <http://www.pericom.com/products/packaging/mechanicals.php>

Ordering Information

Ordering Code	Packaging Code	Package Type	Top Marking
PI5A124TE	T	6-pin, Small Outline Transistor Plastic Package (SOT23)	ZT

Notes:

- Thermal characteristics can be found on the company web site at www.pericom.com/packaging/
- E = Pb-free and Green
- Adding an X suffix = Tape/Reel