



Chipsmall Limited consists of a professional team with an average of over 10 year of expertise in the distribution of electronic components. Based in Hongkong, we have already established firm and mutual-benefit business relationships with customers from,Europe,America and south Asia,supplying obsolete and hard-to-find components to meet their specific needs.

With the principle of “Quality Parts,Customers Priority,Honest Operation,and Considerate Service”,our business mainly focus on the distribution of electronic components. Line cards we deal with include Microchip,ALPS,ROHM,Xilinx,Pulse,ON,Everlight and Freescale. Main products comprise IC,Modules,Potentiometer,IC Socket,Relay,Connector.Our parts cover such applications as commercial,industrial, and automotives areas.

We are looking forward to setting up business relationship with you and hope to provide you with the best service and solution. Let us make a better world for our industry!



Contact us

Tel: +86-755-8981 8866 Fax: +86-755-8427 6832

Email & Skype: info@chipsmall.com Web: www.chipsmall.com

Address: A1208, Overseas Decoration Building, #122 Zhenhua RD., Futian, Shenzhen, China



Chip Scale Packaging, Dual SPDT Analog Switch
Features

- CMOS Technology for Bus and Analog Applications
- Low On-Resistance: 0.5Ω.
- Wide V_{CC} Range: 1.65V to 5.5V
- Rail-to-Rail Signal Range
- Control Input Overvoltage Tolerance: 5.5V min.
- High Off Isolation: -42dB
- Crosstalk Rejection Reduces Signal Distortion: -70dB
- Low THD (0.05% @ V_{CC} = 2.7V)
- Break-Before-Make Switching
- Extended Industrial Temperature Range: -40°C to 85°C
- Packaging (Pb-free & Green):
 - 10-ball Chip Scale Packaging (CSP)

Applications

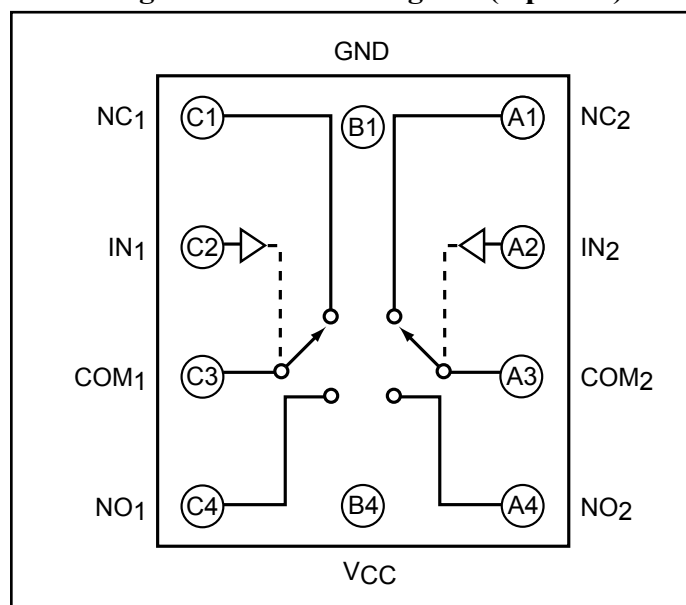
- Cell Phones
- PDAs
- MP3 players
- Portable Instrumentation
- Computer Peripherals
- Speaker Headset Switching
- Power Routing
- Relay Replacement
- Audio and Video Signal Routing
- PCMCIA Cards
- Modems

Description

Pericom Semiconductor's PI5A4684 is a dual high-bandwidth, fast single-pole double throw (SPDT) CMOS switch. It can be used as an analog switch or as a low-delay bus switch. Specified over a wide operating power supply voltage, 1.65V to 5.5V, the PI5A4684 has a maximum On-Resistance of 0.5Ω at +2.7V.

Break-before-make switching prevents both switches being enabled simultaneously. This eliminates signal disruption during switching.

The control input, IN_x, tolerates input drive signals up to 6.0V, independent of supply voltage.

Pin Configuration/ Block Diagram (top view) CSP

Pin Description

Pin # CSP	Name	Description
A4, C4	NO _x	Data Port (Normally open)
B1	GND	Ground
A1, C1	NC _x	Data Port (Normally closed)
A3, C3	COM _x	Common Output / Data Port
B4	V _{CC}	Positive Power Supply
A2, C2	IN _x	Logic Control

Logic Function Table

Logic Input (IN _x)	Function
0	NC _x Connected to COM _x
1	NO _x Connected to COM _x

Note:

1. x = 1, or 2

Absolute Maximum Ratings⁽¹⁾

Supply Voltage V_{CC}	-0.5V to +7V
DC Switch Voltage (V_S) ⁽²⁾	-0.5V to $V_{CC} + 0.5V$
DC Input Voltage (V_{IN}) ⁽²⁾	-0.5V to +7.0V
Continuous Current NO_NC_COM_	±500mA
Peak Current NO_NC_COM_	
(pulsed at 1ms 50% duty cycle)	±650mA
Peak Current NO_NC_COM_	
(pulsed at 1ms 10% duty cycle)	±800mA
Storage Temperature Range (T_{STG})	-65°C to +150°C
Junction Temperature under Bias (T_J)	150°C
Junction Lead Temperature (T_L)	
(Soldering, 10 seconds)	260°C
Power Dissipation (P_D) @ +85°C	250mW

Recommended Operating Conditions⁽³⁾

Supply Voltage Operating (V_{CC})	1.65V to 5.5V
Control Input Voltage (V_{IN})	0V to V_{CC}
Switch Input Voltage (V_{IN})	0V to V_{CC}
Output Voltage (V_{OUT})	0V to V_{CC}
Operating Temperature (T_A)	-40°C to +85°C
Input Rise and Fall Time (t_r, t_f)	
Control Input $V_{CC} = 2.3V - 3.6V$	0ns/V to 10ns/V
Control Input $V_{CC} = 4.5V - 5.5V$	0ns/V to 5ns/V
Thermal Resistance (θ_{JA})	350°C/W
Lead Temperature (soldering 10s)	+300°C
Bump Temperature (soldering notes)	
Infrared (15s)	+220°C
Vapor Phase (60ns)	+215°C

Notes:

1. "Absolute Maximum Ratings" may cause permanent damage to the device. This is a stress only rating and operation of the device at these or any other conditions beyond those indicated in the operational sections of this specification is not implied.
2. The input and output negative voltage ratings may be exceeded if the input and output diode current ratings are observed.
3. Control input must be held HIGH or LOW; it must not float.

DC Electrical Characteristics +3V Supply

($V_{CC} = 2.7V$ to $3.3V$, $T_A = -40$ C to $+85$ C, unless otherwise noted. Typical values are at $3V$ and $+25^{\circ}C$.)

Parameter	Symbol	Test Conditions	Min.	Typ.	Max.	Units
Analog Switch						
Analog Signal Range	V_{NO}, V_{NC}, V_{COM}		0		V_{CC}	V
NC On-Resistance	$R_{ON(NC)}$	$V_{CC} = 2.7V, I_{COM} = 100mA,$ $V_{NC} = 0$ to V_{CC}		0.5	0.6	Ω
NO On-Resistance	$R_{ON(NO)}$	$V_{CC} = 2.7V, I_{COM} = 100mA,$ $V_{NC} = 0$ to V_{CC}		0.4	0.5	
On-Resistance Match Between Channels	ΔR_{ON}	$V_{CC} = 2.7V, I_{COM} = 100mA,$ V_{NO} or $V_{NC} = 1.5V$		0.01	0.06	
NC On-Resistance Flatness	$R_{ONF(NC)}$	$V_{CC} = 2.7V, I_{COM} = 100mA,$ $V_{NC} = 0$ to V_{CC}			0.25	
NO On-Resistance Flatness	$R_{ONF(NO)}$	$V_{CC} = 2.7V, I_{COM} = 100mA,$ $V_{NO} = 0$ to V_{CC}			0.15	
NO or NC Off Leakage Current	$I_{OFF(NO)}$ or $I_{OFF(NC)}$	$V_{CC} = 3.3V, V_{NO}$ or $V_{NC} = 3V, 0.3V,$ $V_{COM} = 0.3V, 3V$	-80		80	nA
COM On Leakage Current	$I_{COM(ON)}$	$V_{CC} = 3.3V, V_{NO}$ or $V_{NC} = 3V, 0.3V,$ $V_{COM} = 0.3V, 3V,$ or floating	-160		160	
Digital I/O						
Input Logic High	V_{IH}		1.3			V
Input Logic Low	V_{IL}				0.6	
Input Hysteresis	V_H	$V_{CC} = 3.3V$		200		mV
IN Input Leakage Current	I_{IN}	$V_{IN} = 0$ or V_{CC}	-1		1	μA
Power Supply						
Power-Supply Range	V_{CC}		1.65		5.5	V
Supply Current	I_{CC}	$V_{CC} = 5.5V, V_{IN} = 0$ or V_{CC}			200	nA

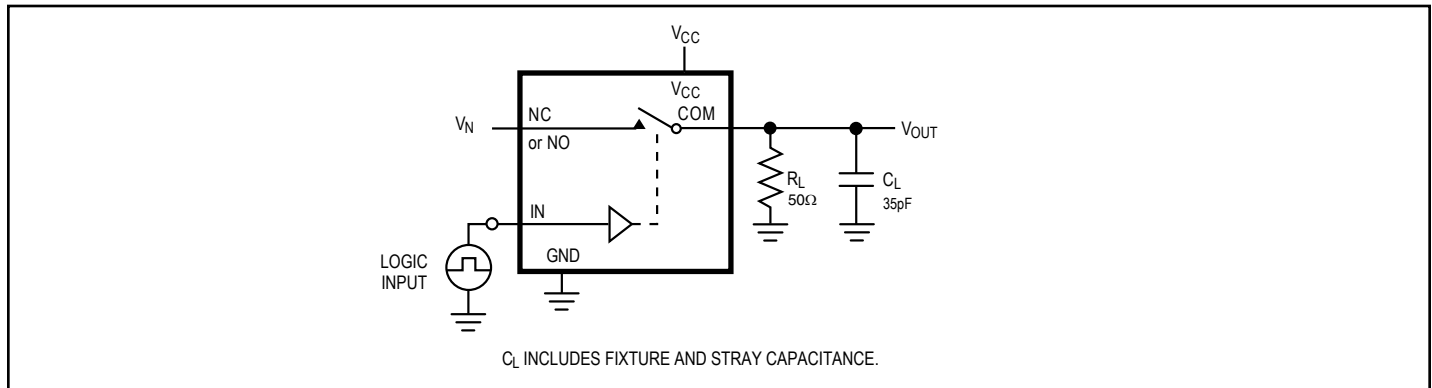
Switch and AC Characteristics

(V_{CC} = 2.7V to 3.3V, T_a = -40 C to +85 C, unless otherwise noted. Typical values are at 3V and +25°C)

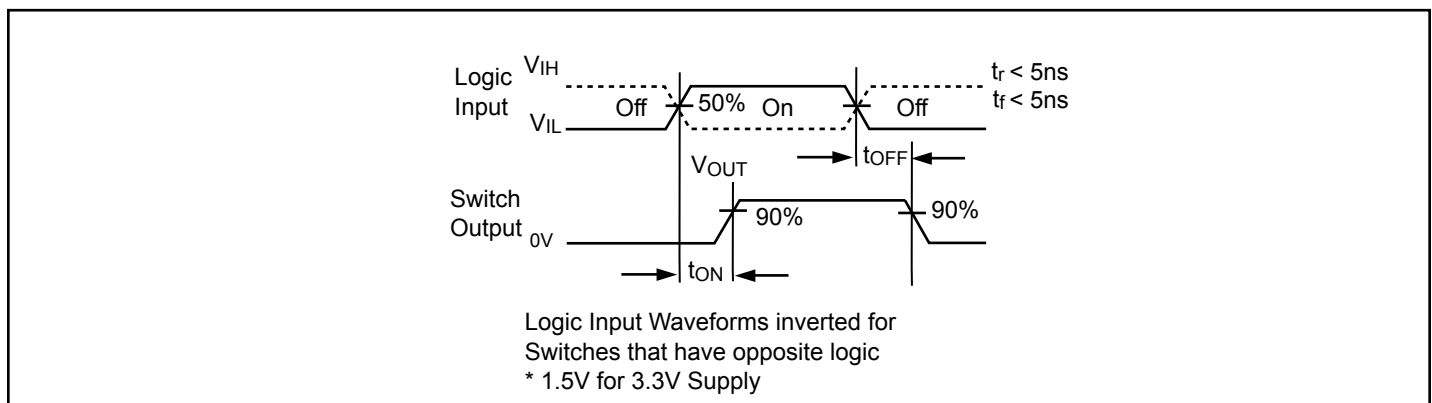
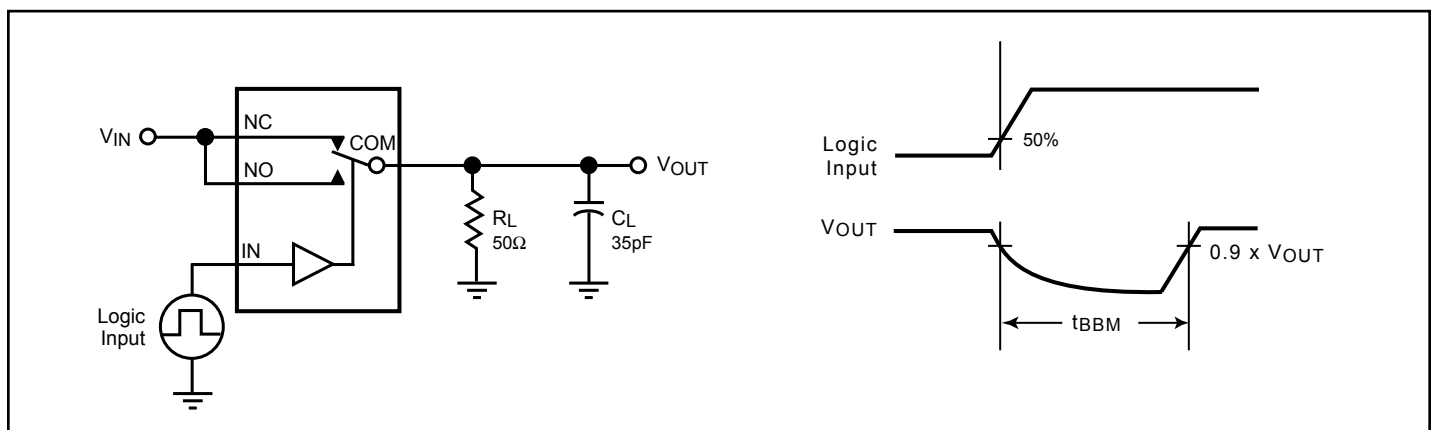
Parameter	Symbol	Test Conditions	Min.	Typ.	Max.	Units
Turn-On Time	t _{ON}	V _{CC} = 2.7V, V _{NO} or V _{NC} = 1.5V, R _L = 50Ω, C _L = 35pF, <i>See Test Circuit Figure 1 & 2.</i>		25	60	ns
Turn-Off Time	t _{OFF}	V _{CC} = 2.7V, V _{NO} or V _{NC} = 1.5V, R _L = 50Ω, C _L = 35pF, <i>See Test Circuit Figure 1 & 2.</i>		7	20	
Break-Before-Make Delay	t _{BBM}	V _{CC} = 2.7V, V _{NO} or V _{NC} = 1.5V, R _L = 50Ω, C _L = 35pF, <i>See Test Circuit Figure 3.</i>		25		
Charge Injection	Q	COM = 0, R _S = 0, C _L = 1nF, <i>See Test Circuit Figure 4.</i>		54		pC
Off-Isolation	O _{IRR}	C _L = 5pF, R _L = 50Ω, f = 100kHz, V _{COM} = 1 V _{RMS} , <i>See Test Circuit Figure 5.</i>		-42		dB
Crosstalk	X _{TALK}	C _L = 5pF, R _L = 50Ω, f = 100kHz, V _{COM} = 1 V _{RMS} , <i>See Test Circuit Figure 6.</i>		-70		
3dB Bandwidth	f _{3dB}	<i>See Test Circuit Figure 9.</i>		27		MHz
Total Harmonic Distortion	THD	R _L = 32Ω, V _{IN} = 3.5V, V _{CC} = 4.5V f = 20Hz to 20kHz		0.07		%
		R _L = 32Ω, V _{IN} = 2.0V, V _{CC} = 3.4V f = 20Hz to 20kHz		0.06		
		R _L = 32Ω, V _{IN} = 1.5V, V _{CC} = 2.7V f = 20Hz to 20kHz		0.05		

Capacitance

Parameter	Symbol	Test Conditions	Min.	Typ.	Max.	Units
NC Off Capacitance	C _{NC (OFF)}	f = 1MHz, <i>See Test Circuit Figure 7.</i>		84		pF
NO Off Capacitance	C _{NO (OFF)}	f = 1MHz, <i>See Test Circuit Figure 7.</i>		65		
NC On Capacitance	C _{NC (ON)}	f = 1MHz, <i>See Test Circuit Figure 8.</i>		240		
NO On Capacitance	C _{NO (ON)}	f = 1MHz, <i>See Test Circuit Figure 8.</i>		225		

Test Circuits and Timing Diagrams

Figure 1. AC Test Circuit
Notes:

1. Unused input (NC or NO) must be grounded.


Figure 2. AC Waveforms

Figure 3. Break Before Make Interval Timing

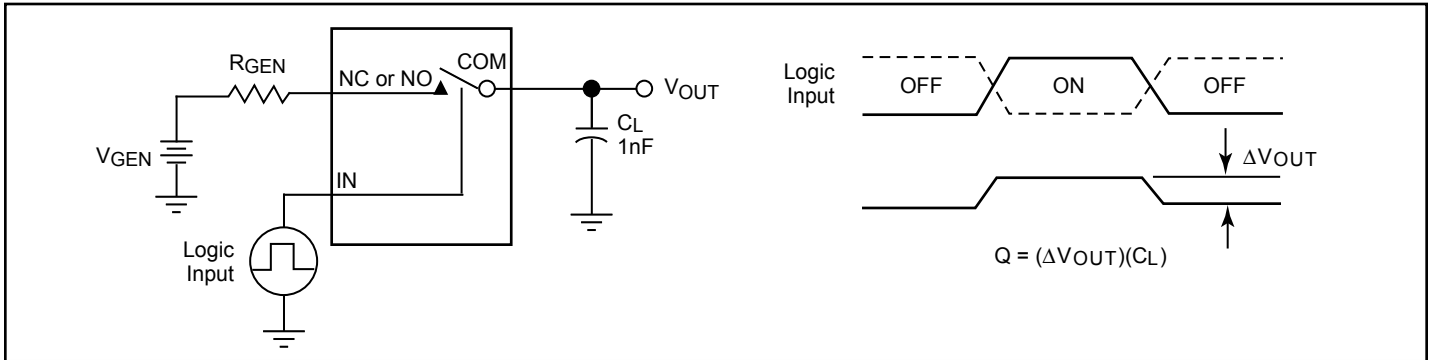


Figure 4. Charge Injection Test

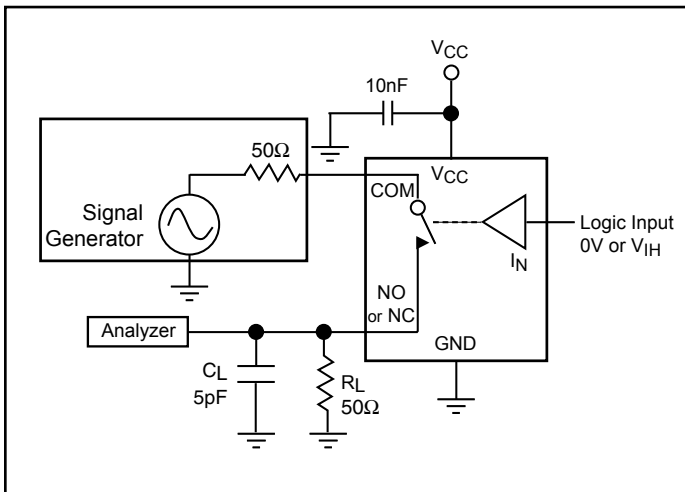


Figure 5. Off Isolation

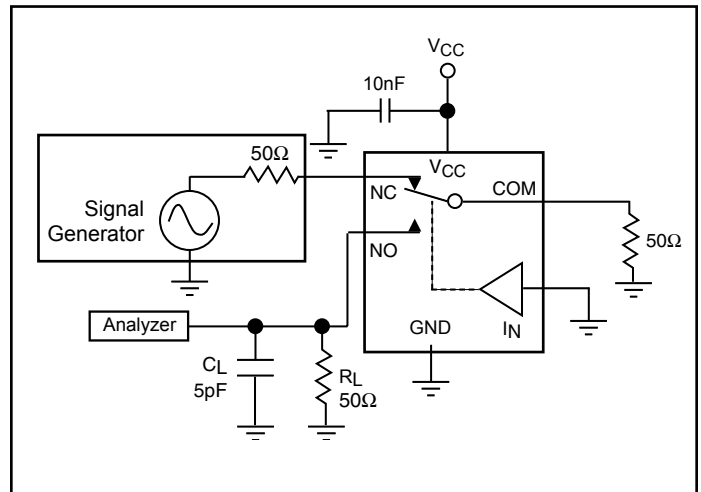


Figure 6. Crosstalk

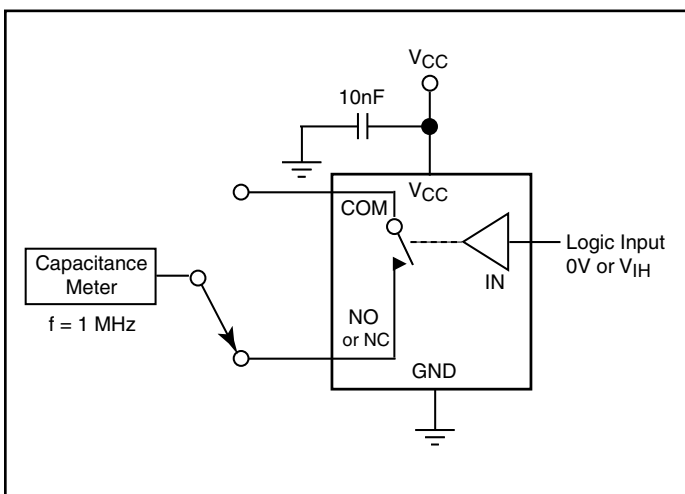


Figure 7. Channel Off Capacitance

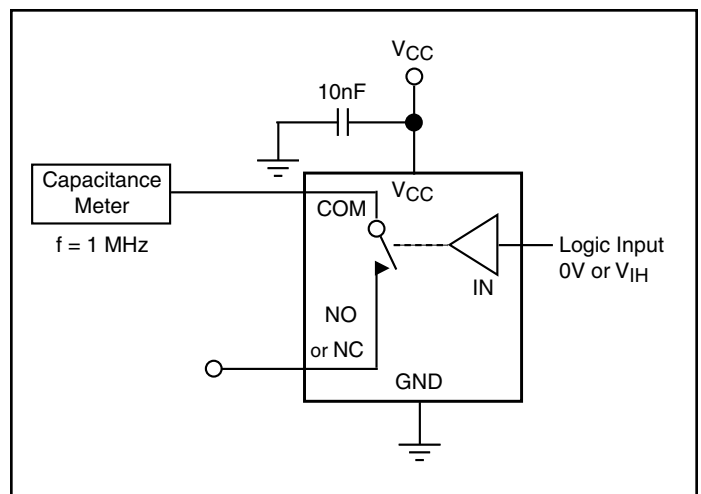


Figure 8. Channel On Capacitance

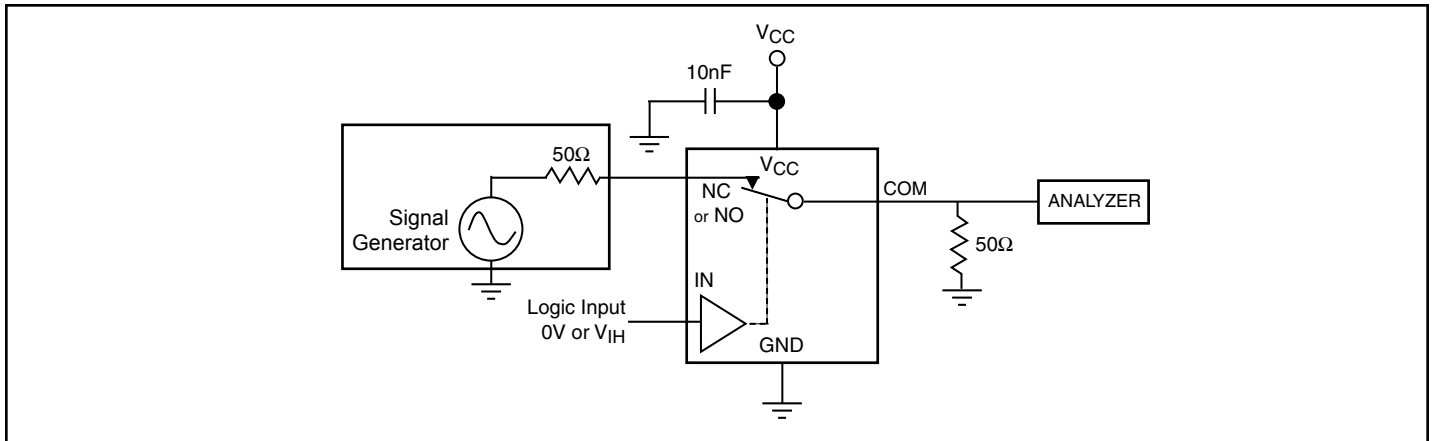
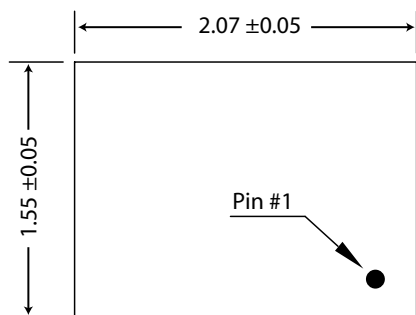
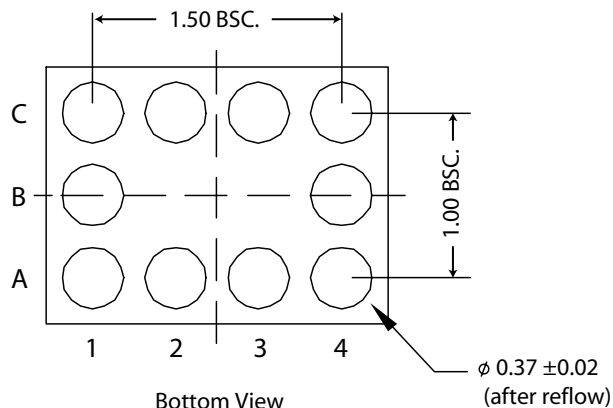


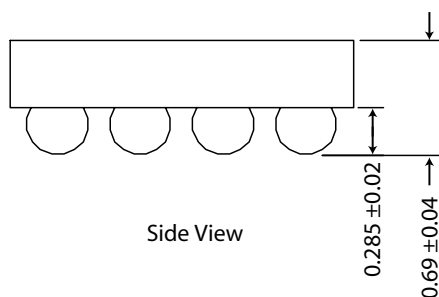
Figure 9. Bandwidth



Top View




Bottom View



Side View

Notes:

1) All dimensions are in millimeters

	DATE: 11/01/05
	DESCRIPTION: 10-contact CSP (Chip Scale Packaging) without backside coating
	PACKAGE CODE: GA (GA10)
	DOCUMENT CONTROL #: PD-2048
REVISION: - -	

Ordering Information

Ordering Code	Packaging Code	Package Type
PI5A4684GAE	GA	Pb-free & Green, 10-ball CSP

Notes:

- Thermal characteristics can be found on the company web site at www.pericom.com/packaging/
- E = Pb-free and Green
- Adding an X suffix = Tape & Reel