



Chipsmall Limited consists of a professional team with an average of over 10 year of expertise in the distribution of electronic components. Based in Hongkong, we have already established firm and mutual-benefit business relationships with customers from,Europe,America and south Asia,supplying obsolete and hard-to-find components to meet their specific needs.

With the principle of “Quality Parts,Customers Priority,Honest Operation,and Considerate Service”,our business mainly focus on the distribution of electronic components. Line cards we deal with include Microchip,ALPS,ROHM,Xilinx,Pulse,ON,Everlight and Freescale. Main products comprise IC,Modules,Potentiometer,IC Socket,Relay,Connector.Our parts cover such applications as commercial,industrial, and automotives areas.

We are looking forward to setting up business relationship with you and hope to provide you with the best service and solution. Let us make a better world for our industry!



Contact us

Tel: +86-755-8981 8866 Fax: +86-755-8427 6832

Email & Skype: info@chipsmall.com Web: www.chipsmall.com

Address: A1208, Overseas Decoration Building, #122 Zhenhua RD., Futian, Shenzhen, China



Phase-Locked Loop Clock Driver
Product Features

- High-Performance Phase-Locked-Loop Clock Distribution for Networking, ATM, 100/134 MHz Registered DIMM Synchronous DRAM modules for server/workstation/PC applications
- Zero Input-to-Output delay
- Low jitter: Cycle-to-Cycle jitter ± 100 ps max.
- On-chip series damping resistor at clock output drivers for low noise and EMI reduction
- Operates at 3.3V V_{CC}
- Packaged in Plastic 8-pin SOIC Package (W) Pb-free and Green Available
- Wide range of Clock Frequencies

Product Description

The PI6C2401 features a low-skew, low-jitter, phase-locked loop (PLL) clock driver. By connecting the feedback CLK_OUT output to the feedback FB_IN input, the propagation delay from the CLK_IN input to any clock output will be nearly zero.

Application

If the system designer needs more than 16 outputs with the features just described, using two or more zero-delay buffers such as PI6C2509Q, and PI6C2510Q, is likely to be impractical. The device-to-device skew introduced can significantly reduce the performance. Pericom recommends the use of a zero-delay buffer and an eighteen output non-zero-delay buffer. As shown in Figure 1, this combination produces a zero-delay buffer with all the signal characteristics of the original zero-delay buffer, but with as many outputs as the non-zero-delay buffer part. For example, when combined with an eighteen output non-zero delay buffer, a system designer can create a seventeen-output zero-delay buffer.

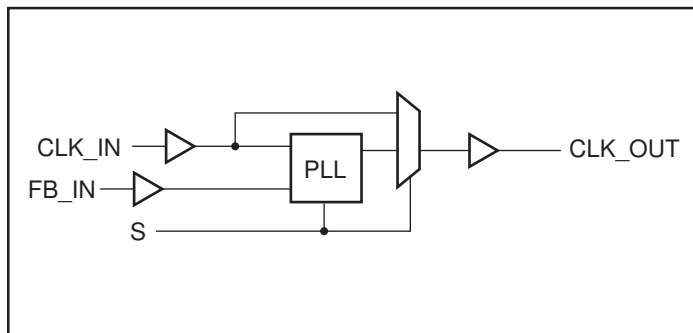
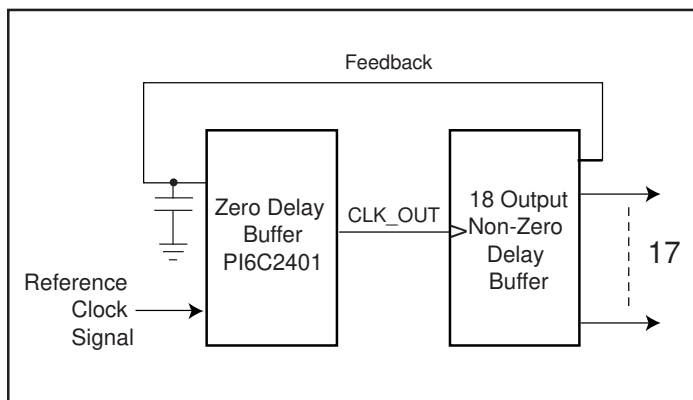
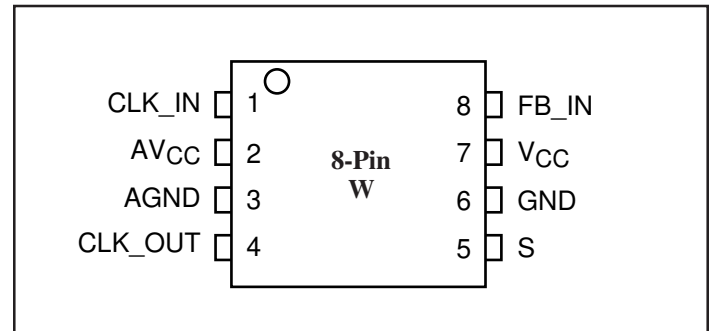
Logic Block Diagram

Product Pin Configuration


Figure 1. This Combination Provides Zero-Delay Between the Reference Clocks Signal and 17 Outputs

Control Input

S	Output Source	PLL Shutdown
1	PLL	N
0	CLK_IN	Y

Pin Functions

Pin Name	Pin Number	Type	Description
CLK_IN	1	I	Reference Clock input. CLK_IN allows spread spectrum clock input.
AVCC	2	Power	Analog power supply.
AGND	3	Ground	Analog ground.
CLK_OUT	4	O	Clock outputs. The output provides low-skew copies of CLK_IN and has an embedded series-damping resistor.
S	5	I	Control Input S. S is used to bypass the PLL for test purposes. When S is strapped to ground, PLL is bypassed and CLK_IN is buffered directly to the device outputs.
GND	6	Ground	Ground.
VCC	7	Power	Power supply.
FB_IN	8	I	Feedback input. FB_IN provides the feedback signal to the internal PLL.

DC Specifications (Absolute maximum ratings over operating free-air temperature range)

Symbol	Parameter	Min.	Max.	Units
V _I	Input voltage range	-0.5	V _{CC} + 0.5	V
V _O	Output voltage range			
V _I _DC	DC input voltage		+5.0	
IO_DC	DC output current		100	mA
Power	Maximum power dissipation at T _A = 55°C in still air		1.0	W
T _{STG}	Storage temperature	-65	150	°C

Note: Stress beyond those listed under “absolute maximum ratings” may cause permanent damage to the device.

Parameter	Test Conditions	VCC	Min.	Typ.	Max.	Units
I _{CC}	V _I = V _{CC} or GND; I _O = 0 ⁽¹⁾	3.6V			10	μA
C _I	V _I = V _{CC} or GND	3.3V		4		pF
C _O	V _O = V _{CC} or GND			6		

Note:

1. Continuous output current

Recommended Operating Conditions

Symbol	Parameter	Min.	Max.	Units
V _{CC}	Supply voltage	3.0	3.6	V
V _{IH}	High level input voltage	2.0		
V _{IL}	Low level input voltage		0.8	
V _I	Input voltage	0	V _{CC}	
T _A	Operating free-air temperature	0	70	°C

Electrical Characteristics

 (Over recommended operating free-air temperature range Pull Up/Down Currents, V_{CC} = 3.0V)

Symbol	Parameter	Condition	Min.	Max.	Units
I _{OH}	Pull-up current	V _{OUT} = 2.4V		-12	mA
		V _{OUT} = 2.0V		-18	
I _{OL}	Pull-down current	V _{OUT} = 0.8V	18		
		V _{OUT} = 0.55V	12		

AC Specifications Timing Requirements

(Over recommended ranges of supply voltage and operating free-air temperature)

Symbol	Parameter	Min.	Max.	Units
F _{CLOCK}	Clock frequency	25	134	MHz
D _{CYI}	Input clock duty cycle	40	60	%
	Stabilization Time after power up		1	ms

Switching Characteristics

 (Over recommended ranges of supply voltage and operating free-air temperature, C_L=30pF)

Parameter	From	To	V _{CC} = 3.3V ± 0.3V, 0-70 °C			Units
			Min.	Typ.	Max.	
t _{phase error without jitter}	CLK_IN ↑ at 100 MHz and 66 MHz	FB_IN ↑			+175	ps
Jitter, cycle-to-cycle	At 100 MHz and 66 MHz	CLK_OUT	-150		+150	
Duty cycle			35		65	%
t _r , rise-time, 0.4V to 2.0V		CLK_OUT		1.0		ns
t _f , fall-time, 2.0V to 0.4V				1.1		

Note: These switching parameters are guaranteed by design.

Package Mechanical Information

Plastic 8-pin SOIC Package

DOCUMENT CONTROL NO.
PD - 1001

REVISION: F
DATE: 03/09/05

PERICOM
Pericom Semiconductor Corporation
3545 N. 1st Street, San Jose, CA 95134
1-800-435-2335 • www.pericom.com

DESCRIPTION: 8-Pin, 150-Mil Wide, SOIC

PACKAGE CODE: W

X.XX DENOTES DIMENSIONS
IN MILLIMETERS

Notes:
1) Controlling dimensions in millimeters.
2) Ref: JEDEC MS-012D/AA

Ordering Information

Ordering Code	Package Code	Package Type	Operating Range
PI6C2401WE	W	Pb-free and Green 8-pin 150-mil SOIC	Commercial

Notes:

1. Thermal characteristics can be found on the company web site at www.pericom.com/packaging/
2. X = Tape/Reel
3. E = Pb-free & Green