



Chipsmall Limited consists of a professional team with an average of over 10 year of expertise in the distribution of electronic components. Based in Hongkong, we have already established firm and mutual-benefit business relationships with customers from,Europe,America and south Asia,supplying obsolete and hard-to-find components to meet their specific needs.

With the principle of “Quality Parts,Customers Priority,Honest Operation,and Considerate Service”,our business mainly focus on the distribution of electronic components. Line cards we deal with include Microchip,ALPS,ROHM,Xilinx,Pulse,ON,Everlight and Freescale. Main products comprise IC,Modules,Potentiometer,IC Socket,Relay,Connector.Our parts cover such applications as commercial,industrial, and automotives areas.

We are looking forward to setting up business relationship with you and hope to provide you with the best service and solution. Let us make a better world for our industry!



Contact us

Tel: +86-755-8981 8866 Fax: +86-755-8427 6832

Email & Skype: info@chipsmall.com Web: www.chipsmall.com

Address: A1208, Overseas Decoration Building, #122 Zhenhua RD., Futian, Shenzhen, China



**Phase-Locked Loop Clock Driver
with 4 Clock Outputs**

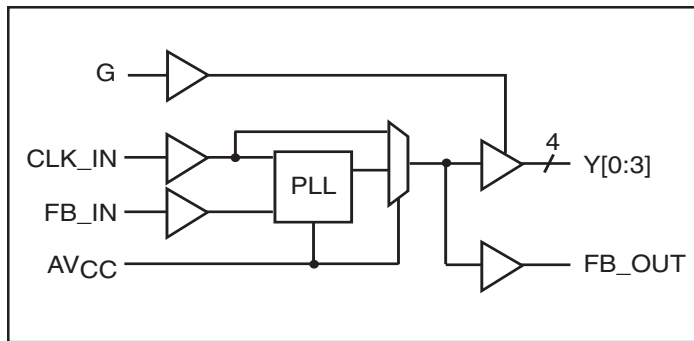
Product Features

- High-Performance Phase-Locked-Loop Clock Distribution for Networking
- Registered DIMM Synchronous DRAM modules for server/workstation/PC applications
- Allows Clock Input to have Spread Spectrum modulation for EMI reduction
- Zero Input-to-Output delay
- Low jitter: Cycle-to-Cycle jitter ± 75 ps max.
- On-chip series damping resistor at clock output drivers for low noise and EMI reduction
- Operates at 3.3V V_{CC}
- Wide range of Clock Frequencies 80 to 134 MHz
- Package: Plastic 16-pin QSOP Package (Q)
Plastic 16-pin QSOP Package (QE) Pb-free

Product Description

The PI6C2504A features a low-skew, low-jitter, phase-locked loop (PLL) clock driver, distributing high-frequency clock signals for SDRAM and server applications. By connecting the feedback FB_OUT output to the feedback FB_IN input, the propagation delay from the CLK_IN input to any clock output will be nearly zero.

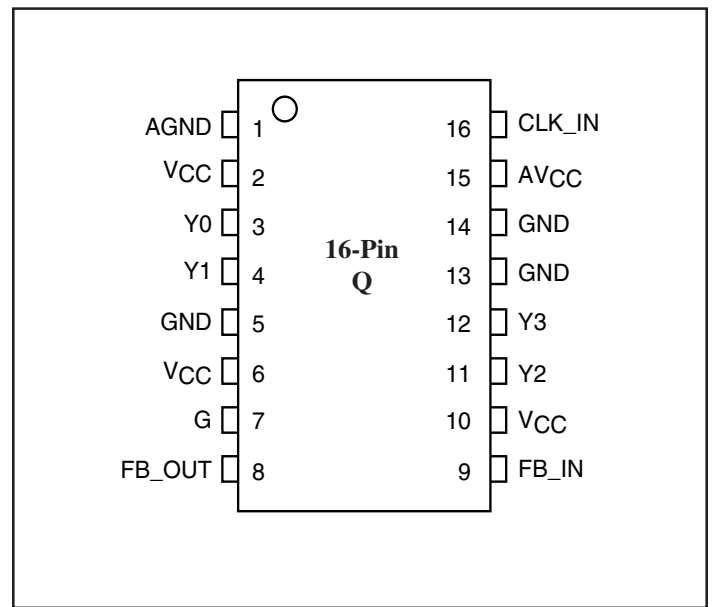
Logic Block Diagram



Functional Table

Inputs	Outputs	
G	Y[0:3]	FB_OUT
L	L	CLK_IN
H	CLK_IN	CLK_IN

Product Pin Configuration



Pin Functions

Pin Name	Pin No.	Type	Description
CLK_IN	16	I	Reference Clock input. CLK_IN allows spread spectrum clock input.
FB_IN	9	I	Feedback input. FB_IN provides the feedback signal to the internal PLL.
G	7	I	Output bank enable. When G is LOW, outputs Y[0:3] are disabled to a logic low state.
FB_OUT	8	O	Feedback output. FB_OUT is dedicated for external feedback. FB_OUT has an embedded series-damping resistor of the same value as the clock outputs Yx.
Y[0:3]	3,4,11,12	O	Clock outputs. These outputs provide low-skew copies of CLK_IN Each output has an embedded series-damping resistor.
AV _{CC}	15	Power	Analog power supply. For test purposes, AV _{CC} can be also used to bypass the PLL. When AV _{CC} is strapped to ground, PLL is bypassed and CLK_IN is buffered directly to the device outputs.
AGND	1	Ground	Analog ground. AGND provides the ground reference for the analog circuitry.
V _{CC}	2, 6, 10	Power	Power supply.
GND	5, 13, 14	Ground	Ground

DC Specifications⁽¹⁾ (Absolute maximum ratings over operating free-air temperature range)

Symbol	Parameter	Min.	Max.	Units
V _I	Input voltage range	-0.5	V _{CC} +0.5	V
V _O	Output voltage range			
V _{I,DC}	DC input voltage		3.8	
I _{O,DC}	DC output current		100	mA
Power	Maximum power dissipation at T _A = 55°C in still air		1.0	W
T _{STG}	Storage temperature	-65	150	°C

Note:

1. Stress beyond those listed under “absolute maximum ratings” may cause permanent damage to the device.

Parameter	Test Conditions	V _{CC}	Min.	Typ.	Max.	Units
I _{CC}	V _I = V _{CC} or GND; I _O = 0 ⁽²⁾ Standby Current	3.6V			10	μA
C _I	V _I = V _{CC} or GND	3.3V		4		pF
C _O	V _O = V _{CC} or GND			6		

Note:

2. Continuous Output Current

Recommended Operating Conditions

Symbol	Parameter	Min.	Max.	Units
V _{CC}	Supply voltage	3.0	3.6	V
V _{IH}	High level input voltage	2.0		
V _{IL}	Low level input voltage		0.8	
V _I	Input voltage	0	V _{CC}	
T _A	Operating free-air temperature	0	70	°C

Electrical Characteristics (Over Recommended Operating Free-Air Temperature Range)

Pull Up/Down Currents of PI6C2504A, $V_{CC} = 3.0V$

Symbol	Parameter	Condition	Min.	Max.	Units
I _{OH}	Pull-up current	V _{out} = 2.4V		-13.6	mA
	Pull-up current	V _{out} = 2.0V		-22	
I _{OL}	Pull-down current	V _{out} = 0.8V	19		
	Pull-down current	V _{out} = 0.55V	13		

AC Specifications

(Timing requirements over recommended ranges of supply voltage and operating free-air temperature)

Symbol	Parameter	Min.	Max.	Units
F _{CLK}	Clock frequency PI6C2504A	80	134	MHz
D _{CYI}	Input clock duty cycle	40	60	%
	Stabilization Time after power up		1	ms

Switching Characteristics⁽³⁾

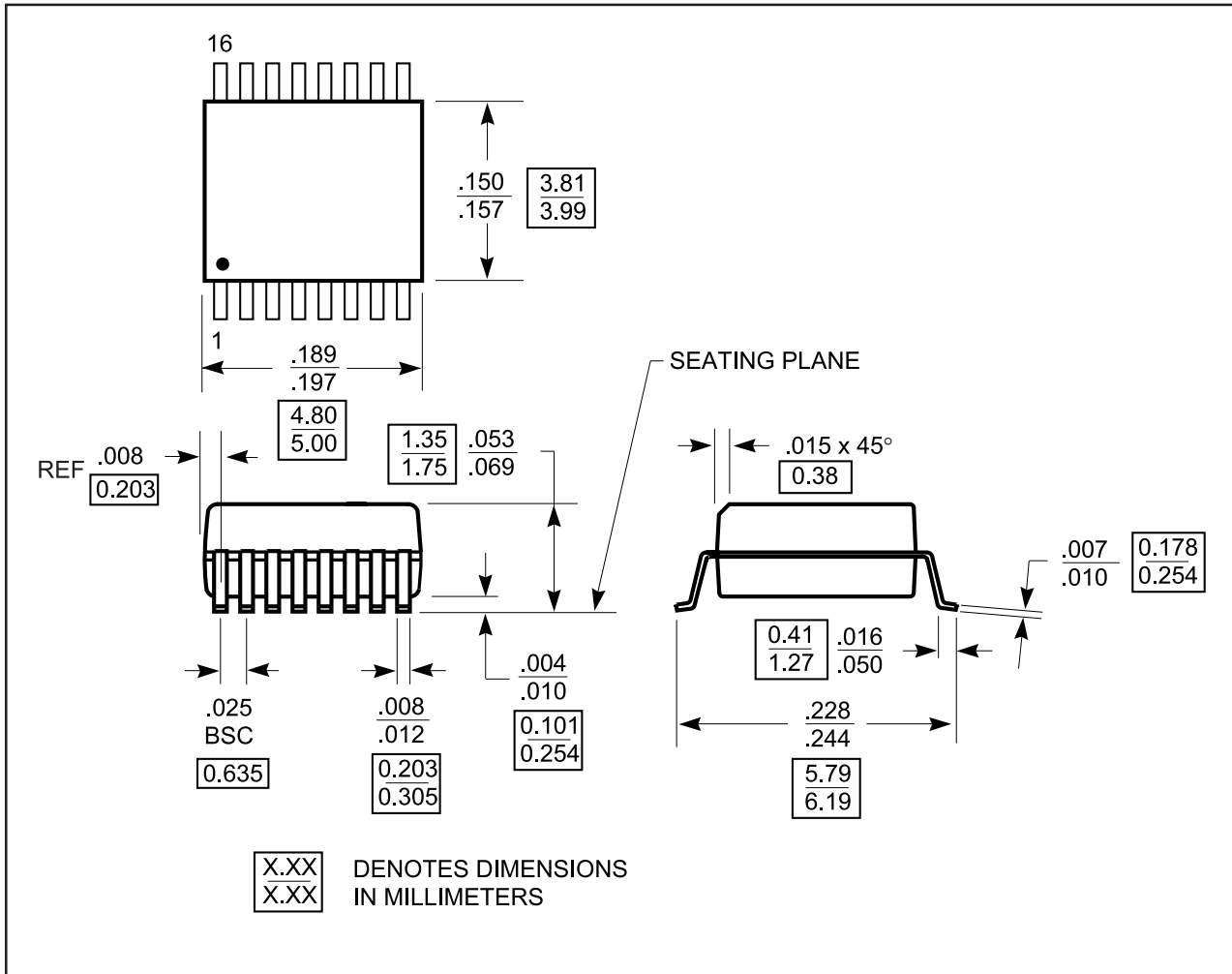
(Over recommended ranges of supply voltage and operating free-air temperature, CL = 30pF)

Parameter	From (Input)	To (Output)	V _{CC} = 3.3V ±0.3V, 0-70°C			Units
			Min.	Typ.	Max.	
t _{phase error without jitter}	CLK_IN↑ at 100 & 66 MHz	FB_IN↑	-150		+150	ps
Jitter, cycle-to-cycle	At 100 & 66 MHz	CLK_OUT	-75		+75	
Duty cycle			45		55	%
t _r , rise-time, 0.4V to 2.0V					1.0	ns
t _f , fall-time, 2.0V to 0.4V					1.1	

Note:

3. These switching parameters are guaranteed by design.

Package Mechanical Information: 16-pin QSOP Package (Q).



Ordering Information

Ordering Code	Package Name	Package Type	Operating Range
PI6C2504AQ	Q	16-pin QSOP	Commercial
PI6C2504AQE	QE	16-pin QSOP	Commercial