



Chipsmall Limited consists of a professional team with an average of over 10 year of expertise in the distribution of electronic components. Based in Hongkong, we have already established firm and mutual-benefit business relationships with customers from,Europe,America and south Asia,supplying obsolete and hard-to-find components to meet their specific needs.

With the principle of “Quality Parts,Customers Priority,Honest Operation,and Considerate Service”,our business mainly focus on the distribution of electronic components. Line cards we deal with include Microchip,ALPS,ROHM,Xilinx,Pulse,ON,Everlight and Freescale. Main products comprise IC,Modules,Potentiometer,IC Socket,Relay,Connector.Our parts cover such applications as commercial,industrial, and automotives areas.

We are looking forward to setting up business relationship with you and hope to provide you with the best service and solution. Let us make a better world for our industry!



## Contact us

Tel: +86-755-8981 8866 Fax: +86-755-8427 6832

Email & Skype: info@chipsmall.com Web: www.chipsmall.com

Address: A1208, Overseas Decoration Building, #122 Zhenhua RD., Futian, Shenzhen, China



**PI6C4853111**

**2.5V/3.3V 500MHz Low Skew 1-to-10 Differential to LVPECL Fanout Buffer with 2 to 1 Differential Clock Input Mux**

**Features**

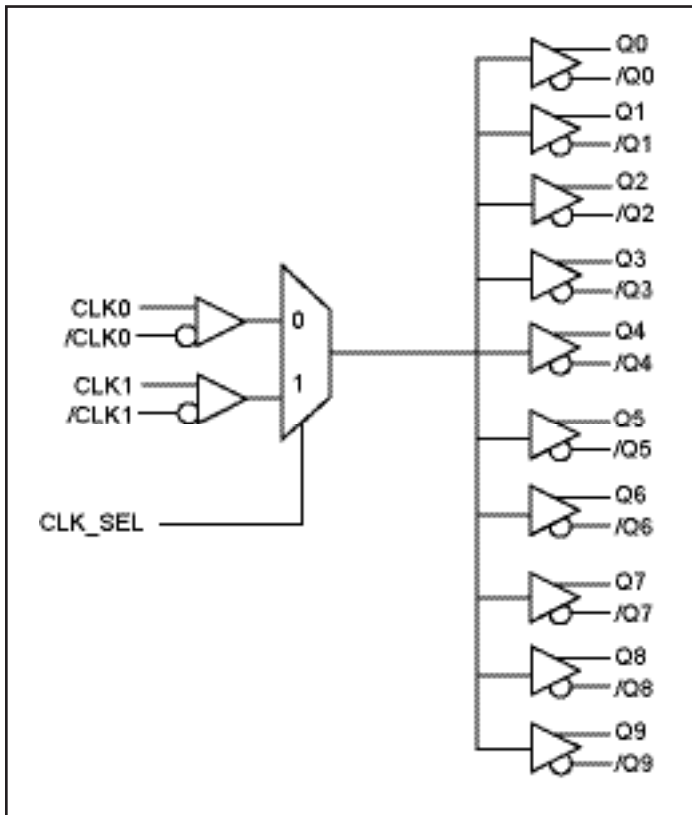
- $F_{MAX} = 500\text{MHz}$
- 10 pairs of differential LVPECL outputs
- Low additive jitter, <100fs 12k-20MHz
- Selectable differential input pairs with single ended input option
- Input CLK accepts: LVPECL, LVDS, CML, SSTL input level
- Output skew: 35ps (typ)
- Operating Temperature:  $-40^{\circ}\text{C}$  to  $85^{\circ}\text{C}$
- Core Power supply:  $3.3\text{V} \pm 10\%$ , Output Power supply:  $2.5\text{V} \pm 5\%$  &  $3.3\text{V} \pm 10\%$
- Packaging (Pb-free & Green):  
-32-pin TQFP (FA)

**Description**

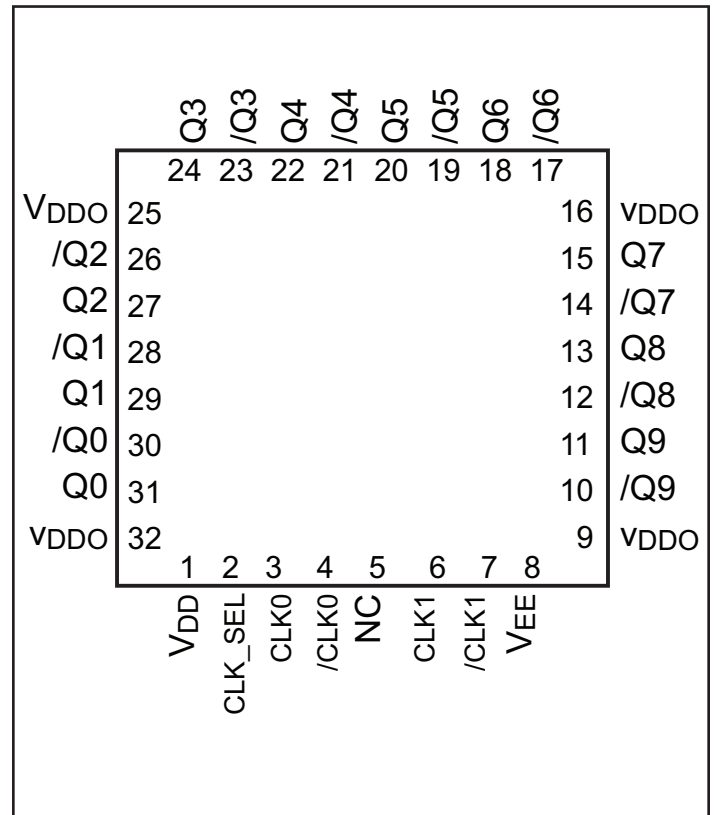
The PI6C4853111 is a high-performance low-skew 1-to-10 LVPECL fanout buffer. The PI6C4853111 features two selectable differential clock inputs and translates to ten LVPECL outputs. The CLK inputs accept LVPECL, LVDS, CML and SSTL signals.

PI6C4853111 is ideal for clock distribution applications such as providing fanout for low noise SaRonix-eCera oscillators.

**Block Diagram**



**Pin Configuration**



**PI6C4853111**

### Pin Description<sup>(1)</sup>

Name	Pin #	Type	Description
V <sub>EE</sub>	8	P	Connect to negative power supply
CLK_SEL	2	I	Clock select input. When high, selects CLK1 input. When low, selects CLK0 input. LVCMOS/LVTTL level with 50kΩ pull down.
CLK0	3	I	Differential LVPECL clock input with 75kΩ pull-down
/CLK0	4	I	Inverting differential LVPECL clock input. Defaults to V <sub>DD</sub> /2 if left floating.
CLK1	6	I	Differential LVPECL clock input with 75kΩ pull-down
/CLK1	7	I	Inverting differential LVPECL clock input. Defaults to V <sub>DD</sub> /2 if left floating.
NC	5		No Connect
V <sub>DDO</sub>	9,16, 25,32	P	Output Power pin
V <sub>DD</sub>	1	P	Core Power Supply
Q3, /Q3	24,23	O	Differential output pair, LVPECL interface level.
Q2, /Q2	27,26	O	Differential output pair, LVPECL interface level.
Q1, /Q1	29,28	O	Differential output pair, LVPECL interface level.
Q0, /Q0	31,30	O	Differential output pair, LVPECL interface level.
Q9, /Q9	11,10	O	Differential output pair, LVPECL interface level.
Q8, /Q8	13,12	O	Differential output pair, LVPECL interface level.
Q7, /Q7	15,14	O	Differential output pair, LVPECL interface level.
Q6, /Q6	18,17	O	Differential output pair, LVPECL interface level.
Q5, /Q5	20,19	O	Differential output pair, LVPECL interface level.
Q4, /Q4	22,21	O	Differential output pair, LVPECL interface level.

**Note:**

1. I = Input, O = Output, P = Power supply connection.

### Pin Characteristics

Symbol	Parameter	Conditions	Min.	Typ.	Max.	Units
R	Input Pullup/Pulldown Resistance			50		kΩ

### Control Input Function Table

Inputs	Outputs
0	CLK0
1	CLK1

### Absolute Maximum Ratings<sup>(1)</sup>

Symbol	Parameter	Conditions	Min	Typ	Max	Units
V <sub>DD</sub>	Supply voltage	Referenced to GND			4.6	V
V <sub>IN</sub>	Input voltage	Referenced to GND	-0.5		V <sub>DD</sub> +0.5V	V
I <sub>OUT</sub>	Surge Current				100	mA
T <sub>STG</sub>	Storage temperature		-65		150	°C
V <sub>BB</sub>	Smk/source Current, I <sub>BB</sub>		-0.5		+0.5	mA
T <sub>J</sub>	Junction Temperature				125	°C

**Note:**

1. Stresses above those listed under "Absolute Maximum Ratings" may cause permanent damage to the device. These ratings are stress specifications only and correct functional operation of the device at these or any other conditions above those listed in the operational sections of the specifications is not implied. Exposure to absolute maximum rating conditions for extended periods may affect product reliability.

### Operating Conditions

Symbol	Parameter	Conditions	Min	Typ	Max	Units
V <sub>DD</sub>	Power Supply Voltage		3.0		3.6	V
V <sub>DDO</sub>	Output Power Supply Voltage		2.375		3.6	V
T <sub>A</sub>	Ambient Temperature		-40		85	°C

### LVC MOS/LVTTL DC Characteristics (T<sub>A</sub> = -40°C to +85°C, V<sub>DD</sub> = 3.3V ±5%, V<sub>DDO</sub> = 2.5V ±5% to 3.3V ±10%)

Symbol	Parameter		Conditions	Min	Typ	Max	Units
V <sub>IH</sub>	Input High Voltage	CLK_SEL		2		V <sub>DD</sub> +0.3	V
V <sub>IL</sub>	Input Low Voltage	CLK_SEL		-0.3		0.8	
I <sub>IH</sub>	Input High Current	CLK_SEL	V <sub>IN</sub> = V <sub>DD</sub> = 3.6V			150	μA
I <sub>IL</sub>	Input Low Current	CLK_SEL	V <sub>IN</sub> = 0V, V <sub>DD</sub> = 3.6V	-5			μA

**LVPECL DC Characteristics** ( $T_A = -40^{\circ}\text{C}$  to  $+85^{\circ}\text{C}$ ,  $V_{DD} = 3.3\text{V} \pm 10\%$ ,  $V_{DDO} = 2.5\text{V} \pm 5\%$  to  $3.3\text{V} \pm 10\%$ )

Symbol	Parameter	Conditions	Min	Typ	Max	Units
$I_{IH}$	Input High Current	CLK0, CLK1	$V_{IN} = V_{DD} = 3.6\text{V}$		150	$\mu\text{A}$
		/CLK0, /CLK1	$V_{IN} = V_{DD} = 3.6\text{V}$		150	$\mu\text{A}$
$I_{IL}$	Input Low Current	CLK0, CLK1	$V_{DD} = 3.6\text{V}$ , $V_{IN} = 0\text{V}$	-5		$\mu\text{A}$
		/CLK0, /CLK1	$V_{DD} = 3.6\text{V}$ , $V_{IN} = 0\text{V}$	-150		$\mu\text{A}$
$V_{PP}$	Peak-to-peak Voltage		0.3		1	V
$V_{CMR}$	Common Mode Input Voltage <sup>(1)</sup>		$V_{EE}+1.5$		$V_{DD}$	V
$V_{OH}$	Output High Voltage <sup>(2)</sup>	$V_{DDO} = 2.5\text{V}$ or $3.3\text{V}$	$V_{DDO}-1.4$		$V_{DDO}-0.9$	V
$V_{OL}$	Output Low Voltage <sup>(2)</sup>	$V_{DDO} = 2.5\text{V}$ or $3.3\text{V}$	$V_{DDO}-2.0$		$V_{DDO}-1.7$	V
$V_{SWING}$	Peak-to-peak Output Voltage Swing		0.6		1.0	V
$I_{EE}$	Power Supply Current	@ 400 MHz		120	140	mA

**Notes:**

- For single-ended applications, the maximum input voltage for CLK and /CLK is  $V_{DD}+0.3\text{V}$
- Outputs terminated with  $50\Omega$  to  $V_{DD}-2.0\text{V}$

**AC Characteristics** ( $T_A = -40^{\circ}\text{C}$  to  $+85^{\circ}\text{C}$ ,  $V_{DD} = 3.3\text{V} \pm 10\%$ ,  $V_{DDO} = 2.5\text{V} \pm 5\%$  to  $3.3\text{V} \pm 10\%$ )

Symbol	Parameter	Conditions	Min	Typ	Max	Units
$f_{max}$	Output Frequency				500	MHz
$t_{pd}$	Propagation Delay <sup>(1)</sup>				4	ns
$T_{sk}$	Output-to-output Skew <sup>(2)</sup>			35	60	ps
$t_r/t_f$	Output Rise/Fall time	20% - 80%	150		700	ps
odc	Output duty cycle	$f \leq 400\text{ MHz}$	45		55	%
$J_{add}$	Additive jitter	$V_{DD} = V_{DDO} = 2.5\text{V}$ or $3.3\text{V}$		75		fs

**Notes:**

- Measured from the differential input to the differential output crossing point
- Defined as skew between outputs at the same supply voltage and with equal loads. Measured at the output differential crossing point

**Additive Jitter Calculation**

The additive jitter is measured at 12kHz to 20MHz standard noise band with the LVPECL differential input clock at 156.25MHz.

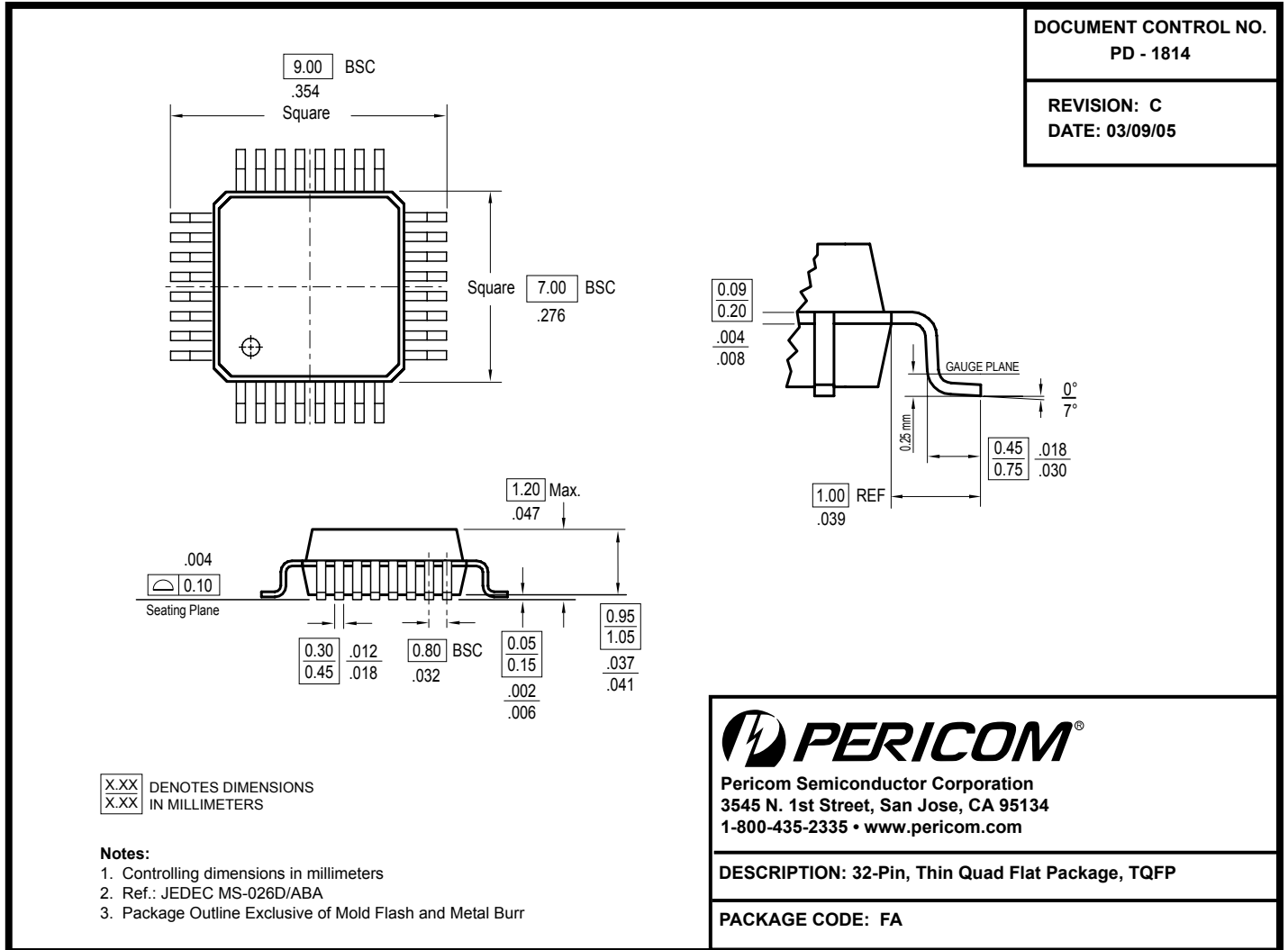
$$\text{additive jitter} = \sqrt{\text{jitter}_{out}^2 - \text{jitter}_{in}^2}$$

**Summary of Phase Jitter (Diff. Input and Diff. Output)**

	Input	Output	Additive Jitter	Unit
$V_{DD} = 3.3\text{V}$ , 12kHz-20MHz	253.7	259.7	55.5	fs RMS
$V_{DD} = 2.5\text{V}$ , 12kHz-20MHz	186.6	201.3	75.5	fs RMS

PI6C4853111

**Packaging Mechanical: 32-pin TQFP (FA)**



**Ordering Information(1,2,3)**

Ordering Code	Package Code	Package Description
PI6C4853111FAE	FA	Pb-free & Green, 32-pin TQFP
PI6C4853111FAEX	FA	Pb-free & Green, 32-pin TQFP, pin 1 orientation on top right in tape and reel
PI6C4853111FAE+CWX	FA	Pb-free & Green, 32-pin TQFP, pin 1 orientation on top left in tape and reel

**Notes:**

1. Thermal characteristics can be found on the company web site at [www.pericom.com/packaging/](http://www.pericom.com/packaging/)
2. E = Pb-free & Green
3. X suffix = Tape/Reel