



Chipsmall Limited consists of a professional team with an average of over 10 year of expertise in the distribution of electronic components. Based in Hongkong, we have already established firm and mutual-benefit business relationships with customers from,Europe,America and south Asia,supplying obsolete and hard-to-find components to meet their specific needs.

With the principle of “Quality Parts,Customers Priority,Honest Operation,and Considerate Service”,our business mainly focus on the distribution of electronic components. Line cards we deal with include Microchip,ALPS,ROHM,Xilinx,Pulse,ON,Everlight and Freescale. Main products comprise IC,Modules,Potentiometer,IC Socket,Relay,Connector.Our parts cover such applications as commercial,industrial, and automotives areas.

We are looking forward to setting up business relationship with you and hope to provide you with the best service and solution. Let us make a better world for our industry!



## Contact us

Tel: +86-755-8981 8866 Fax: +86-755-8427 6832

Email & Skype: info@chipsmall.com Web: www.chipsmall.com

Address: A1208, Overseas Decoration Building, #122 Zhenhua RD., Futian, Shenzhen, China



**16-Bit 1.5-2.5V to 3.3V Level Shifting Transceiver with 3-State Outputs**

**Features**

- PI74AVC164245LA is designed for low voltage operation: 1.5V - 2.5V to 3.3V
- Industrial operation at -40°C to +85°C
- Packag (Pb-free & Green available):
  - 48-pin plastic 240-mil TSSOP (A)
  - 48-pin plastic 173-mil TVSOP (K)

**Description**

Pericom Semiconductor's PI74AVC164245LA, a 16-bit (dual-octal) noninverting bus transceiver, contains two separate supply rails: B port ( $V_{CCB}$ ), set at 3.3V, and A port ( $V_{CCA}$ ), set to operate at 1.5-2.5V. This arrangement permits translation from a 1.5-2.5V to 3.3V environment and vice versa. The control pins, OE and DIR are controlled by  $V_{CCB}$ .

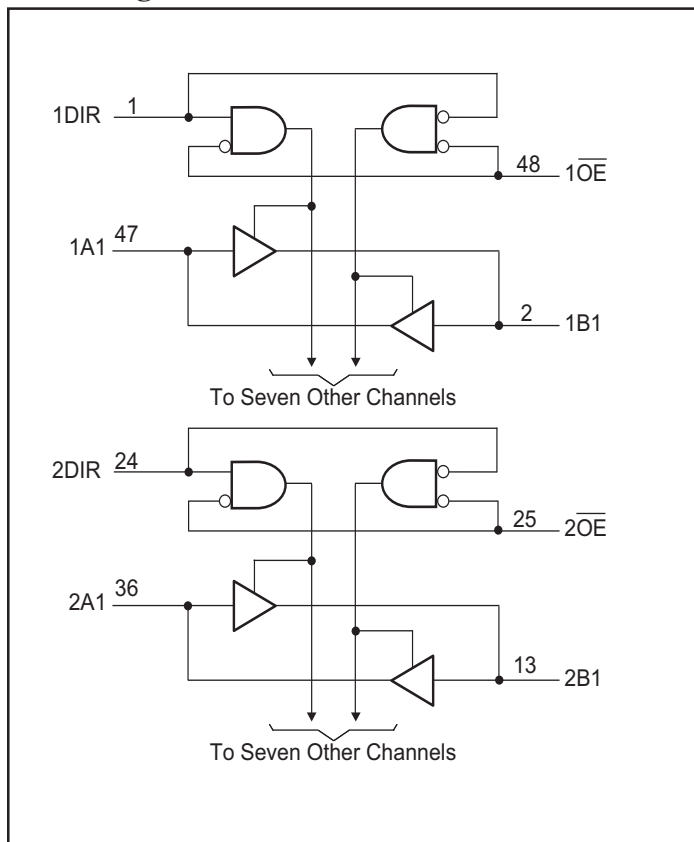
**Truth Table** (each 8-bit section)

Inputs		Operation
$\overline{OE}$	DIR	
L	L	B data to A bus
L	H	A data to B bus
H	X	Isolation

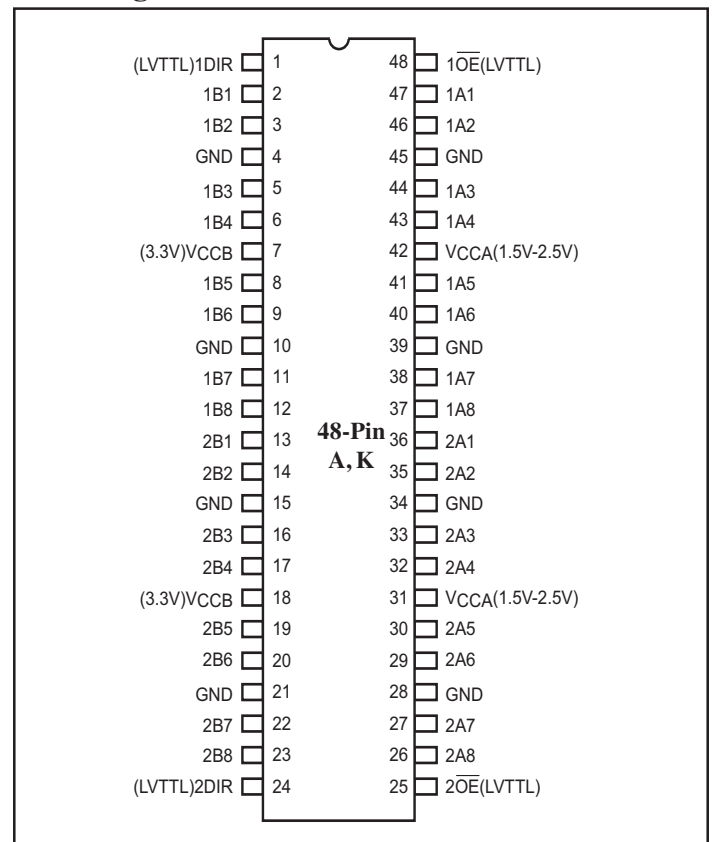
The PI74AVC164245LA is designed for asynchronous communication between data buses.

To ensure the high impedance state during power up or power down, the output-enable ( $\overline{OE}$ ) input should be tied to  $V_{CC}$  through a pullup resistor: the minimum value of the resistor is determined by the current-sinking capability of the driver.

**Block Diagram**



**Pin Configuration**



### Maximum Ratings

(Absolute maximum ratings over operating free-air temperature range from  $V_{CCB}$  at 3.3V &  $V_{CCA}$  at 1.5 - 2.5V, unless otherwise noted)

Supply voltage range: $V_{CCA}$ .....	-0.5V to 3.8V	Continuous output current, $I_O$ .....	$\pm 50$ mA
$V_{CCB}$ .....	-0.5V to 4.6V	Continuous current through each $V_{CC}$ or GND .....	$\pm 100$ mA
Input Voltage Range, $V_I$ Except I/O ports <sup>(1)</sup> .....	-0.5V to 4.6V	Package thermal impedance, $\theta_{JA}$ <sup>(3)</sup> : A package .....	89°C/W
I/O port A <sup>(2)</sup> ...	-0.5V to $V_{CCA}+0.5$ V	K package .....	58°C/W
I/O port B <sup>(1)</sup> ....	-0.5V to $V_{CCB}+0.5$ V	V package .....	94°C/W
Input clamp current, $I_{IK}$ ( $V_I < 0$ ) .....	-50mA	Storage temperature range, $T_{STG}$ .....	-65°C to 150°C
Output clamp current, $I_{OK}$ ( $V_O < 0$ ) .....	-50mA		

**Note:**

Stresses greater than those listed under MAXIMUM RATINGS may cause permanent damage to the device. This is a stress rating only and functional operation of the device at these or any other conditions above those indicated in the operational sections of this specification is not implied. Exposure to absolute maximum rating conditions for extended periods may affect reliability.

### Recommended Operating Conditions for $V_{CCB}$ at 3.3V<sup>(4)</sup>

		Min.	Max.	Units
$V_{CCB}^{(1)}$	Supply voltage	3.0	3.6	V
$V_{IH}$	High-level voltage	2		
$V_{IL}$	Low-level voltage		0.8	
$V_{IA}$	Input Voltage	0	$V_{CCB}$	
$V_{OB}$	Output Voltage	0	$V_{CCB}$	
$I_{OH}$	High-level output current		-12	mA
$I_{OL}$	Low-level output current		12	
$\Delta t/\Delta v$	Input transition rise or fall rate		10	ns/V
$T_A$	Operating free-air temperature	-40	85	°C

### Recommended Operating Conditions for $V_{CCA}$ at 2.5V<sup>(4)</sup>

		Min.	Max.	Units
$V_{CCA}^{(2)}$	Supply voltage	2.3	2.7	V
$V_{IH}$	High-level voltage	$V_{CCA} = 2.3$ V to 2.7V	1.7	
$V_{IL}$	Low-level voltage	$V_{CCA} = 2.3$ V to 2.7V	0.7	
$V_{IB}$	Input voltage	0	$V_{CCA}$	
$V_{OA}$	Output voltage	0	$V_{CCA}$	
$I_{OH}$	High-level output current	$V_{CCA} = 2.3$ V	-8	mA
		$V_{CCA} = 2.7$ V	-12	
$I_{OL}$	Low-level output current	$V_{CCA} = 2.3$ V	8	
		$V_{CCA} = 2.7$ V	12	
$\Delta t/\Delta v$	Input transition rise or fall rate		10	ns/V
$T_A$	Operating free-air temperature	-40	85	°C

**Notes:**

1. This value is limited to 4.6V maximum.
2. This value is limited to 3.8V maximum.
3. The package thermal impedance is calculated in accordance with JESD 51.
4. To ensure proper device operation, all unused device inputs must be held at the associated  $V_{CC}$  or GND.



**Recommended Operating Conditions for  $V_{CCA}$  at 1.5V<sup>(2)</sup>**

		Min.	Max.	Units
$V_{CCA(1)}$	Supply voltage	1.4	1.6	V
$V_{IH}$	High-level voltage	$V_{CCA} = 1.4V \text{ to } 1.6V$	$0.65 \times V_{CCA}$	
$V_{IL}$	Low-level voltage	$V_{CCA} = 1.4V \text{ to } 1.6V$	$0.35 \times V_{CCA}$	
$V_{IB}$	Input voltage	0	$V_{CCA}$	
$V_{OA}$	Output voltage	0	$V_{CCA}$	
$I_{OH}$	High-level output current	$V_{CCA} = 1.4V$	-2	mA
		$V_{CCA} = 1.6V$	-6	
$I_{OL}$	Low-level output current	$V_{CCA} = 1.4V$	2	
		$V_{CCA} = 1.6V$	6	
$\Delta t/\Delta v$	Input transition rise or fall rate		10	ns/V
$T_A$	Operating free-air temperature	-40	85	°C

**Electrical Characteristics ( $V_{CCB}$ ) (Over recommended operating free-air temperature range for  $V_{CCB} = 3.3V$ )**

Parameters		Test Conditions	$V_{CCB}$	Min.	Typ <sup>(3)</sup>	Max.	Units
$V_{OH}$ (A to B)	$I_{OH} = -100\mu A$		3.0V	2.8			V
			3.6V	3.4			
	$I_{OH} = -12mA$		3.0V	2.2			
			3.6V	2.8			
$V_{OL}$ (A to B)	$I_{OL} = 100\mu A$		3.0V			0.2	V
			3.6V			0.2	
	$I_{OL} = 12mA$		3.0V			0.5	
			3.6V			0.5	
$I_I$	Control Inputs	$V_I = V_{CCB} \text{ or } GND$	3.6V			$\pm 5$	$\mu A$
$I_{OZ}^{(4)}$	A or B ports	$V_O = V_{CCB} \text{ or } GND$	3.6V			$\pm 10$	
$I_{CC}$		$V_I = V_{CCB} \text{ or } GND, I_O = 0$	3.6V			20	
$\Delta I_{CC}^{(5)}$		One input at $V_{CCB} - 0.6V$ , Other inputs at $V_{CCB} \text{ or } GND$	3.0V to 3.6V			500	
$C_I$	Control Inputs	$V_I = V_{CCB} \text{ or } GND$	3.3V		4.5		pF
$C_{IO}$	A or B ports	$V_O = V_{CCB} \text{ or } GND$	3.3V		6.5		

**Notes:**

1. Value limited to 4.6V maximum..
2. To ensure proper device operation, all unused device inputs must be held at the associated  $V_{CC}$  or GND.
3. Typical values are measured at  $V_{CC} = 3.3V, T_A = 25^\circ C$
4. For I/O ports, the parameter  $I_{OZ}$  includes the input leakage current.
5. This is the increase in supply current for each input that is at one of the specified TTL voltage levels rather than at 0 or the associated  $V_{CC}$ .

**Electrical Characteristics (V<sub>CCA</sub>)** (Over recommended operating free-air temperature range for V<sub>CCA</sub> = 2.5V)

Parameters		Test Conditions	V <sub>CCA</sub>	Min.	Typ. <sup>(2)</sup>	Max.	Units
V <sub>OH</sub> (B to A)		I <sub>OH</sub> = -100μA	2.3V to 2.7V	V <sub>CC</sub> -0.1			V
		I <sub>OH</sub> = -8mA	2.3V	1.7			
		I <sub>OH</sub> = -12mA	2.7V	2.0			
V <sub>OL</sub> (B to A)		I <sub>OL</sub> = 100μA	2.3V to 2.7V			0.2	V
		I <sub>OL</sub> = 8mA	2.3V			0.4	
		I <sub>OL</sub> = 12mA	2.7V			0.5	
I <sub>I</sub>	Control Inputs	V <sub>I</sub> = V <sub>CCA</sub> or GND	2.7V			±5	μA
I <sub>OZ</sub> <sup>(3)</sup>	A or B ports	V <sub>O</sub> = V <sub>CCA</sub> or GND	2.7V			±10	
I <sub>CC</sub>		V <sub>I</sub> = V <sub>CCA</sub> or GND, I <sub>O</sub> = 0	2.7V			30	
ΔI <sub>CC</sub> <sup>(1)</sup>		One input at V <sub>CCA</sub> -0.6V, Other inputs at V <sub>CCA</sub> or GND	2.3V to 2.7V			500	
C <sub>I</sub>	Control Inputs	V <sub>I</sub> = V <sub>CCA</sub> or GND	2.5V		4.5		pF
C <sub>IO</sub>	A or B ports	V <sub>O</sub> = V <sub>CCA</sub> or GND	2.5V		6.5		

**Electrical Characteristics (V<sub>CCA</sub>)** (Over recommended operating free-air temperature range for V<sub>CCA</sub> = 1.5V)

Parameters		Test Conditions	V <sub>CCA</sub>	Min.	Typ. <sup>(2)</sup>	Max.	Units
V <sub>OH</sub> (B to A)		I <sub>OH</sub> = -100μA	1.4V to 1.6V	V <sub>CC</sub> -0.1			V
		I <sub>OH</sub> = -2mA	1.4V	1.1			
		I <sub>OH</sub> = -6mA	1.6V	1.3			
V <sub>OL</sub> (B to A)		I <sub>OL</sub> = 100μA	1.4V			0.2	V
		I <sub>OL</sub> = 2mA	1.6V			0.3	
		I <sub>OL</sub> = 6mA	1.6V			0.4	
I <sub>OZ</sub> <sup>(3)</sup>	A or B ports	V <sub>O</sub> = V <sub>CCA</sub> or GND	1.6V			±5	μA
I <sub>CC</sub>		V <sub>I</sub> = V <sub>CCA</sub> or GND, I <sub>O</sub> = 0	1.6V			±20	
ΔI <sub>CC</sub> <sup>(1)</sup>		One input at V <sub>CCA</sub> -0.6V, Other inputs at V <sub>CCA</sub> or GND	1.4V to 1.6V			300	
C <sub>I</sub>	Control Inputs	V <sub>I</sub> = V <sub>CCA</sub> or GND	1.5V		4.5		pF
C <sub>IO</sub>	A or B ports	V <sub>O</sub> = V <sub>CCA</sub> or GND	1.5V		6.5		

**Notes:**

1. The increase in supply current for each input at one of the specified TTL voltage levels rather than at the associated V<sub>CC</sub>.
2. Typical values are measured at V<sub>CC</sub> = 2.5V or 1.5V, T<sub>A</sub> = 25°C
3. For I/O ports, the parameter I<sub>OZ</sub> includes the input leakage current.

### Switching Characteristics

(Over recommended operating free-air temperature range,  $C_L = 30\text{pF}$  (unless otherwise noted), see Figures 1, 2, 3)

Parameter	From (Input)	To (Output)	PI74AVC164245LA				Units
			$V_{CCB} = 3.3\text{V} \pm 0.3\text{V}$				
			$V_{CCA} = 1.5\text{V} \pm 0.10\text{V}$		$V_{CCA} = 2.5\text{V} \pm 0.2\text{V}$		
			Min.	Max.	Min.	Max.	
$t_{PD}$	A	B	1.0	3.5	1.0	3.0	ns
	B	A	1.0	3.5	1.0	2.8	
$t_{EN}$	$\overline{OE}$	B	1.7	4.5	1.2	3.5	
$t_{DIS}$	$\overline{OE}$	B	1.5	4.5	1.0	3.5	
$t_{EN}$	$\overline{OE}$	A	1.7	4.5	1.2	3.5	
$t_{DIS}$	$\overline{OE}$	A	2.0	4.5	1.5	3.5	
$t_{sk(o)}^{(1)}$						0.3	
$t_{sk(b)}^{(1)}$						0.25	

**Note:**

1. This is the skew between any two outputs of the same package, and switching in the same direction. For  $t_{sk(o)}$ , Output 1 and Output 2 are any two outputs. For  $t_{sk(b)}$ , Output 1 and Output 2 are in the same bank. These parameters are warranted but not production tested.

### Operating Characteristics, $T_A = 25^\circ\text{C}$

Parameters		Test Conditions	$V_{CCA} = 2.5\text{V}$ $V_{CCB} = 3.3\text{V}$	Units
			Typical	
$C_{PD}$ Power Dissipation Capacitance	Outputs Enabled (A or B)	$C_L = 30\text{pF}$ , $F = 10\text{MHz}$	56	pF
			6	

Parameter Measurement Information,  $V_{CCA} = 1.5V \pm 0.10V$

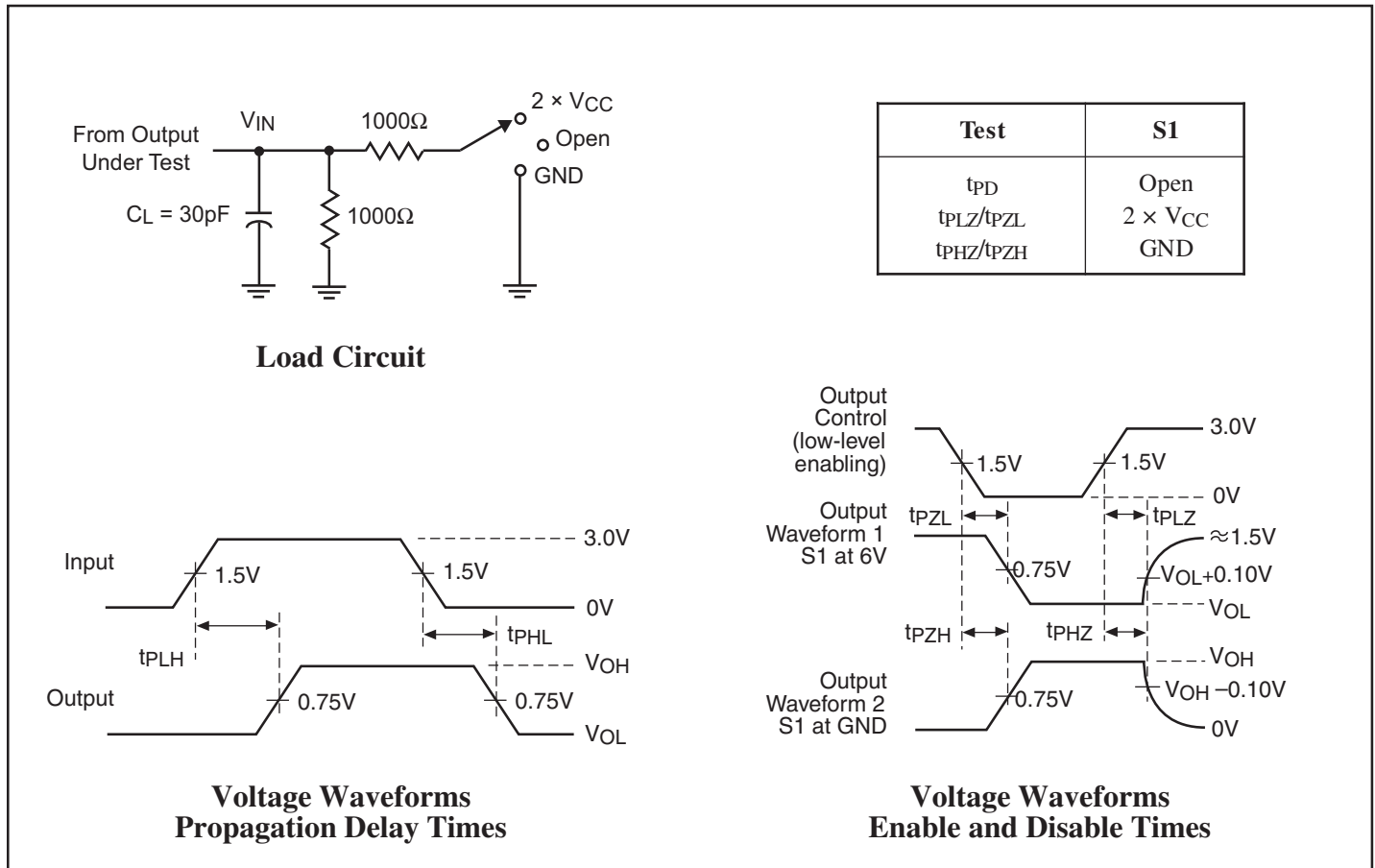


Figure 1. Load Circuit and Voltage Waveforms

**Notes:**

- $C_L$  includes probe and jig capacitance.
- Waveform 1 is for an output with internal conditions such that the output is low except when disabled by the output control.  
Waveform 2 is for an output with internal conditions such that the output is high except when disabled by the output control.
- All input pulses are supplied by generators having the following characteristics:  $PRR \leq 10Mz$ ,  $Z_O = 50\Omega$ ,  $t_R \leq 2.5ns$ ,  $t_F \leq 2.5ns$ .
- The outputs are measured one at a time with one transition per measurement.
- $t_{PLZ}$  and  $t_{PHZ}$  are the same as  $t_{DIS}$ .
- $t_{PZL}$  and  $t_{PZH}$  are the same as  $t_{EN}$ .
- $t_{PLH}$  and  $t_{PHL}$  are the same as  $t_{PD}$ .

Parameter Measurement Information,  $V_{CCA} = 2.5V \pm 0.2V$

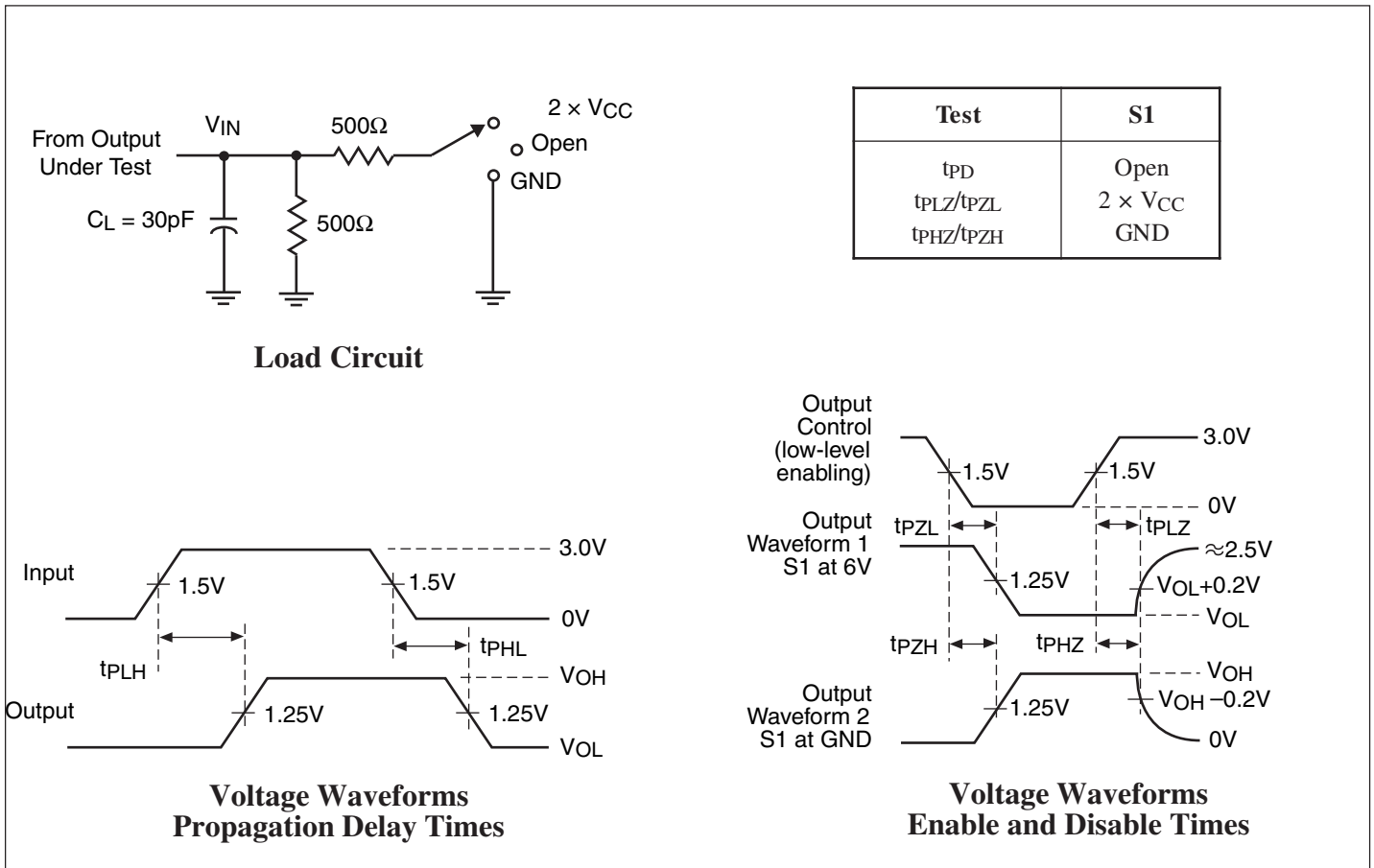


Figure 2. Load Circuit and Voltage Waveforms

**Notes:**

- $C_L$  includes probe and jig capacitance.
- Waveform 1 is for an output with internal conditions such that the output is low except when disabled by the output control.
- Waveform 2 is for an output with internal conditions such that the output is high except when disabled by the output control.
- All input pulses are supplied by generators having the following characteristics:  $PRR \leq 10Mz$ ,  $Z_O = 50\Omega$ ,  $t_R \leq 2.5ns$ ,  $t_F \leq 2.5ns$ .
- The outputs are measured one at a time with one transition per measurement.
- $t_{PLZ}$  and  $t_{PHZ}$  are the same as  $t_{DIS}$ .
- $t_{PZL}$  and  $t_{PZH}$  are the same as  $t_{EN}$ .
- $t_{PLH}$  and  $t_{PHL}$  are the same as  $t_{PD}$ .



Parameter Measurement Information,  $V_{CCB} = 3.3V \pm 0.3V$

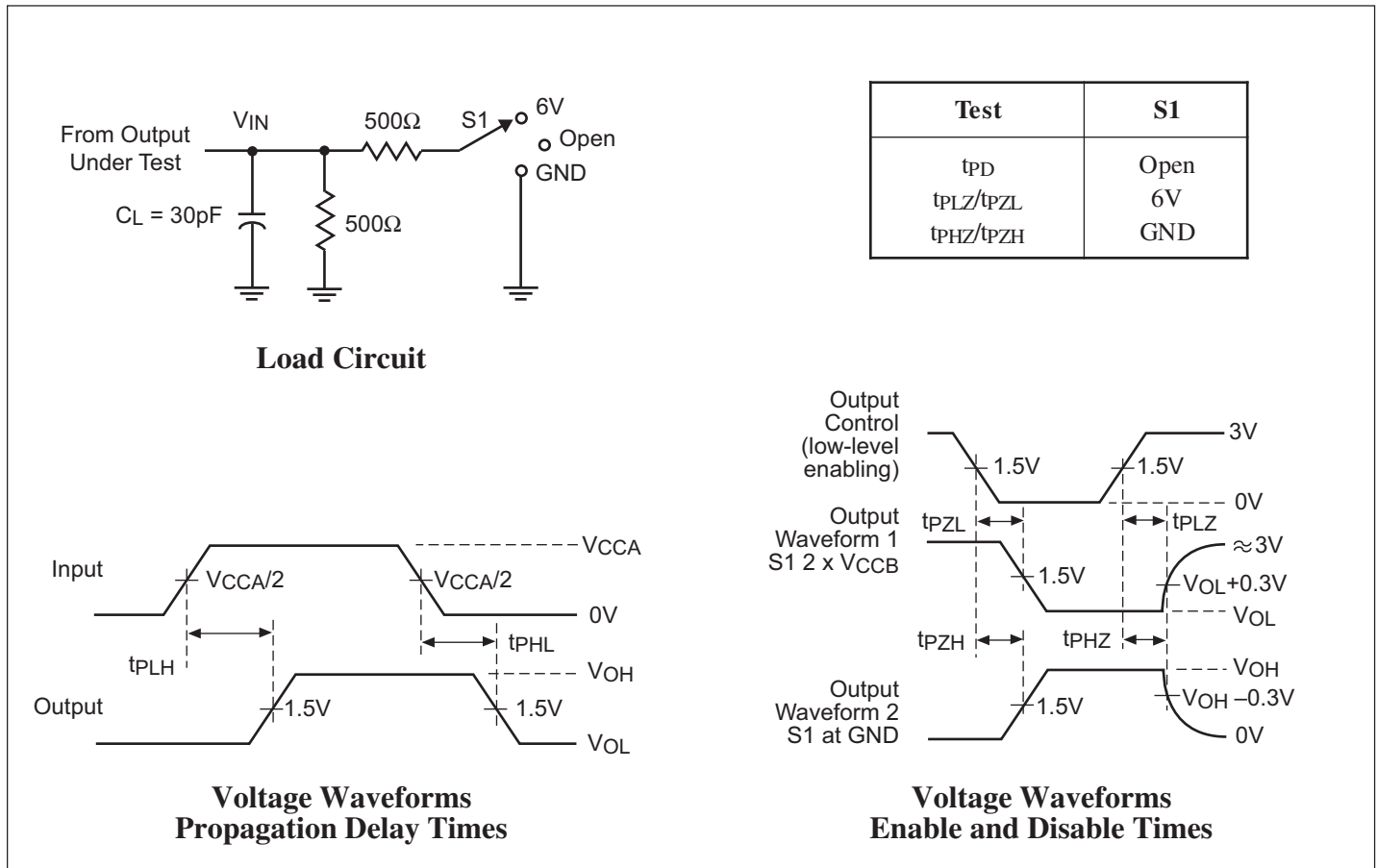


Figure 3. Load Circuit and Voltage Waveforms

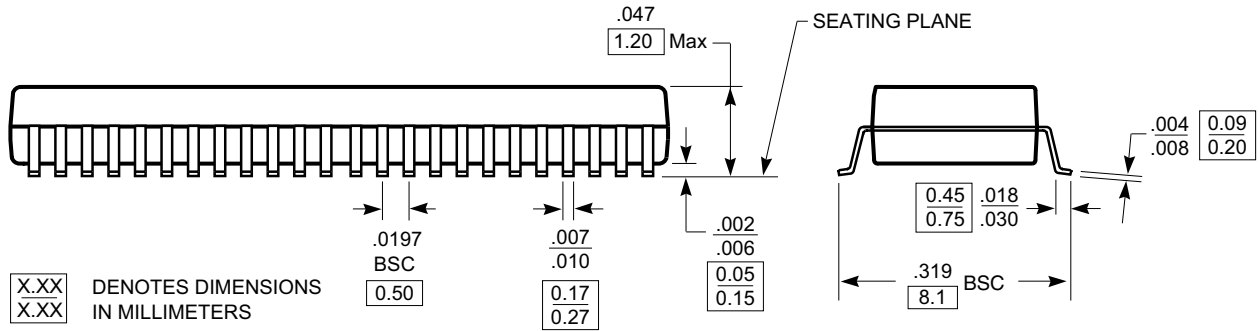
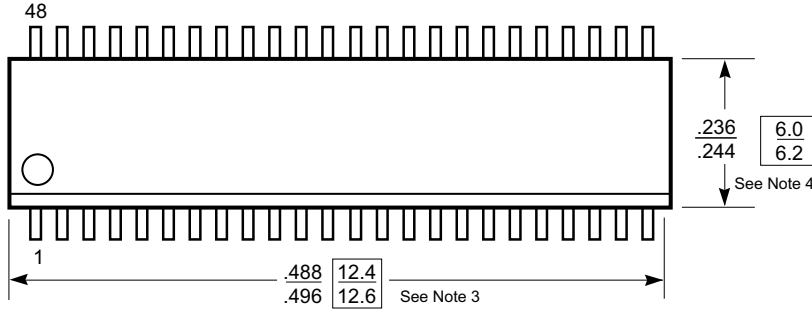
**Notes:**

- $C_L$  includes probe and jig capacitance.
- Waveform 1 is for an output with internal conditions such that the output is low except when disabled by the output control.  
Waveform 2 is for an output with internal conditions such that the output is high except when disabled by the output control.
- All input pulses are supplied by generators having the following characteristics:  $PRR \leq 10Mz$ ,  $Z_O = 50\Omega$ ,  $t_R \leq 2.5ns$ ,  $t_F \leq 2.5ns$ .
- The outputs are measured one at a time with one transition per measurement.
- t<sub>PLZ</sub> and t<sub>PHZ</sub> are the same as t<sub>DIS</sub>.
- t<sub>PZL</sub> and t<sub>PZH</sub> are the same as t<sub>EN</sub>.
- t<sub>PLH</sub> and t<sub>PHL</sub> are the same as t<sub>PD</sub>.

Packaging Mechanical: 48-Pin TSSOP (A)

DOCUMENT CONTROL NO.  
 PD - 1501

REVISION: G  
 DATE: 03/09/05



X.XX DENOTES DIMENSIONS  
 X.XX IN MILLIMETERS

- Note:**
1. Controlling dimensions in millimeters.
  2. Ref: JEDEC MO-153F/ED
  3. Dimension does not include mold flash, protrusions or gate burrs. Mold flash, protrusions and gate burrs shall not exceed 0.15mm per side.
  4. Dimension does not include interlead flash or protrusion. Interlead flash or protrusion shall not exceed 0.25mm per side.

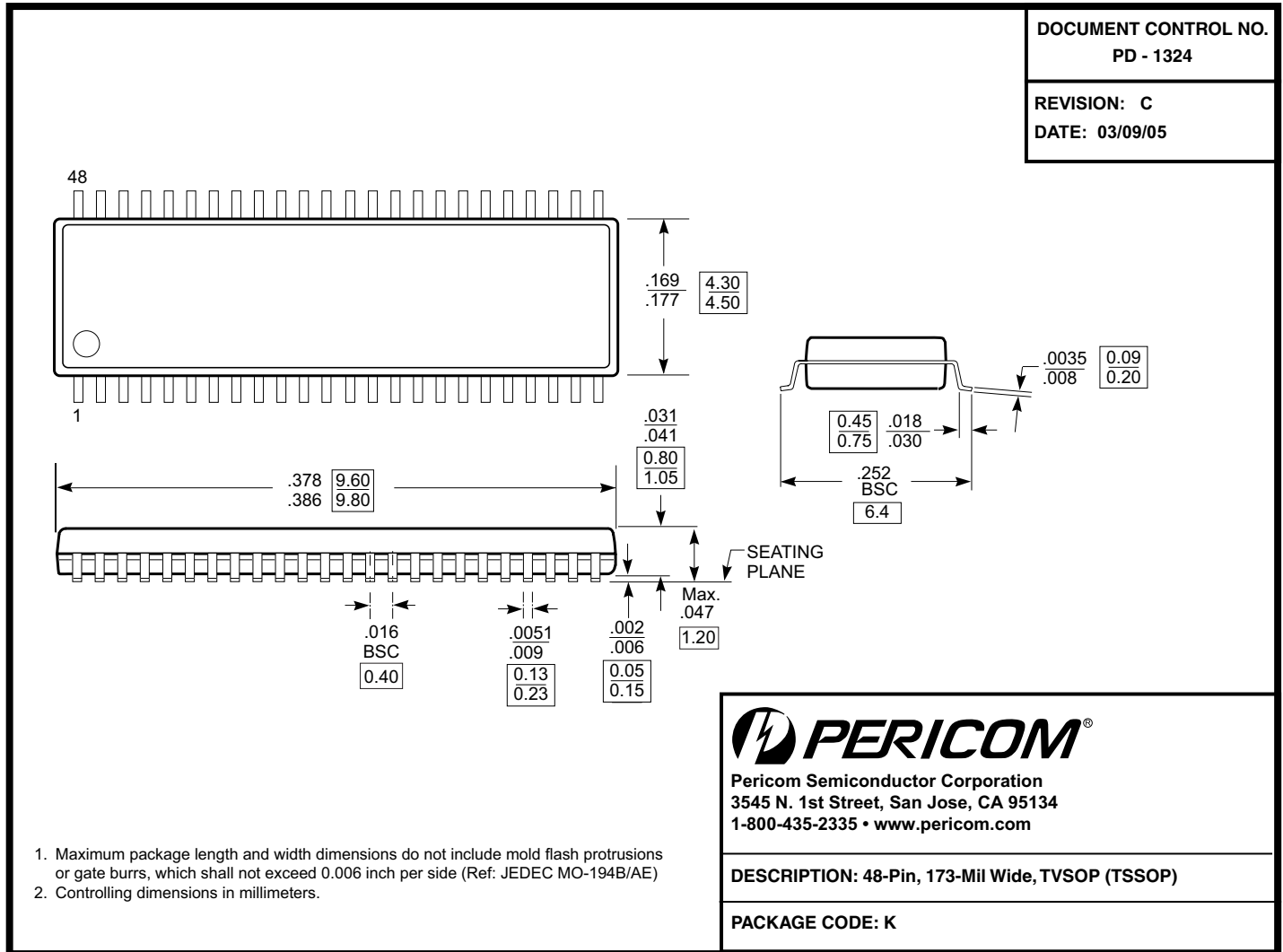


Pericom Semiconductor Corporation  
 3545 N. 1st Street, San Jose, CA 95134  
 1-800-435-2335 • www.pericom.com

DESCRIPTION: 48-Pin 240-Mil Wide TSSOP

PACKAGE CODE: A

**Packaging Mechanical: 48-Pin TVSOP (K)**



**Ordering Information**

Ordering Code	Package Code	Speed Grade	Package Description
PI74AVC164245LAAE	A	A	Pb-free & Green, 48-pin, 240-mil wide plastic TSSOP
PI74AVC164245LAKE	K	A	Pb-free & Green, 48-pin, 173-mil wide plastic TVSOP

**Notes:**

- Thermal characteristics can be found on the company web site at [www.pericom.com/packaging/](http://www.pericom.com/packaging/)