



Chipsmall Limited consists of a professional team with an average of over 10 year of expertise in the distribution of electronic components. Based in Hongkong, we have already established firm and mutual-benefit business relationships with customers from,Europe,America and south Asia,supplying obsolete and hard-to-find components to meet their specific needs.

With the principle of "Quality Parts,Customers Priority,Honest Operation,and Considerate Service",our business mainly focus on the distribution of electronic components. Line cards we deal with include Microchip,ALPS,ROHM,Xilinx,Pulse,ON,Everlight and Freescale. Main products comprise IC,Modules,Potentiometer,IC Socket,Relay,Connector.Our parts cover such applications as commercial,industrial, and automotives areas.

We are looking forward to setting up business relationship with you and hope to provide you with the best service and solution. Let us make a better world for our industry!



## Contact us

Tel: +86-755-8981 8866 Fax: +86-755-8427 6832

Email & Skype: info@chipsmall.com Web: www.chipsmall.com

Address: A1208, Overseas Decoration Building, #122 Zhenhua RD., Futian, Shenzhen, China



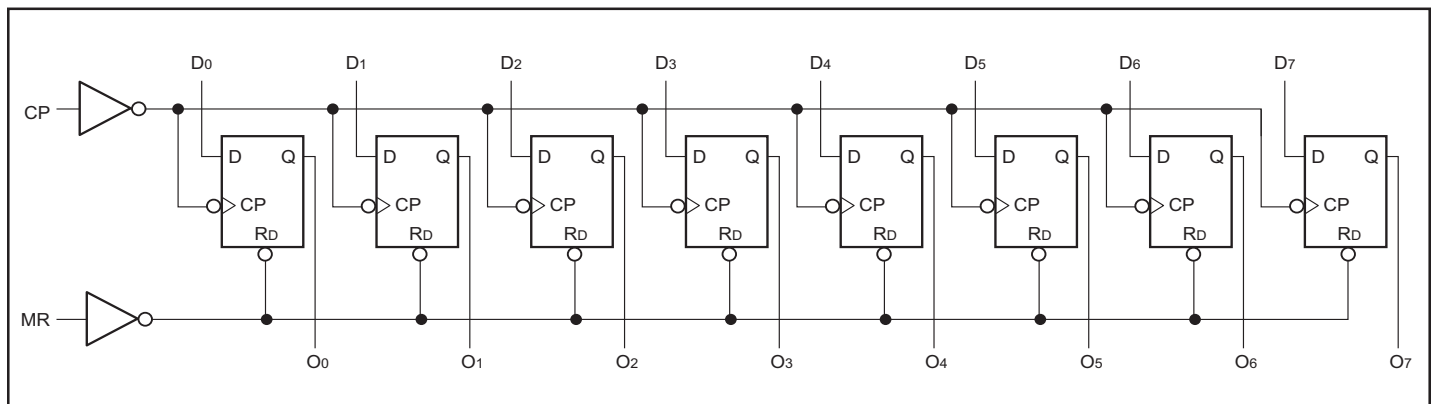
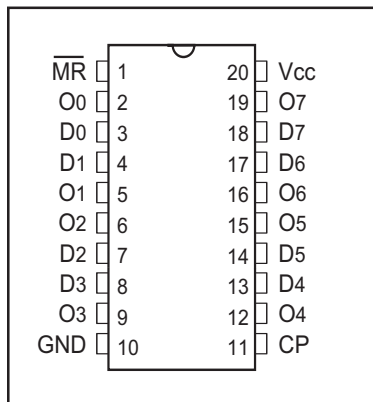
**Fast CMOS Octal D Flip-Flop  
with Master Reset**
**Features**

- Pin compatible with bipolar FAST™ Series at a higher speed and lower power consumption
- TTL input and output levels
- Low ground bounce outputs
- Extremely low static power
- Hysteresis on all inputs
- Industrial operating temperature range: -40°C to +85°C
- Packaging (Pb-free & Green available):
  - 20-pin 173-mil wide plastic TSSOP (L)
  - 20-pin 150-mil wide plastic QSOP (Q)
  - 20-pin 300-mil wide plastic SOIC (S)

**Description**

Pericom Semiconductor's PI74FCT273T is a 8-bit wide octal designed with eight edge-triggered D-type flip-flops with individual D inputs and O outputs. The common buffered Clock (CP) and Master Reset ( $\overline{\text{MR}}$ ) load and resets (clear) all flip-flops simultaneously. The register is fully edge-triggered. The D input state, one setup time before the LOW-to-HIGH clock transition, is transferred to the corresponding flip-flop's O output. All outputs will be forced LOW independently of Clock or Data inputs by a LOW voltage level on the  $\overline{\text{MR}}$  input.

Device models available upon request.

**Block Diagram**

**Pin Configuration**

**Pin Description**

Pin Name	Description
$\overline{\text{MR}}$	Master Reset (Active LOW)
CP	Clock Pulse Input (Active Rising Edge)
D0-D7	Data Inputs
O0-O7	Data Outputs
GND	Ground
Vcc	Power

**Truth Table<sup>(1)</sup>**

Mode	Inputs			Outputs
	$\overline{\text{MR}}$	CP	$\text{D}_N$	$\text{O}_N$
Reset (Clear)	L	X	X	L
Load "1"	H	↑	h	H
Load "0"	H	↑	l	L

1. H = High Voltage Level  
 h = High Voltage Level one setup time prior to the LOW-to-HIGH Clock transition  
 L = Low Voltage Level  
 l = LOW Voltage Level one setup time prior to the LOW-to-HIGH Clock Transition  
 X = Don't Care  
 ↑ = LOW-to-HIGH Clock Transition

### Maximum Ratings

(Above which the useful life may be impaired. For user guidelines, not tested.)

Storage Temperature .....	-65°C to +150°C
Ambient Temperature with Power Applied .....	-40°C to +85°C
Supply Voltage to Ground Potential (Inputs & Vcc Only) .....	-0.5V to +7.0V
Supply Voltage to Ground Potential (Outputs & D/O Only) ..	-0.5V to +7.0V
DC Input Voltage .....	-0.5V to +7.0V
DC Output Current .....	120 mA
Power Dissipation .....	0.5W

**Note:**

Stresses greater than those listed under MAXIMUM RATINGS may cause permanent damage to the device. This is a stress rating only and functional operation of the device at these or any other conditions above those indicated in the operational sections of this specification is not implied. Exposure to absolute maximum rating conditions for extended periods may affect reliability.

### DC Electrical Characteristics (Over the Operating Range, TA = -40°C to +85°C, VCC = 5.0V ± 5%)

Parameters	Description	Test Conditions <sup>(1)</sup>		Min.	Typ <sup>(2)</sup>	Max.	Units
VOH	Output HIGH Voltage	VCC = Min., VIN = VIH or VIL	IOH = -15.0mA	2.4	3.0		V
VOL	Output LOW Current	VCC = Min., VIN = VIH or VIL	IOL = 64mA		0.3	0.55	V
VOL	Output LOW Current	VCC = Min., VIN = VIH or VIL	IOL = 12mA		0.3	0.50	V
VIH	Input HIGH Voltage	Guaranteed Logic HIGH Level		2.0			V
VIL	Input LOW Voltage	Guaranteed Logic LOW Level				0.8	V
IIH	Input HIGH Current	VCC = Max.	VIN = VCC			1	µA
IIL	Input LOW Current	VCC = Max.	VIN = GND			-1	µA
IOZH	High Impedance	VCC = MAX.	VOUT = 2.7V			1	µA
IOZL	Output Current		VOUT = 0.5V			-1	µA
VIK	Clamp Diode Voltage	VCC = Min., IIN = -18mA			-0.7	-1.2	V
IOFF	Power Down Disable	VCC = GND, VOUT = 4.5V				100	µA
IOS	Short Circuit Current	VCC = Max. <sup>(3)</sup> , VOUT = GND		-60	-120		mA
VH	Input Hysteresis				200		mV

**Notes:**

1. For Max. or Min. conditions, use appropriate value specified under Electrical Characteristics for the applicable device type.
2. Typical values are at Vcc = 5.0V, +25°C ambient and maximum loading.
3. Not more than one output should be shorted at one time. Duration of the test should not exceed one second.

### Capacitance (TA = 25°C, f = 1 MHz)

Parameters <sup>(1)</sup>	Description	Test Conditions	Typ	Max.	Units
CIN	Input Capacitance	VIN = 0V	6	10	pF
COUT	Output Capacitance	VOUT = 0V	8	12	pF

**Notes:**

1. This parameter is determined by device characterization but is not production tested.



### Power Supply Characteristics

Parameters	Description	Test Conditions <sup>(1)</sup>		Min.	Typ <sup>(2)</sup>	Max.	Units
I <sub>CC</sub>	Quiescent Power Supply Current	V <sub>CC</sub> = Max.	V <sub>IN</sub> = GND or V <sub>CC</sub>		0.1	500	μA
ΔI <sub>CC</sub>	Supply Current per per Input @ TTL HIGH	V <sub>CC</sub> = Max.	V <sub>IN</sub> = 3.4V <sup>(3)</sup>		0.5	2.0	mA
I <sub>CCD</sub>	Supply Current per Input per MHz <sup>(4)</sup>	V <sub>CC</sub> = Max., Outputs Open MR = V <sub>CC</sub> , One Input Toggling 50% Duty Cycle	V <sub>IN</sub> = V <sub>CC</sub> V <sub>IN</sub> = GND		0.15	0.25	mA/ MHz
I <sub>C</sub>	Total Power Supply Current <sup>(6)</sup>	V <sub>CC</sub> = Max., Outputs Open f <sub>CP</sub> = 10 MHz, 50% Duty Cycle MR = V <sub>CC</sub> , 50% Duty Cycle One Bit toggling at f <sub>i</sub> = 5 MHz	V <sub>IN</sub> = V <sub>CC</sub> V <sub>IN</sub> = GND		1.5	3.5 <sup>(5)</sup>	mA
			V <sub>IN</sub> = 3.4V V <sub>IN</sub> = GND		2.0	3.5 <sup>(5)</sup>	
		V <sub>CC</sub> = Max., Outputs Open f <sub>CP</sub> = 10 MHz, 50% Duty Cycle MR = V <sub>CC</sub> , 50% Duty Cycle Eight Bits toggling at f <sub>i</sub> = 2.5 MHz, 50% Duty Cycle	V <sub>IN</sub> = V <sub>CC</sub> V <sub>IN</sub> = GND		3.8	7.3 <sup>(5)</sup>	
			V <sub>IN</sub> = 3.4V V <sub>IN</sub> = GND		6.0	16.3 <sup>(5)</sup>	

**Notes:**

1. For Max. or Min. conditions, use appropriate value specified under Electrical Characteristics for the applicable device.
2. Typical values are at V<sub>CC</sub> = 5.0V, +25°C ambient.
3. Per TTL driven input (V<sub>IN</sub> = 3.4V); all other inputs at V<sub>CC</sub> or GND.
4. This parameter is not directly testable, but is derived for use in Total Power Supply Calculations.
5. Values for these conditions are examples of the I<sub>CC</sub> formula. These limits are guaranteed but not tested.
6. I<sub>C</sub> = I<sub>QUIESCENT</sub> + I<sub>INPUTS</sub> + I<sub>DYNAMIC</sub>  
 $I_C = I_{CC} + \Delta I_{CC} D_H N_T + I_{CCD} (f_{CP}/2 + f_i N_i)$   
 I<sub>CC</sub> = Quiescent Current  
 ΔI<sub>CC</sub> = Power Supply Current for a TTL High Input (V<sub>IN</sub> = 3.4V)  
 D<sub>H</sub> = Duty Cycle for TTL Inputs High  
 N<sub>T</sub> = Number of TTL Inputs at D<sub>H</sub>  
 I<sub>CCD</sub> = Dynamic Current Caused by an Input Transition Pair (HLH or LHL)  
 f<sub>CP</sub> = Clock Frequency for Register Devices (Zero for Non-Register Devices)  
 f<sub>i</sub> = Input Frequency  
 N<sub>i</sub> = Number of Inputs at f<sub>i</sub>  
 All currents are in milliamperes and all frequencies are in megahertz.

**Switching Characteristics over Operating Range**

Parameters	Description	Conditions	273T		273AT		273CT		Unit
			Com.		Com.		Com.		
			Min	Max	Min	Max	Min	Max	
t <sub>PLH</sub>	Propagation Delay <sup>(1)</sup> CP to ON	C <sub>L</sub> = 50pF R <sub>L</sub> = 500Ω	2.0	13.0	2.0	7.2	2.0	5.8	ns
t <sub>PHL</sub>	Propagation Delay <sup>(1)</sup> MR to ON		2.0	13.0	2.0	7.2	2.0	6.1	ns
t <sub>SU</sub>	Setup Time, HIGH or LOW Dn to CP		3.0		2.0		2.0		ns
t <sub>H</sub>	Hold Time, HIGH or LOW Dn to CP		2.0		1.5		1.5		ns
t <sub>w</sub>	CP Pulse Width <sup>(2)</sup> HIGH or LOW		7.0		6.0		6.0		ns
t <sub>w</sub>	MR Pulse Width <sup>(2)</sup> LOW		7.0		6.0		6.0		ns
t <sub>REM</sub>	Recovery Time MR to CP <sup>(2)</sup>		4.0		2.0		2.0		ns

**Notes:**

1. Minimum limits are guaranteed but not tested on Propagation Delays.
2. This parameter guaranteed but not production tested.

**Packaging Mechanical: 20-pin SOIC (S)**

**DOCUMENT CONTROL NO.**  
PD - 1006

**REVISION: D**  
**DATE: 03/09/05**

**Top View Dimensions:**  
 Total width: 12.60 (REF) / 12.99  
 Pin pitch: 0.508 (REF) / 0.762  
 Pin width: 0.2914 (REF) / 0.2992  
 Pin length: 0.496 (REF) / 0.511

**Side View Dimensions:**  
 Total height: 2.35 (REF) / 2.65  
 Seating plane to top: 0.0926 (REF) / 0.1043  
 Seating plane to bottom: 0.0040 (REF) / 0.0118  
 Pin height: 0.013 (REF) / 0.020  
 Pin thickness: 0.050 (REF) / 0.0625  
 Lead angle: 0-8°

**Detail View Dimensions:**  
 Lead thickness: 0.010 (REF) / 0.029  
 Lead width: 0.254 (REF) / 0.737  
 Lead angle: x 45°  
 Lead length: 0.016 (REF) / 0.050  
 Lead thickness at base: 0.0091 (REF) / 0.0125  
 Lead width at base: 0.41 (REF) / 1.27  
 Lead length at base: 0.394 (REF) / 0.419  
 Lead thickness at base: 10.00 (REF) / 10.65

**Bottom View Dimensions:**  
 Pin pitch: 0.508 (REF) / 0.762  
 Pin width: 0.050 (REF) / 0.0625  
 Pin length: 0.013 (REF) / 0.020  
 Pin thickness: 0.050 (REF) / 0.0625

**Legend:**  
 X.XX DENOTES CONTROLLING DIMENSIONS IN MILLIMETERS

**Notes:**  
 1) Controlling dimensions in millimeters.  
 2) Ref: JEDEC MS-013D/AC

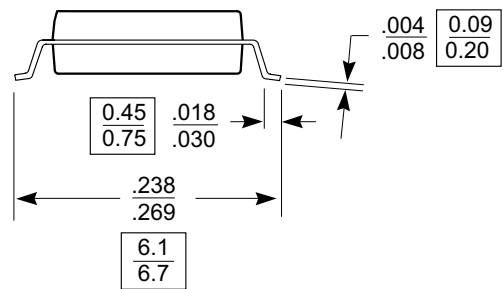
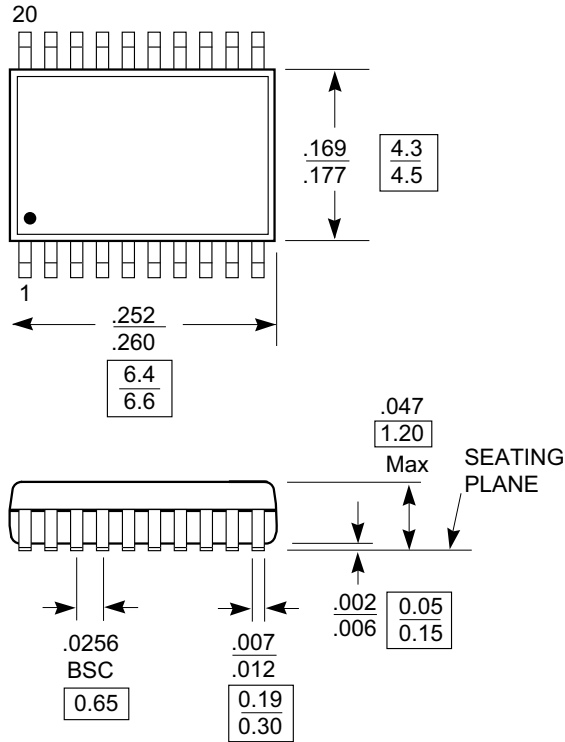
**Pericom Semiconductor Corporation**  
 3545 N. 1st Street, San Jose, CA 95134  
 1-800-435-2335 • www.pericom.com

**DESCRIPTION: 20-Pin, 300-Mil Wide, SOIC**

**PACKAGE CODE: S**

Packaging Mechanical: 20-Pin TSSOP (L)

DOCUMENT CONTROL NO. PD - 1311
REVISION: E DATE: 03/09/05



Note:

1. Package Outline Exclusive of Mold Flash and Metal Burr
2. Controlling dimensions in millimeters
3. Ref: JEDEC MO-153F/AC



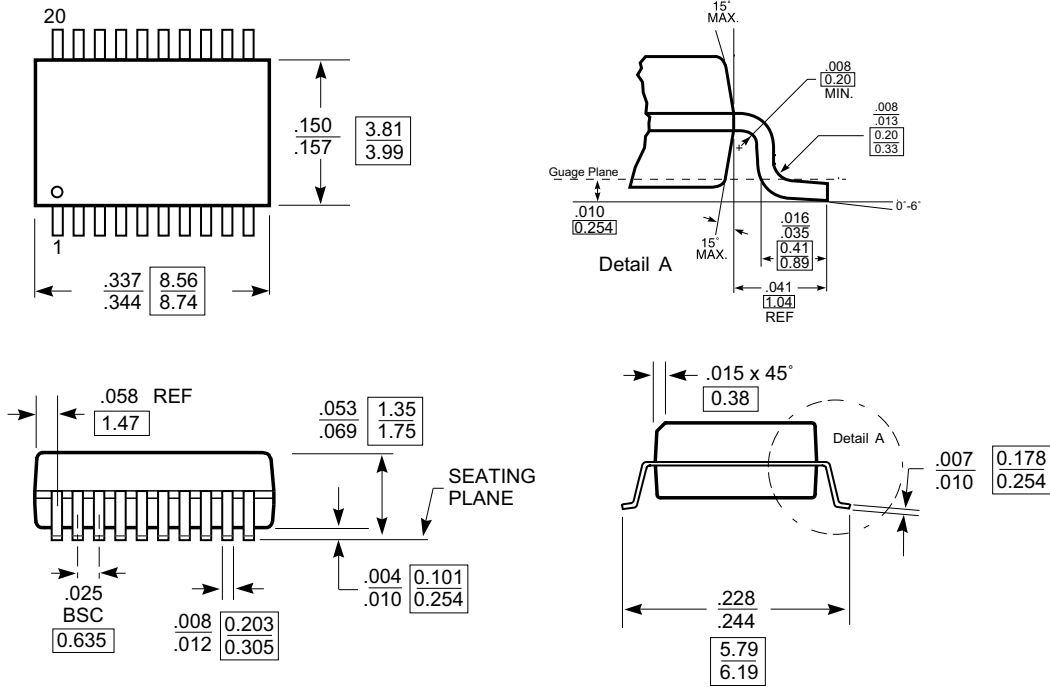
Pericom Semiconductor Corporation  
3545 N. 1st Street, San Jose, CA 95134  
1-800-435-2335 • www.pericom.com

DESCRIPTION: 20-Pin, 173-Mil Wide, TSSOP

PACKAGE CODE: L

Packaging Mechanical: 20-pin QSOP (Q)

DOCUMENT CONTROL NO. PD - 1202
REVISION: H DATE: 10/22/07



X.XX DENOTES DIMENSIONS  
X.XX IN MILLIMETERS

- Note:
- 1) Controlling dimensions in inches.
  - 2) Ref: JEDEC MO-137B/AD
  - 3) Dimensions do not include mold flash, protrusions or gate burrs



Pericom Semiconductor Corporation  
3545 N. 1st Street, San Jose, CA 95134  
1-800-435-2335 • www.pericom.com

---

DESCRIPTION: 20-Pin, 150-Mil Wide, QSOP

---

PACKAGE CODE: Q

### Ordering Information

Ordering Code	Package Code	Speed Grade	Package Type
PI74FCT273TQ	Q	Blank	20-pin QSOP
PI74FCT273TSE	S	Blank	Pb-free & Green, 20-pin SOIC
PI74FCT273ATL	L	A	20-pin TSSOP
PI74FCT273ATS	S	A	20-pin SOIC
PI74FCT273ATSE	S	A	Pb-free & Green, 20-pin SOIC
PI74FCT273ATQ	Q	A	20-pin QSOP

**Notes:**

- Thermal characteristics can be found on the company web site at [www.pericom.com/packaging/](http://www.pericom.com/packaging/)
- E = Pb-free & Green
- Adding an X suffix = Tape/Reel

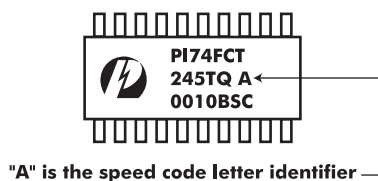
### Part Marking Information

Pericom's standard product mark follows our standard part number ordering information, except for those products with a speed letter code. For marking purposes, the speed letter code mark is placed after the package code letter, rather than after the device number as it is ordered.

Although all products are marked immediately after assembly to assure material traceability, Pericom does not usually mark the speed code at that time. After electrical test screening and speed binning have been completed, we then perform an "add mark" operation which places the speed code letter at the end of the complete part number.

Please refer to the example shown below:

- Part Number as ordered: PI74FCT245ATQ
- Example of Part Number as marked:



**Notes:**

- 1) 8-pin DIP, 8-pin SOIC, 8-pin TSSOP, 14-pin SOIC, 16-pin QSOP, SC70, MSOP, and SOT23 packages are not marked with the Pericom logo due to space limitations on the package.