



Chipsmall Limited consists of a professional team with an average of over 10 year of expertise in the distribution of electronic components. Based in Hongkong, we have already established firm and mutual-benefit business relationships with customers from,Europe,America and south Asia,supplying obsolete and hard-to-find components to meet their specific needs.

With the principle of “Quality Parts,Customers Priority,Honest Operation,and Considerate Service”,our business mainly focus on the distribution of electronic components. Line cards we deal with include Microchip,ALPS,ROHM,Xilinx,Pulse,ON,Everlight and Freescale. Main products comprise IC,Modules,Potentiometer,IC Socket,Relay,Connector.Our parts cover such applications as commercial,industrial, and automotives areas.

We are looking forward to setting up business relationship with you and hope to provide you with the best service and solution. Let us make a better world for our industry!



Contact us

Tel: +86-755-8981 8866 Fax: +86-755-8427 6832

Email & Skype: info@chipsmall.com Web: www.chipsmall.com

Address: A1208, Overseas Decoration Building, #122 Zhenhua RD., Futian, Shenzhen, China

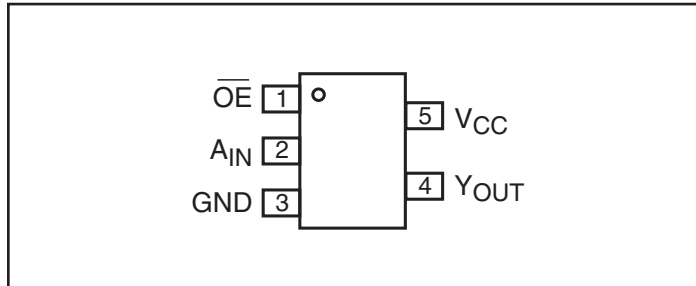
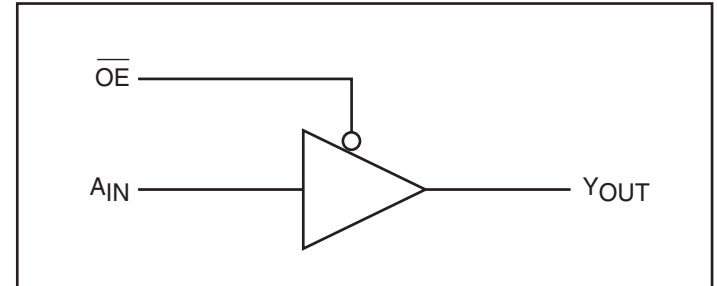


Features

- High-speed: $t_{PD} = 1.8\text{ns}$ typical
- Broad operating range: $V_{CC} = 1.8\text{V} - 3.6\text{V}$
- Power down high-impedance inputs/outputs
- High output drive: $\pm 24\text{mA}$ at $3\text{V } V_{CC}$
- Packaging (Pb-free & Green available):
— 5-pin SC70 (C)

Description

The PI74ST1G125 is a buffer with 3-state output that operates over the 1.8V to 3.6V V_{CC} operating range.

Pin Configuration

Block Diagram

Pin Description

Pin Name	Description
A_{IN}	Input
\overline{OE}	Input
Y_{OUT}	Output

Recommended Operating Conditions⁽¹⁾

Parameter	Condition	Min.	Max.	Units
Supply Voltage (V_{CC})		1.8	3.6	V
Input Voltage (V_{IN})		0	5.5	
Output Voltage (V_{OUT})		0	V_{CC}	
Operating Temperature		-40	85	°C
Input Rise and Fall Time (t_r, t_f)	$V_{CC} = 1.8\text{V}, 2.5\text{V} \pm 0.2\text{V}$	0	20	ns/V
	$V_{CC} = 3.3\text{V} \pm 0.3\text{V}$	0	10	

Function Table⁽¹⁾

Inputs		Outputs
\overline{OE}	A_{IN}	Y_{OUT}
L	L	L
L	H	H
H	X	X

Notes:

- H = HIGH Logic Level
- L = LOW Logic Level
- X = Don't Care
- Z = HIGH Impedance State

Notes:

1. Unused inputs must be held HIGH or LOW. They may not float.

Absolute Maximum Ratings

Supply Voltage (V_{CC})	-0.5V to +4V
DC Input Voltage (V_{IN})	-0.5V to +6V
DC Output Voltage (V_{OUT})	-0.5V to +6V
DC Input Diode Current (I_{IK})	-50mA to 20mA
DC Output Diode Current (I_{OK})	-50mA to 20mA
DC Output Current (I_{OUT})	±50mA
DC V_{CC}/GND Current (I_{CC}/I_{GND})	±50mA
Storage Temperature (T_{STG})	-65°C to +150°C
Junction Lead Temperature (I_{OS})	200°C
Power Dissipation	SOT23	200mW
	SC70	150mW

Note:

Absolute maximum ratings are DC values beyond which the device may be damaged or have its useful life impaired. The datasheet specifications should be met, without exception, to ensure that the system design is reliable over its power supply, temperature, and output/input loading variables. Pericom does not recommend operation outside datasheet specifications.

DC Electrical Characteristics (Over supply voltage and operating temperature ranges, unless otherwise specified)

Symbol	Parameter	$V_{CC}(V)$	Conditions	$T_A = +25^\circ C$			$T_A = -40^\circ C$ to $+85^\circ C$		Units	
				Min.	Typ.	Max.	Min.	Max.		
V_{IH}	HIGH Level Input Voltage	1.8 2.3-3.6		0.75 V_{CC} 0.70 V_{CC}			0.75 V_{CC} 0.70 V_{CC}		V	
V_{IL}	LOW Level Input Voltage	1.8 2.3-3.6				0.25 V_{CC} 0.30 V_{CC}		0.25 V_{CC} 0.30 V_{CC}		
V_{OH}	HIGH Level Output Voltage	1.8	$V_{IN} = V_{IH}$	$I_{OH} = -100\mu A$	1.7	1.79		1.7		
		2.3			2.2	2.29		2.2		
		3.0			2.9	2.99		2.9		
V_{OH}	HIGH Level Output Voltage	2.3		$I_{OH} = -8mA$	1.9	2.13		1.9		
		3.0			2.4	2.71		2.4		
		3.0			2.3	2.55		2.3		
V_{OL}	LOW Level Output Voltage	1.8	$V_{IN} = V_{IL}$	$I_{OL} = 100\mu A$		0.01	0.1			0.1
		2.3				0.01	0.1			0.1
		3.0				0.00	0.1		0.1	
V_{OL}	LOW Level Output Voltage	2.3		$I_{OH} = 8mA$		0.10	0.3		0.3	
		3.0				0.18	0.4		0.4	
		3.0				0.28	0.55		0.55	
I_{IN}	Input Leakage Current	0-3.6	$V_{IN} = 5.5V, GND$	-1		1	-1	1	μA	
I_{OFF}	Power Off Leakage Current	0.0	V_{IN} or $V_{OUT} = 5.5V$	-1		1	-1	1		
I_{CC}	Quiescent Supply Current	1.8-3.6	$V_{IN} = 5.5V, GND$			2.0		20		
I_{OZ}	3-State Output Leakage	1.8-3.6	$V_{IN} = V_{IH}$ or V_{IL} $V_O = V_{CC}$ or GND			±1		±10		

AC Electrical Characteristics

Symbol	Parameter	V _{CC} (V)	Conditions	T _A = +25°C			T _A = -40° C to +85°C		Units	Fig. No.
				Min.	Typ.	Max.	Min.	Max.		
t _{PLH} t _{PHL}	Propagation Delay	1.8 2.5±0.2 3.3±0.3	C _L = 15pF, R _L = 1MΩ	2.0 0.8 0.5	2.8 1.8 1.3	3.7 2.5 2.0	2.0 0.8 0.5	4.1 2.8 2.2	ns	1 3
t _{PLH} t _{PHL}	Propagation Delay	3.3±0.3	C _L = 50pF, R _L = 500Ω	1.5	2.6	3.4	1.5	3.7		1 3
t _{PZL} t _{PZH}	Output Enable Time	1.8 2.5±0.2 3.3±0.3	C _L = 50pF, R _D = 500Ω, R _U = 500Ω, S ₁ = GND for t _{PZH} S ₁ = V _{IN} for t _{PZL} V _{IN} = 2 x V _{CC}	2 1.5 1.5	5.8 4.1 3.1	7.5 5.4 4.1	2 1.5 1.5	8.3 5.9 4.5		1 3
t _{PLZ} t _{PHZ}	Output Disable Time	1.8 2.5±0.2 3.3±0.3	C _L = 50pF, R _D = 500Ω, R _U = 500Ω, S ₁ = GND for t _{PHZ} S ₁ = V _{IN} for t _{PLZ} V _{IN} = 2 x V _{CC}	2 1.5 1.5	4.9 3.6 2.8	5.9 4.8 3.4	2 1.5 1.0	6.5 5.3 3.7		1 3
C _{IN}	Input Capacitance	V _{IN} = 0			4				pF	
C _{OUT}	Output Capacitance	V _{IN} = 0			8					
C _{PD} ⁽¹⁾	Power Dissipation Capacitance	3.3			17					2

Notes:

- C_{PD} is defined as the value of the internal equivalent capacitance which is derived from dynamic operating current consumption (I_{CCD}) at no output loading and operating at 50% duty cycle (see Figure 2). C_{PD} is related to I_{CCD} dynamic operating current by the expression:

$$I_{CCD} = (C_{PD})(V_{CC})(f_{IN}) + (I_{CC} \text{ static}).$$

AC Loading and Waveforms

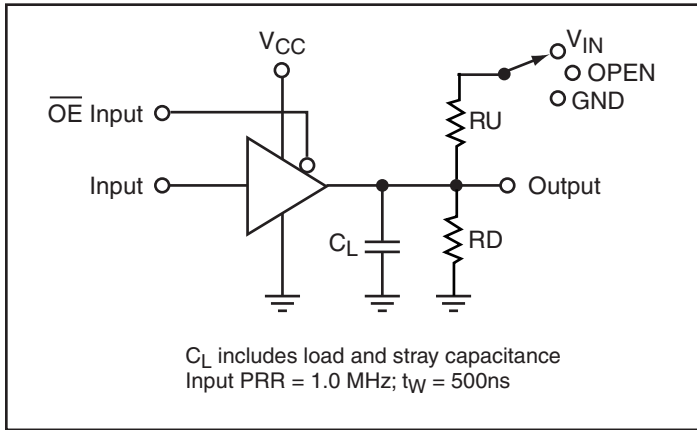


Figure 1. AC Test Circuit

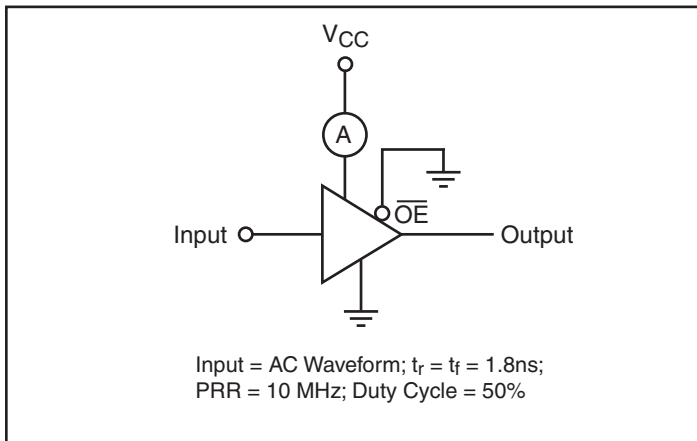


Figure 2. ICCD Test Circuit

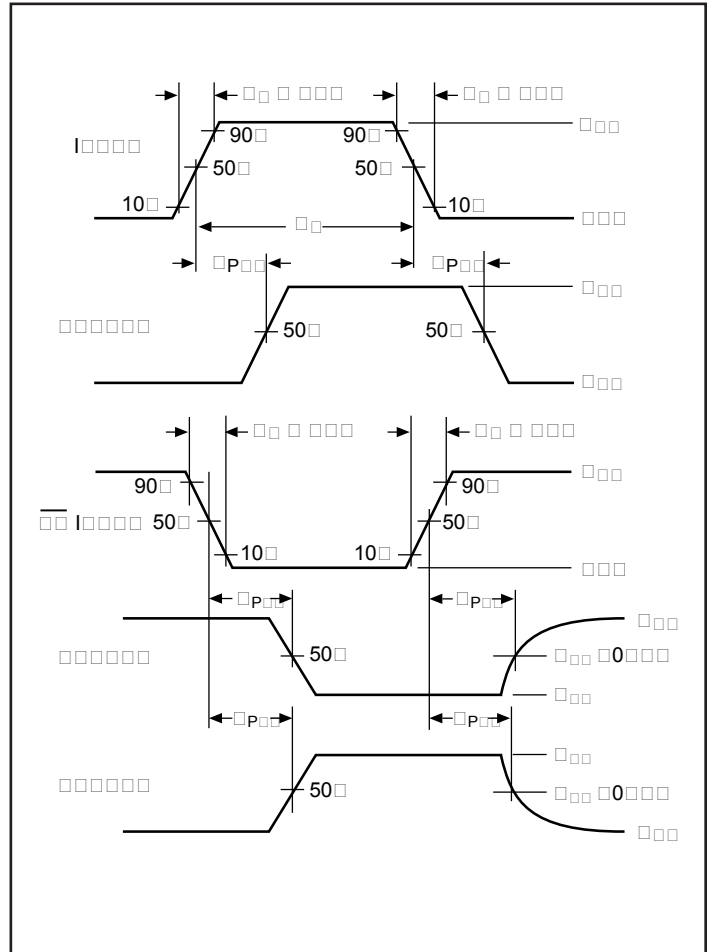
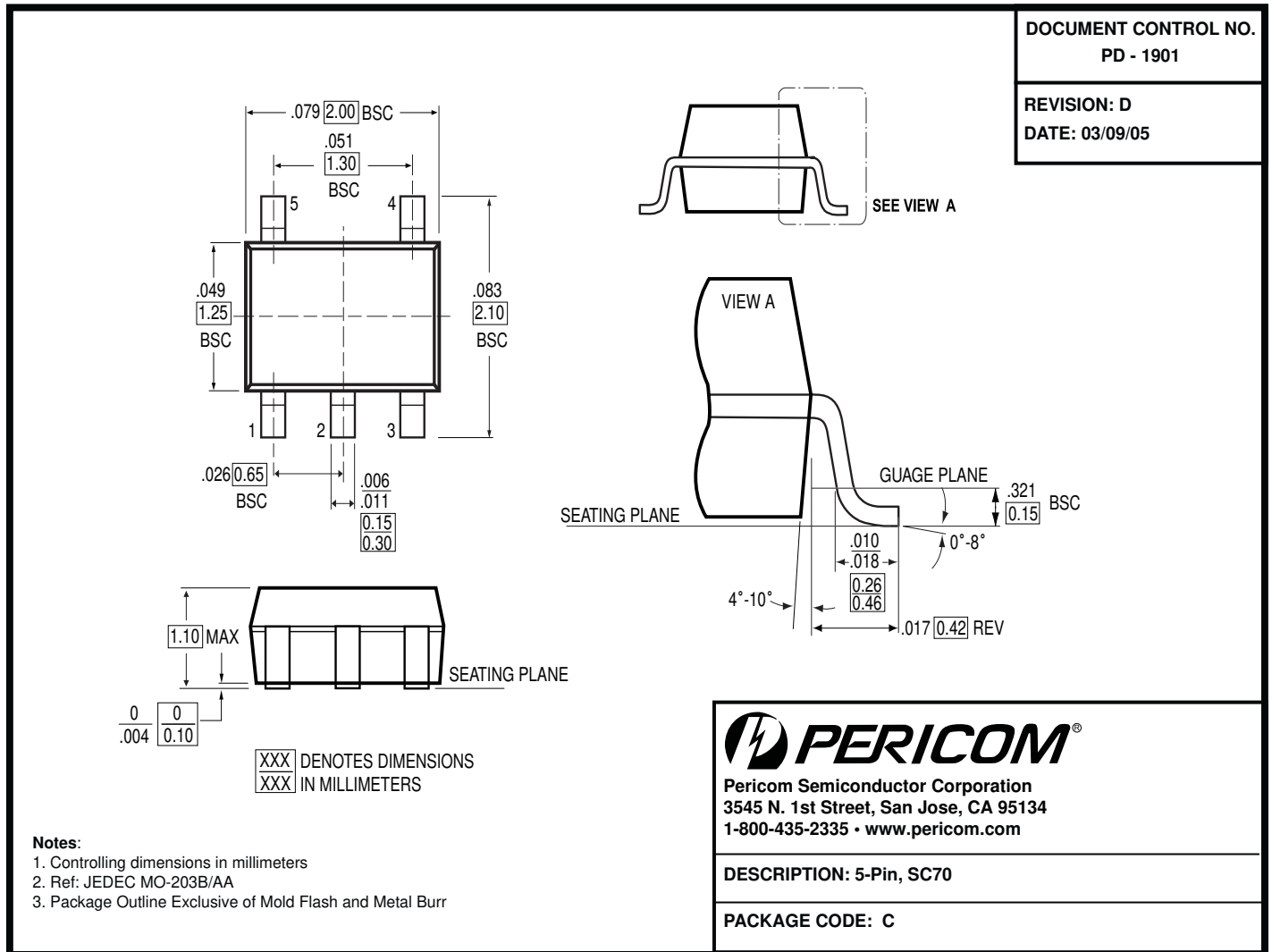


Figure 3. AC Waveforms


Note:

- For latest package info, please check: <http://www.pericom.com/products/packaging/mechanicals.php>

Ordering Information

Ordering Code	Packaging Code	Package Type	Package Top Marking
PI74ST1G125CEX	C	5-pin SC70, Pb-free & Green	AA

Notes:

- Thermal characteristics can be found on the company web site at www.pericom.com/packaging/
- E = Pb-free and Green
- X suffix = Tape/Reel