



Chipsmall Limited consists of a professional team with an average of over 10 year of expertise in the distribution of electronic components. Based in Hongkong, we have already established firm and mutual-benefit business relationships with customers from,Europe,America and south Asia,supplying obsolete and hard-to-find components to meet their specific needs.

With the principle of “Quality Parts,Customers Priority,Honest Operation,and Considerate Service”,our business mainly focus on the distribution of electronic components. Line cards we deal with include Microchip,ALPS,ROHM,Xilinx,Pulse,ON,Everlight and Freescale. Main products comprise IC,Modules,Potentiometer,IC Socket,Relay,Connector.Our parts cover such applications as commercial,industrial, and automotives areas.

We are looking forward to setting up business relationship with you and hope to provide you with the best service and solution. Let us make a better world for our industry!



Contact us

Tel: +86-755-8981 8866 Fax: +86-755-8427 6832

Email & Skype: info@chipsmall.com Web: www.chipsmall.com

Address: A1208, Overseas Decoration Building, #122 Zhenhua RD., Futian, Shenzhen, China



Monitoring Relays 1-Phase AC/DC Over Current Types DIA01, PIA01

CARLO GAVAZZI



DIA01



PIA01

- AC/DC over current monitoring relay
- Current measured through internal shunt
- Measuring range 0.5 to 5 A AC/DC
- Adjustable current limit on relative scale
- Adjustable hysteresis
- Programmable latching at set level
- Output: 8 A SPDT relay normally de-energized
- For mounting on DIN-rail in accordance with DIN/EN 50 022 (DIA01) or plug-in module (PIA01)
- 22.5 mm Euronorm housing (DIA01) or 36 mm plug-in module (PIA01)
- LED indication for relay and power supply ON
- Galvanically separated power supply

Product Description

DIA01 and PIA01 are precise AC/DC over current monitoring relays. Direct measuring or through current transformer. Owing to the built-in latch function, the ON-position of the relay output can be

maintained. The red LED indicates the relay status. Through the built-in shunt it is possible to monitor loads up to 5 A AC/DC.

Ordering Key

DIA 01 C B23 5A

Housing	_____
Function	_____
Type	_____
Item number	_____
Output	_____
Power supply	_____
Range	_____

Type Selection

Mounting	Output	Supply: 24 to 48 VAC/DC	Supply: 115/230 VAC
DIN-rail	SPDT	DIA 01 C D48 5A	DIA 01 C B23 5A
Plug-in	SPDT	PIA 01 C D48 5A	PIA 01 C B23 5A

Input Specifications

Input (current level)	Terminals Y1, Y2 Terminals 5, 7	
DIA01		
PIA01		
Measuring ranges	Internal resist.	Max. curr.
Direct		
..5A: 0.5 to 5 A AC/DC	0.05 Ω	6 A
Max. current for 1 s		25 A
Standard CT (examples)	AAC_{rms}	Max. curr.
TADK2 50 A/5 A	5 to 50 A	60 A
CTD1 150 A/5 A	15 to 150 A	180 A
CTD4 400 A/5 A	40 to 400 A	480 A
TAD12 1000 A/5 A	100 to 1000 A	1200 A
TACO200 6000 A/5 A	600 to 6000 A	7200 A
Contact input	Terminals Z1, Y1 Terminals 8, 9	
DIA01		
PIA01		
Disabled	> 10 kΩ	
Enabled	< 500 Ω	
Latch disable	> 500 ms	
Note:	The input voltage cannot raise over 300 VAC/DC with respect to ground (PIA only)	

Output Specifications

Output	SPDT relay
Rated insulation voltage	250 VAC
Contact ratings (AgSnO₂)	μ
Resistive loads	AC 1 8 A @ 250 VAC DC 12 5 A @ 24 VDC
Small inductive loads	AC 15 2.5 A @ 250 VAC DC 13 2.5 A @ 24 VDC
Mechanical life	≥ 30 x 10 ⁶ operations
Electrical life	≥ 10 ⁵ operations (at 8 A, 250 V, cos φ = 1)
Operating frequency	≤ 7200 operations/h
Dielectric strength	
Dielectric voltage	≥ 2 kVAC (rms)
Rated impulse withstand volt.	4 kV (1.2/50 μs)

Supply Specifications

Power supply Rated operational voltage through terminals: A1, A2 or A3, A2 (DIA01) 2, 10 or 11, 10 (PIA01)	Overvoltage cat. III (IEC 60664, IEC 60038)	
D48:	24 to 48 VAC/DC \pm 15% 45 to 65 Hz, insulated	
B23:	115/230 VAC \pm 15% 45 to 65 Hz, insulated	
Dielectric voltage Supply to input Supply to output Input to output	DC supply 2 kV 4 kV 4 kV	AC supply 4 kV 4 kV 4 kV
Rated operational power AC DC	4 VA 2 W	

General Specifications

Reaction time Alarm ON delay Alarm OFF delay	(input signal variation from -20% to +20% or from +20% to -20% of set value) < 100 ms < 300 ms	
Accuracy Temperature drift Repeatability	(15 min warm-up time) \pm 1000 ppm/ $^{\circ}$ C \pm 0.5% on full-scale	
Indication for Power supply ON Output relay ON	LED, green LED, red	
Environment Degree of protection Pollution degree Operating temperature Storage temperature	(EN 60529) IP 20 3 (DIA01), 2 (PIA01) -20 to 60 $^{\circ}$ C, R.H. < 95% -30 to 80 $^{\circ}$ C, R.H. < 95%	
Housing Dimensions	DIA01 PIA01	22.5 x 80 x 99.5 mm 36 x 80 x 94 mm
Weight	Approx. 150 g	
Screw terminals Tightening torque	Max. 0.5 Nm acc. to IEC 60947	
Approvals	UL, CSA	
CE Marking	Yes	
EMC Immunity Emission	Electromagnetic Compatibility According to EN 61000-6-2 According to EN 61000-6-3	

Mode of Operation

DIA01 and PIA01 monitor both AC and DC over current through an internal shunt. They can monitor AC currents up to 6000 A when connected to a suitable current transformer.

Example 1
(connection between terminals Z1, Y1 or 8, 9 - latch function enabled)

The relay operates and latches in operating position when the measured value exceeds the set level. Provided that the current has dropped min. 4% below the set point (see hysteresis) the relay releases when the inter-

connection between terminals Z1, Y1 or 8, 9 is interrupted or the power supply is interrupted as well.

Example 2 (Standard CT)
(no connection between terminals Z1, Y1 or 8, 9 - latch function disabled)

The relay operates when the current flowing through the transformer exceeds the set level. It releases when the current drops min. 4% below the set level (see hysteresis) or when the power supply is interrupted.

Range Setting

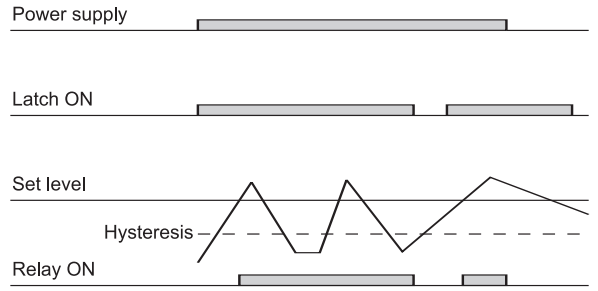
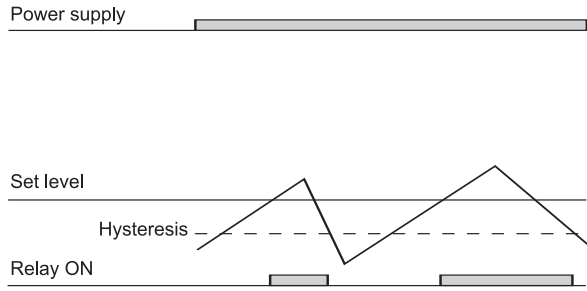
Centre knob:
Setting of current on relative scale: from 10 to 110% of the full-scale value.

Hysteresis:
Approx. 4% of set value, it can be extended by inserting a resistor between terminals Z1, Y1 or 8, 9.

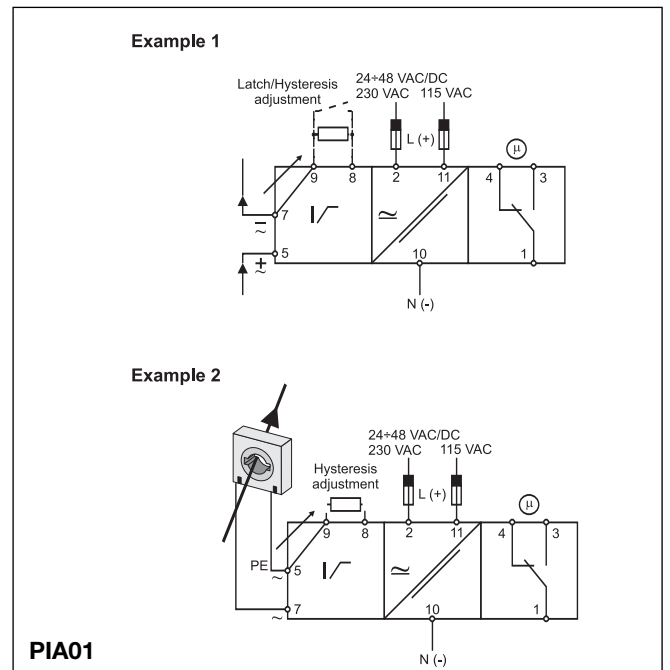
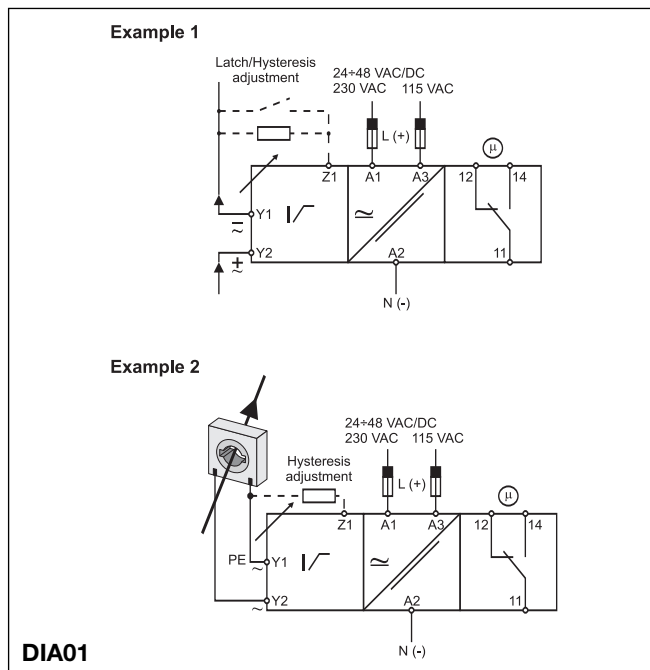
Approx. resistor values:

10%: 180 k Ω
25%: 47 k Ω
50%: 22 k Ω
75%: 15 k Ω
Latch: < 500 Ω

Operation Diagrams



Wiring Diagrams



Dimensions

