



Chipsmall Limited consists of a professional team with an average of over 10 year of expertise in the distribution of electronic components. Based in Hongkong, we have already established firm and mutual-benefit business relationships with customers from,Europe,America and south Asia,supplying obsolete and hard-to-find components to meet their specific needs.

With the principle of “Quality Parts,Customers Priority,Honest Operation,and Considerate Service”,our business mainly focus on the distribution of electronic components. Line cards we deal with include Microchip,ALPS,ROHM,Xilinx,Pulse,ON,Everlight and Freescale. Main products comprise IC,Modules,Potentiometer,IC Socket,Relay,Connector.Our parts cover such applications as commercial,industrial, and automotives areas.

We are looking forward to setting up business relationship with you and hope to provide you with the best service and solution. Let us make a better world for our industry!



## Contact us

Tel: +86-755-8981 8866 Fax: +86-755-8427 6832

Email & Skype: info@chipsmall.com Web: www.chipsmall.com

Address: A1208, Overseas Decoration Building, #122 Zhenhua RD., Futian, Shenzhen, China





**MICROCHIP**

**PIC16C63A/65B/73B/74B**

---

---

**PIC16C63A/65B/73B/74B Data Sheet Errata**

---

---

The PIC16C63A/65B/73B/74B parts you have received conform functionally to the Device Data Sheet (DS30605C), except for the anomalies described below.

None.

# PIC16C63A/65B/73B/74B

## Clarifications/Corrections to the Data Sheet:

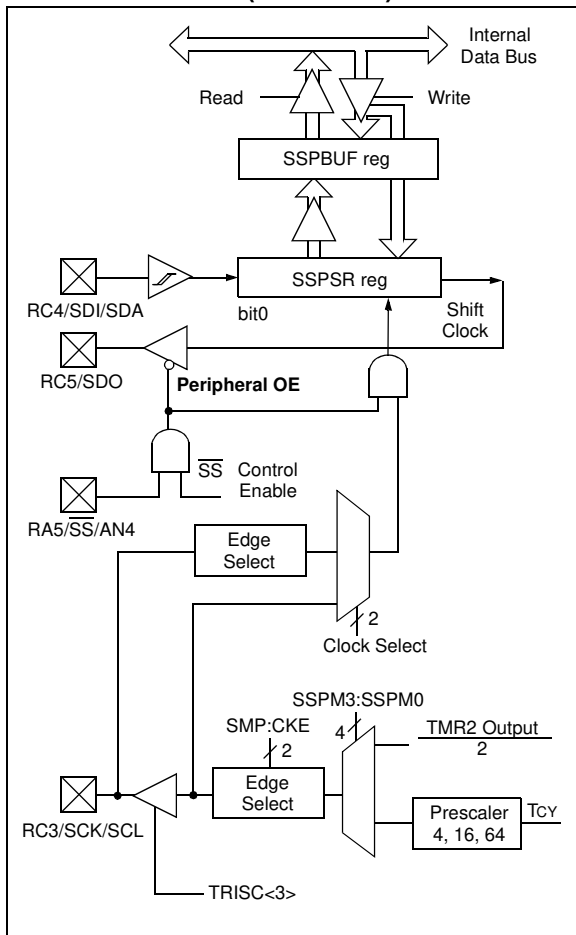
In the Device Data Sheet (DS30605C), the following clarifications and corrections should be noted.

### 1. Module: SSP (SPI™ Mode)

In Section 10.2 (“SPI Mode”), Figure 10-1 and the note box immediately beneath it have been amended to better demonstrate the Peripheral OE line of the SSP module and describe its relationship to the TRISC<5> bit of PORTC.

Changes are indicated in **bold**.

**FIGURE 10-1: SSP BLOCK DIAGRAM (SPI MODE)**



**Note 1:** When the SPI module is in Slave mode with  $\overline{SS}$  pin control enabled (SSPCON<3:0> = 0100), the SPI module will reset if the  $\overline{SS}$  pin is set to VDD.

**2:** If the SPI is used in Slave mode with CKE = '1', then  $\overline{SS}$  pin control must be enabled.

**3:** When the SPI is in Slave mode with  $\overline{SS}$  pin control enabled (SSPCON<3:0> = 0100), the state of the  $\overline{SS}$  pin can affect the state read back from the TRISC<5> bit. The Peripheral OE signal from the SSP module into PORTC, controls the state that is read back from the TRISC<5> bit (see Section 5.3 for information on PORTC). If Read-Modify-Write instructions, such as BSR, are performed on the TRISC register while the  $\overline{SS}$  pin is high, this will cause the TRISC<5> bit to be set, thus disabling the SDO output.

# PIC16C63A/65B/73B/74B

## 2. Module: Packaging (Pinout and Product Identification)

PIC16C63A and PIC16C73B devices are now offered in 28-pin near chip-scale micro lead frame packages (commonly known as “QFN”). This packaging type has been added to the product line since the latest revision of the Device Data Sheet.

The addition of this option requires the following additions to the Device Data Sheet. The referenced figures and tables follow this text.

1. The “Pin Diagram” on page 2 of the Data Sheet is amended with the addition of the 28-pin QFN pinout, shown in Figure 1.
2. Table 3-1 of Section 3.0 (“Architectural Overview”) is replaced with an updated version that adds a column for QFN pin assignments. All new information is indicated in **bold**.
3. Section 18.1 (“Package Marking Information”) is amended to include a marking template and example for 28-pin QFN devices. These are shown in Figure 2.
4. Section 18.0 (“Package Information”) is amended to include the mechanical drawings of the 28-pin QFN package. These are shown in Figure 3 and Figure 4, respectively.
5. Table B-1 (“Device Differences”) is amended to include the 28-pin QFN for the PIC16C63A and PIC16C73B devices.

FIGURE 1: PINOUT DIAGRAM FOR PIC16C63A AND PIC16C73B, 28-PIN QFN

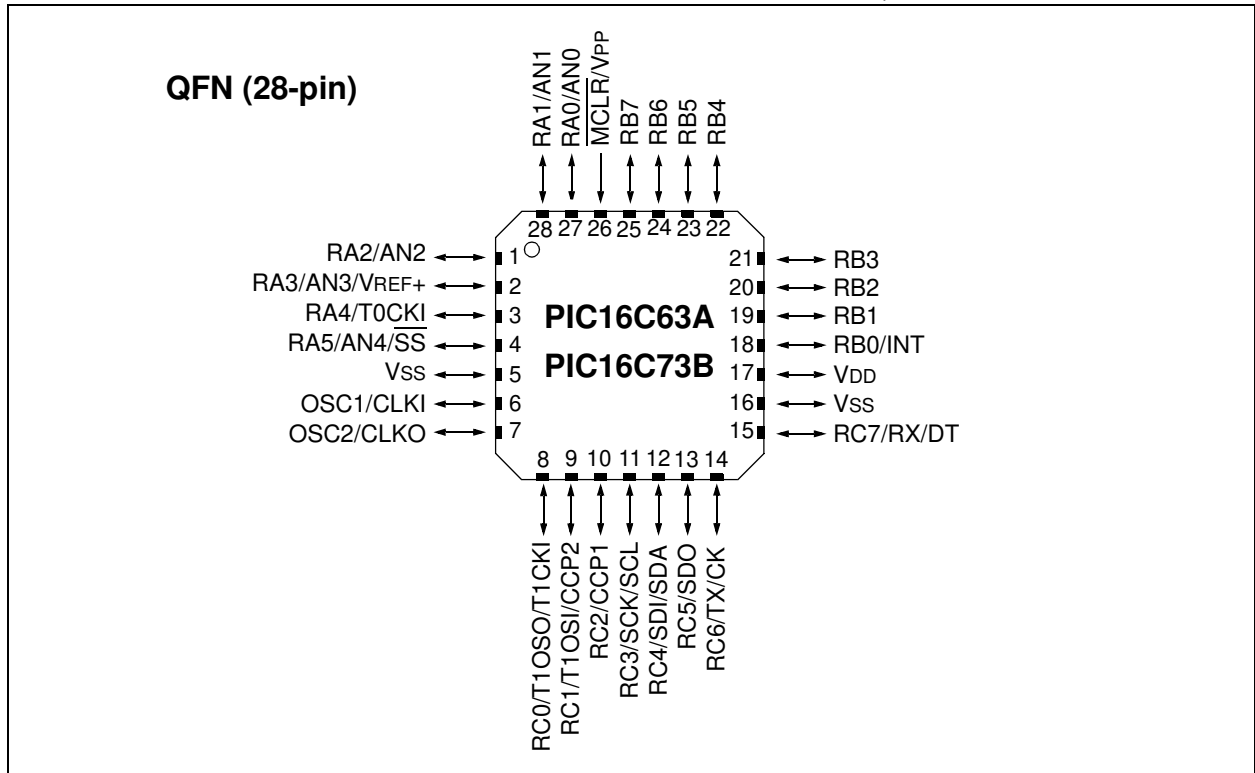
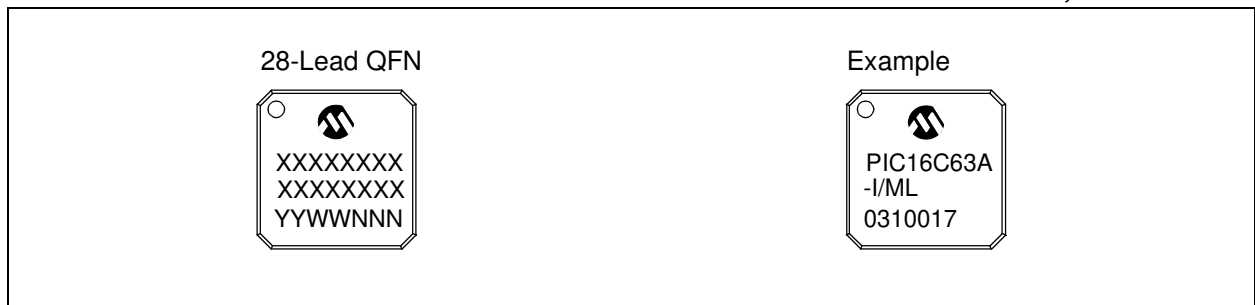


FIGURE 2: PACKAGE MARKING TEMPLATE FOR PIC16C63A AND PIC16C73B, 28-PIN QFN



# PIC16C63A/65B/73B/74B

**TABLE 3-1: PIC16C63A/73B PINOUT DESCRIPTION**

| Pin Name                    | DIP Pin# | SOIC Pin# | QFN Pin# | I/O/P Type | Buffer Type            | Description  |
|-----------------------------|----------|-----------|----------|------------|------------------------|--|
| OSC1/CLKIN                  | 9        | 9         | 6        | I          | ST/CMOS <sup>(3)</sup> | Oscillator crystal input/external clock source input.  |
| OSC2/CLKOUT                 | 10       | 10        | 7        | O          | —                      | Oscillator crystal output. Connects to crystal or resonator in crystal oscillator mode. In RC mode, the OSC2 pin outputs CLKOUT which has 1/4 the frequency of OSC1, and denotes the instruction cycle rate.   |
| MCLR/VPP                    | 1        | 1         | 26       | I/P        | ST                     | Master clear (RESET) input or programming voltage input. This pin is an active low RESET to the device.  |
| RA0/AN0 <sup>(4)</sup>      | 2        | 2         | 27       | I/O        | TTL                    | <p>PORTA is a bidirectional I/O port.</p> <p>RA0 can also be analog input 0<sup>(4)</sup>.</p> <p>RA1 can also be analog input 1<sup>(4)</sup>.</p> <p>RA2 can also be analog input 2<sup>(4)</sup>.</p> <p>RA3 can also be analog input 3 or analog reference voltage<sup>(4)</sup>.</p> <p>RA4 can also be the clock input to the Timer0 module. Output is open drain type.</p> <p>RA5 can also be analog input 4<sup>(4)</sup> or the slave select for the synchronous serial port.</p>   |
| RA1/AN1 <sup>(4)</sup>      | 3        | 3         | 28       | I/O        | TTL                    |  |
| RA2/AN2 <sup>(4)</sup>      | 4        | 4         | 1        | I/O        | TTL                    |  |
| RA3/AN3/VREF <sup>(4)</sup> | 5        | 5         | 2        | I/O        | TTL                    |  |
| RA4/T0CKI                   | 6        | 6         | 3        | I/O        | ST                     |  |
| RA5/SS/AN4 <sup>(4)</sup>   | 7        | 7         | 4        | I/O        | TTL                    |  |
| RB0/INT                     | 21       | 21        | 18       | I/O        | TTL/ST <sup>(1)</sup>  | <p>PORTB is a bidirectional I/O port. PORTB can be software programmed for internal weak pull-up on all inputs.</p> <p>RB0 can also be the external interrupt pin.</p> <p>Interrupt-on-change pin.</p> <p>Interrupt-on-change pin.</p> <p>Interrupt-on-change pin. Serial programming clock.</p> <p>Interrupt-on-change pin. Serial programming data.</p>  |
| RB1                         | 22       | 22        | 19       | I/O        | TTL                    |  |
| RB2                         | 23       | 23        | 20       | I/O        | TTL                    |  |
| RB3                         | 24       | 24        | 21       | I/O        | TTL                    |  |
| RB4                         | 25       | 25        | 22       | I/O        | TTL                    |  |
| RB5                         | 26       | 26        | 23       | I/O        | TTL                    |  |
| RB6                         | 27       | 27        | 24       | I/O        | TTL/ST <sup>(2)</sup>  |  |
| RB7                         | 28       | 28        | 25       | I/O        | TTL/ST <sup>(2)</sup>  |  |
| RC0/T1OSO/T1CKI             | 11       | 11        | 8        | I/O        | ST                     | <p>PORTC is a bidirectional I/O port.</p> <p>RC0 can also be the Timer1 oscillator output or Timer1 clock input.</p> <p>RC1 can also be the Timer1 oscillator input or Capture2 input/Compare2 output/PWM2 output.</p> <p>RC2 can also be the Capture1 input/Compare1 output/PWM1 output.</p> <p>RC3 can also be the synchronous serial clock input/output for both SPI and I<sup>2</sup>C modes.</p> <p>RC4 can also be the SPI Data In (SPI mode) or data I/O (I<sup>2</sup>C mode).</p> <p>RC5 can also be the SPI Data Out (SPI mode).</p> <p>RC6 can also be the USART Asynchronous Transmit or Synchronous Clock.</p> <p>RC7 can also be the USART Asynchronous Receive or Synchronous Data.</p> |
| RC1/T1OSI/CCP2              | 12       | 12        | 9        | I/O        | ST                     |  |
| RC2/CCP1                    | 13       | 13        | 10       | I/O        | ST                     |  |
| RC3/SCK/SCL                 | 14       | 14        | 11       | I/O        | ST                     |  |
| RC4/SDI/SDA                 | 15       | 15        | 12       | I/O        | ST                     |  |
| RC5/SDO                     | 16       | 16        | 13       | I/O        | ST                     |  |
| RC6/TX/CK                   | 17       | 17        | 14       | I/O        | ST                     |  |
| RC7/RX/DT                   | 18       | 18        | 15       | I/O        | ST                     |  |
| Vss                         | 8, 19    | 8, 19     | 16       | P          | —                      | Ground reference for logic and I/O pins.   |
| VDD                         | 20       | 20        | 17       | P          | —                      | Positive supply for logic and I/O pins.  |

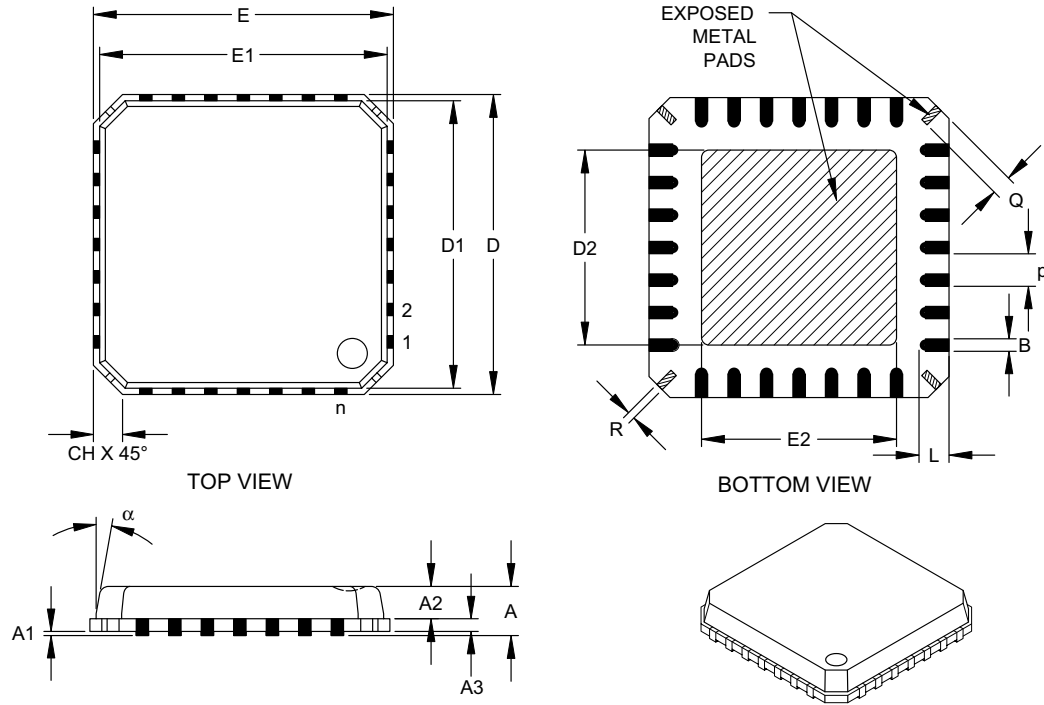
**Legend:** I = input      O = output      I/O = input/output      P = power  
 — = Not used      TTL = TTL input      ST = Schmitt Trigger input

- Note 1:** This buffer is a Schmitt Trigger input when configured as the external interrupt.
- 2:** This buffer is a Schmitt Trigger input when used in Serial Programming mode.
- 3:** This buffer is a Schmitt Trigger input when configured in RC Oscillator mode and a CMOS input otherwise.
- 4:** A/D module is not available in the PIC16C63A.

# PIC16C63A/65B/73B/74B

**FIGURE 3: 28-PIN QFN PACKAGE (DRAWING 1, PACKAGING)**

28-Lead Plastic Quad Flat No Lead Package (ML) 6x6 mm Body, Punch Singulated (QFN)



| Dimension Limits         | Units    | INCHES |          |      | MILLIMETERS* |          |      |
|--------------------------|----------|--------|----------|------|--------------|----------|------|
|                          |          | MIN    | NOM      | MAX  | MIN          | NOM      | MAX  |
| Number of Pins           | n        |        | 28       |      |              | 28       |      |
| Pitch                    | p        |        | .026 BSC |      |              | 0.65 BSC |      |
| Overall Height           | A        |        | .033     | .039 |              | 0.85     | 1.00 |
| Molded Package Thickness | A2       |        | .026     | .031 |              | 0.65     | 0.80 |
| Standoff                 | A1       | .000   | .0004    | .002 | 0.00         | 0.01     | 0.05 |
| Base Thickness           | A3       |        | .008 REF |      |              | 0.20 REF |      |
| Overall Width            | E        |        | .236 BSC |      |              | 6.00 BSC |      |
| Molded Package Width     | E1       |        | .226 BSC |      |              | 5.75 BSC |      |
| Exposed Pad Width        | E2       | .140   | .146     | .152 | 3.55         | 3.70     | 3.85 |
| Overall Length           | D        |        | .236 BSC |      |              | 6.00 BSC |      |
| Molded Package Length    | D1       |        | .226 BSC |      |              | 5.75 BSC |      |
| Exposed Pad Length       | D2       | .140   | .146     | .152 | 3.55         | 3.70     | 3.85 |
| Lead Width               | B        | .009   | .011     | .014 | 0.23         | 0.28     | 0.35 |
| Lead Length              | L        | .020   | .024     | .030 | 0.50         | 0.60     | 0.75 |
| Tie Bar Width            | R        | .005   | .007     | .010 | 0.13         | 0.17     | 0.23 |
| Tie Bar Length           | Q        | .012   | .016     | .026 | 0.30         | 0.40     | 0.65 |
| Chamfer                  | CH       | .009   | .017     | .024 | 0.24         | 0.42     | 0.60 |
| Mold Draft Angle Top     | $\alpha$ |        |          | 12°  |              |          | 12°  |

\*Controlling Parameter

Notes:

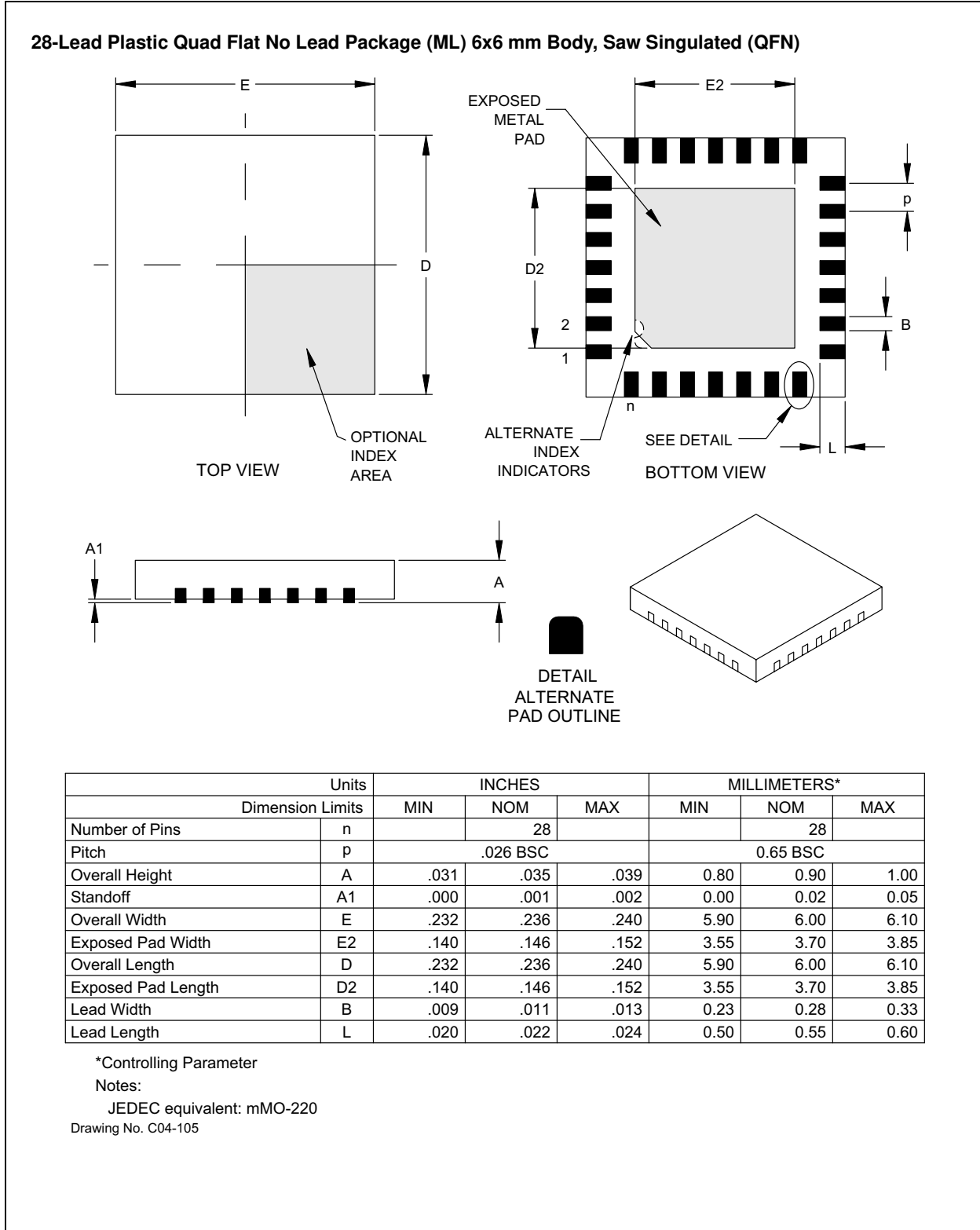
Dimensions D and E1 do not include mold flash or protrusions. Mold flash or protrusions shall not exceed .010" (0.254mm) per side.

JEDEC equivalent: mMO-220

Drawing No. C04-114

# PIC16C63A/65B/73B/74B

**FIGURE 4: 28-PIN QFN PACKAGE (DRAWING 2, PACKAGING)**



## 3. Module: RESET

Section 13.4.1 (“POWER-ON RESET (POR)”) has been amended to clarify the minimum specifications required for  $\overline{\text{MCLR}}$  in order to RESET the PIC16CXXX. The following paragraphs and figure have been added:

If a  $\overline{\text{MCLR}}$  pulse occurs that is less than the minimum specification (parameter #30), improper device operation can occur.

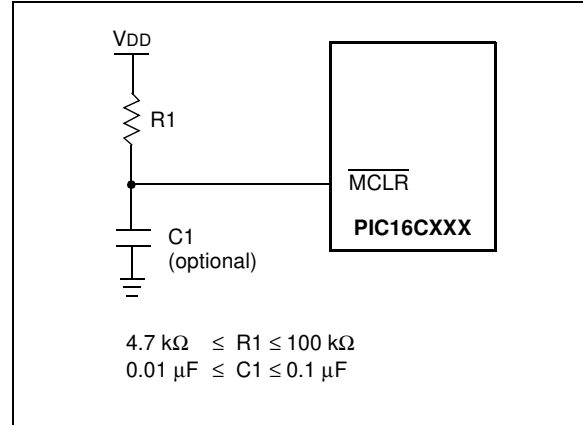
If the minimum specification cannot be met, then an external circuit must be used to ensure that any pulse width less than the specification will be filtered before it reaches the  $\overline{\text{MCLR}}$  pin.

A possible circuit to remedy this is shown in Figure 5. This circuit works by delaying the  $\overline{\text{MCLR}}$  release following a power-up. If no delay is required, the capacitor may be omitted.

An alternative would be to use a supervisory circuit to control  $\overline{\text{MCLR}}$ .

Design validation should be performed to verify that the application works as expected.

FIGURE 5:  $\overline{\text{MCLR}}$  EXTERNAL CIRCUIT





# PIC16C63A/65B/73B/74B

---

## REVISION HISTORY

Rev A Document (7/2003)

First revision of this document. Device Data Sheet Clarification issues 1 (SSP), 2 (Packaging) and 3 (RESET).

---

---

**Note the following details of the code protection feature on Microchip devices:**

- Microchip products meet the specification contained in their particular Microchip Data Sheet.
- Microchip believes that its family of products is one of the most secure families of its kind on the market today, when used in the intended manner and under normal conditions.
- There are dishonest and possibly illegal methods used to breach the code protection feature. All of these methods, to our knowledge, require using the Microchip products in a manner outside the operating specifications contained in Microchip's Data Sheets. Most likely, the person doing so is engaged in theft of intellectual property.
- Microchip is willing to work with the customer who is concerned about the integrity of their code.
- Neither Microchip nor any other semiconductor manufacturer can guarantee the security of their code. Code protection does not mean that we are guaranteeing the product as "unbreakable."

Code protection is constantly evolving. We at Microchip are committed to continuously improving the code protection features of our products. Attempts to break microchip's code protection feature may be a violation of the Digital Millennium Copyright Act. If such acts allow unauthorized access to your software or other copyrighted work, you may have a right to sue for relief under that Act.

---

Information contained in this publication regarding device applications and the like is intended through suggestion only and may be superseded by updates. It is your responsibility to ensure that your application meets with your specifications. No representation or warranty is given and no liability is assumed by Microchip Technology Incorporated with respect to the accuracy or use of such information, or infringement of patents or other intellectual property rights arising from such use or otherwise. Use of Microchip's products as critical components in life support systems is not authorized except with express written approval by Microchip. No licenses are conveyed, implicitly or otherwise, under any intellectual property rights.

#### Trademarks

The Microchip name and logo, the Microchip logo, dsPIC, KEELoQ, MPLAB, PIC, PICmicro, PICSTART, PRO MATE and PowerSmart are registered trademarks of Microchip Technology Incorporated in the U.S.A. and other countries.


FilterLab, microID, MXDEV, MXLAB, PICMASTER, SEEVAL and The Embedded Control Solutions Company are registered trademarks of Microchip Technology Incorporated in the U.S.A.

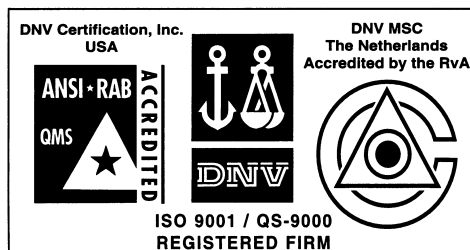
Accuron, Application Maestro, dsPICDEM, dsPICDEM.net, ECONOMONITOR, FanSense, FlexROM, fuzzyLAB, In-Circuit Serial Programming, ICSP, ICEPIC, microPort, Migratable Memory, MPASM, MPLIB, MPLINK, MPSIM, PICC, PICkit, PICDEM, PICDEM.net, PowerCal, PowerInfo, PowerMate, PowerTool, rLAB, rPIC, Select Mode, SmartSensor, SmartShunt, SmartTel and Total Endurance are trademarks of Microchip Technology Incorporated in the U.S.A. and other countries.

Serialized Quick Turn Programming (SQTP) is a service mark of Microchip Technology Incorporated in the U.S.A.

All other trademarks mentioned herein are property of their respective companies.

© 2003, Microchip Technology Incorporated, Printed in the U.S.A., All Rights Reserved.

 Printed on recycled paper.



*Microchip received QS-9000 quality system certification for its worldwide headquarters, design and wafer fabrication facilities in Chandler and Tempe, Arizona in July 1999 and Mountain View, California in March 2002. The Company's quality system processes and procedures are QS-9000 compliant for its PICmicro® 8-bit MCUs, KEELoQ® code hopping devices, Serial EEPROMs, microperipherals, non-volatile memory and analog products. In addition, Microchip's quality system for the design and manufacture of development systems is ISO 9001 certified.*



## WORLDWIDE SALES AND SERVICE

### AMERICAS

#### Corporate Office

2355 West Chandler Blvd.  
Chandler, AZ 85224-6199  
Tel: 480-792-7200  
Fax: 480-792-7277  
Technical Support: 480-792-7627  
Web Address: <http://www.microchip.com>

#### Atlanta

3780 Mansell Road, Suite 130  
Alpharetta, GA 30022  
Tel: 770-640-0034  
Fax: 770-640-0307

#### Boston

2 Lan Drive, Suite 120  
Westford, MA 01886  
Tel: 978-692-3848  
Fax: 978-692-3821

#### Chicago

333 Pierce Road, Suite 180  
Itasca, IL 60143  
Tel: 630-285-0071  
Fax: 630-285-0075

#### Dallas

4570 Westgrove Drive, Suite 160  
Addison, TX 75001  
Tel: 972-818-7423  
Fax: 972-818-2924

#### Detroit

Tri-Atria Office Building  
32255 Northwestern Highway, Suite 190  
Farmington Hills, MI 48334  
Tel: 248-538-2250  
Fax: 248-538-2260

#### Kokomo

2767 S. Albright Road  
Kokomo, IN 46902  
Tel: 765-864-8360  
Fax: 765-864-8387

#### Los Angeles

18201 Von Karman, Suite 1090  
Irvine, CA 92612  
Tel: 949-263-1888  
Fax: 949-263-1338

#### Phoenix

2355 West Chandler Blvd.  
Chandler, AZ 85224-6199  
Tel: 480-792-7966  
Fax: 480-792-4338

#### San Jose

2107 North First Street, Suite 590  
San Jose, CA 95131  
Tel: 408-436-7950  
Fax: 408-436-7955

#### Toronto

6285 Northam Drive, Suite 108  
Mississauga, Ontario L4V 1X5, Canada  
Tel: 905-673-0699  
Fax: 905-673-6509

### ASIA/PACIFIC

#### Australia

Suite 22, 41 Rawson Street  
Epping 2121, NSW  
Australia  
Tel: 61-2-9868-6733  
Fax: 61-2-9868-6755

#### China - Beijing

Unit 915  
Bei Hai Wan Tai Bldg.  
No. 6 Chaoyangmen Beidajie  
Beijing, 100027, No. China  
Tel: 86-10-85282100  
Fax: 86-10-85282104

#### China - Chengdu

Rm. 2401-2402, 24th Floor,  
Ming Xing Financial Tower  
No. 88 TIDU Street  
Chengdu 610016, China  
Tel: 86-28-86766200  
Fax: 86-28-86766599

#### China - Fuzhou

Unit 28F, World Trade Plaza  
No. 71 Wusi Road  
Fuzhou 350001, China  
Tel: 86-591-7503506  
Fax: 86-591-7503521

#### China - Hong Kong SAR

Unit 901-6, Tower 2, Metroplaza  
223 Hing Fong Road  
Kwai Fong, N.T., Hong Kong  
Tel: 852-2401-1200  
Fax: 852-2401-3431

#### China - Shanghai

Room 701, Bldg. B  
Far East International Plaza  
No. 317 Xian Xia Road  
Shanghai, 200051  
Tel: 86-21-6275-5700  
Fax: 86-21-6275-5060

#### China - Shenzhen

Rm. 1812, 18/F, Building A, United Plaza  
No. 5022 Binhe Road, Futian District  
Shenzhen 518033, China  
Tel: 86-755-82901380  
Fax: 86-755-8295-1393

#### China - Shunde

Room 401, Hongjian Building  
No. 2 Fengxiangnan Road, Ronggui Town  
Shunde City, Guangdong 528303, China  
Tel: 86-765-8395507 Fax: 86-765-8395571

#### China - Qingdao

Rm. B505A, Fullhope Plaza,  
No. 12 Hong Kong Central Rd.  
Qingdao 266071, China  
Tel: 86-532-5027355 Fax: 86-532-5027205

#### India

Divyasree Chambers  
1 Floor, Wing A (A3/A4)  
No. 11, O'Shaughnessy Road  
Bangalore, 560 025, India  
Tel: 91-80-2290061 Fax: 91-80-2290062

#### Japan

Benex S-1 6F  
3-18-20, Shinyokohama  
Kohoku-Ku, Yokohama-shi  
Kanagawa, 222-0033, Japan  
Tel: 81-45-471-6166 Fax: 81-45-471-6122

### Korea

168-1, Youngbo Bldg. 3 Floor  
Samsung-Dong, Kangnam-Ku  
Seoul, Korea 135-882  
Tel: 82-2-554-7200 Fax: 82-2-558-5932 or  
82-2-558-5934

### Singapore

200 Middle Road  
#07-02 Prime Centre  
Singapore, 188980  
Tel: 65-6334-8870 Fax: 65-6334-8850

### Taiwan

Kaohsiung Branch  
30F - 1 No. 8  
Min Chuan 2nd Road  
Kaohsiung 806, Taiwan  
Tel: 886-7-536-4818  
Fax: 886-7-536-4803

### Taiwan

Taiwan Branch  
11F-3, No. 207  
Tung Hua North Road  
Taipei, 105, Taiwan  
Tel: 886-2-2717-7175 Fax: 886-2-2545-0139

### EUROPE

#### Austria

Durisolstrasse 2  
A-4600 Wels  
Austria  
Tel: 43-7242-2244-399  
Fax: 43-7242-2244-393

#### Denmark

Regus Business Centre  
Lautrup høj 1-3  
Ballerup DK-2750 Denmark  
Tel: 45-4420-9895 Fax: 45-4420-9910

#### France

Parc d'Activite du Moulin de Massy  
43 Rue du Saule Trapu  
Batiment A - 1er Etage  
91300 Massy, France  
Tel: 33-1-69-53-63-20  
Fax: 33-1-69-30-90-79

#### Germany

Steinheilstrasse 10  
D-85737 Ismaning, Germany  
Tel: 49-89-627-144-0  
Fax: 49-89-627-144-44

#### Italy

Via Quasimodo, 12  
20025 Legnano (MI)  
Milan, Italy  
Tel: 39-0331-742611  
Fax: 39-0331-466781

#### Netherlands

P. A. De Biesbosch 14  
NL-5152 SC Drunen, Netherlands  
Tel: 31-416-690399  
Fax: 31-416-690340

#### United Kingdom

505 Eskdale Road  
Widdersh Triangle  
Wokingham  
Berkshire, England RG41 5TU  
Tel: 44-118-921-5869  
Fax: 44-118-921-5820

07/28/03