



Chipsmall Limited consists of a professional team with an average of over 10 year of expertise in the distribution of electronic components. Based in Hongkong, we have already established firm and mutual-benefit business relationships with customers from,Europe,America and south Asia,supplying obsolete and hard-to-find components to meet their specific needs.

With the principle of “Quality Parts,Customers Priority,Honest Operation,and Considerate Service”,our business mainly focus on the distribution of electronic components. Line cards we deal with include Microchip,ALPS,ROHM,Xilinx,Pulse,ON,Everlight and Freescale. Main products comprise IC,Modules,Potentiometer,IC Socket,Relay,Connector.Our parts cover such applications as commercial,industrial, and automotives areas.

We are looking forward to setting up business relationship with you and hope to provide you with the best service and solution. Let us make a better world for our industry!



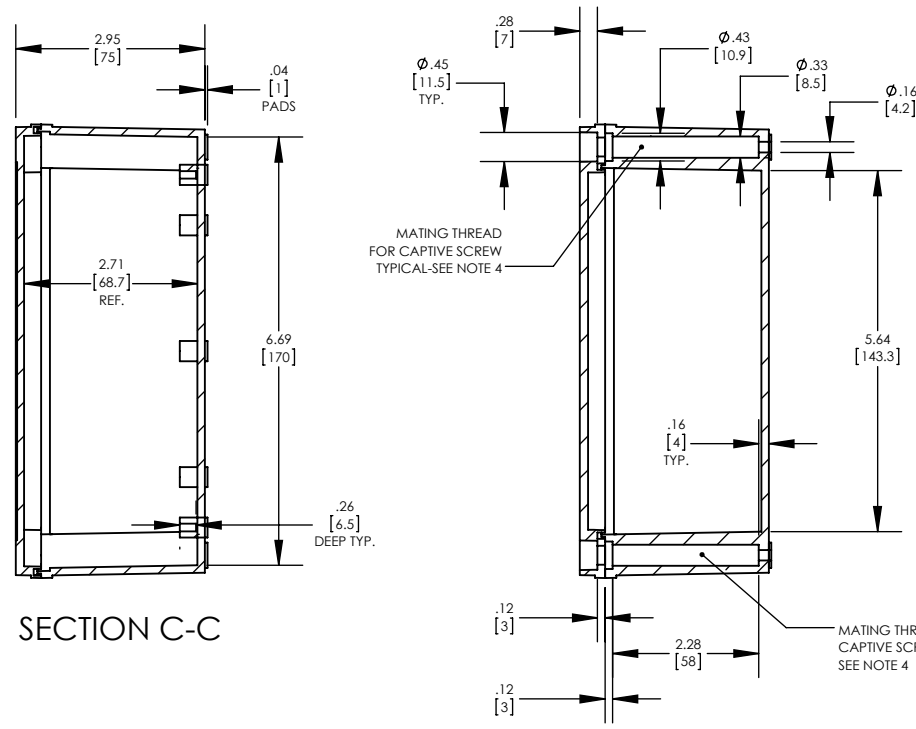
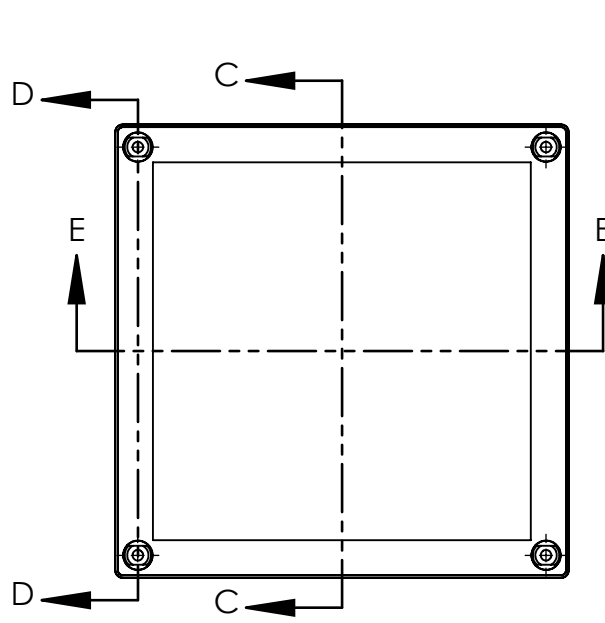
Contact us

Tel: +86-755-8981 8866 Fax: +86-755-8427 6832

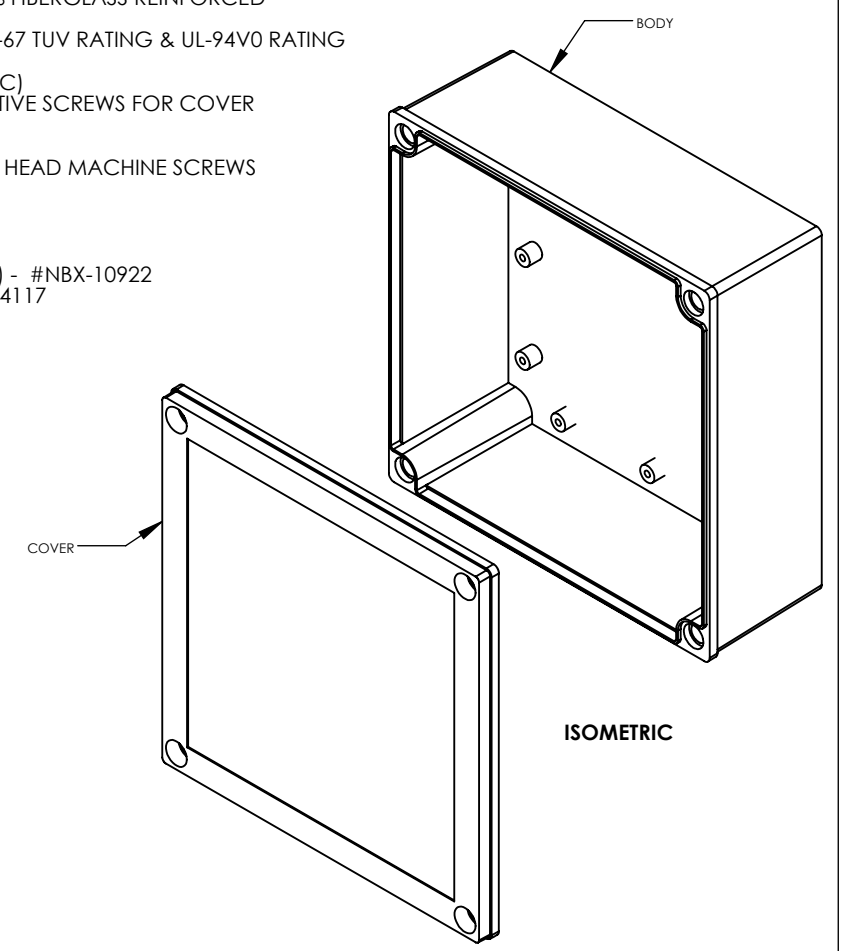
Email & Skype: info@chipsmall.com Web: www.chipsmall.com

Address: A1208, Overseas Decoration Building, #122 Zhenhua RD., Futian, Shenzhen, China

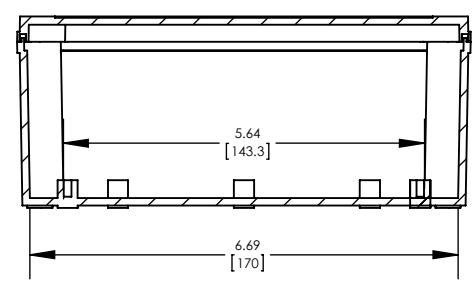




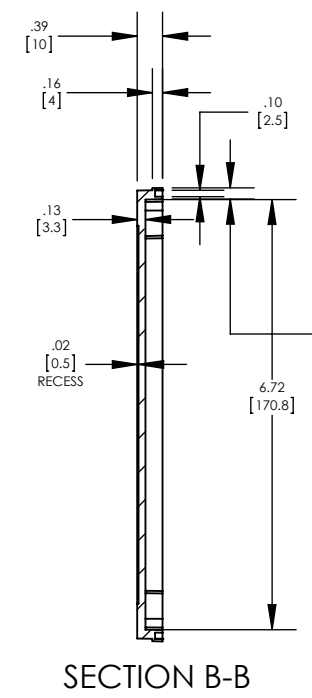
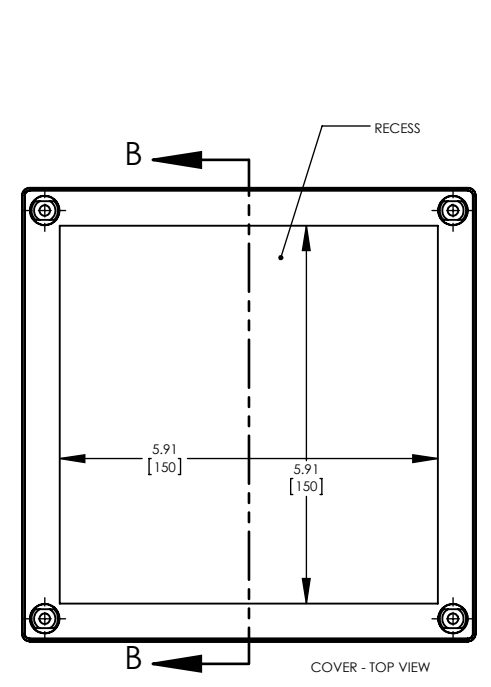
- NOTES:
 1- MATERIAL: BODY - POLYCARBONATE 10% FIBERGLASS REINFORCED
 COVER - POLYCARBONATE
 UL508 /NEMA TYPE 4X WITH IP-67 TUV RATING & UL-94V0 RATING
 2- FINISH: BODY - LIGHT GRAY
 COVER - LIGHT GRAY OR CLEAR (-C)
 3- SUPPLIED WITH FOUR NON-METALLIC CAPTIVE SCREWS FOR COVER MOUNTING
 4- CONTINUOUS GASKET IN COVER
 5- SUPPLIED WITH FOUR M4 x 8mm LG. TRUSS HEAD MACHINE SCREWS
 6- DIMENSIONS ARE INCH [MM]
 7- DRAWING FOR REFERENCE
 8- OPTIONAL ACCESSORIES:
 INTERNAL STEEL PANEL - #PIX-11772
 MOUNTING BRACKET KIT (STAINLESS STEEL) - #NBX-10922
 MOUNTING BRACKET KIT (PLASTIC) - #PIX-4117



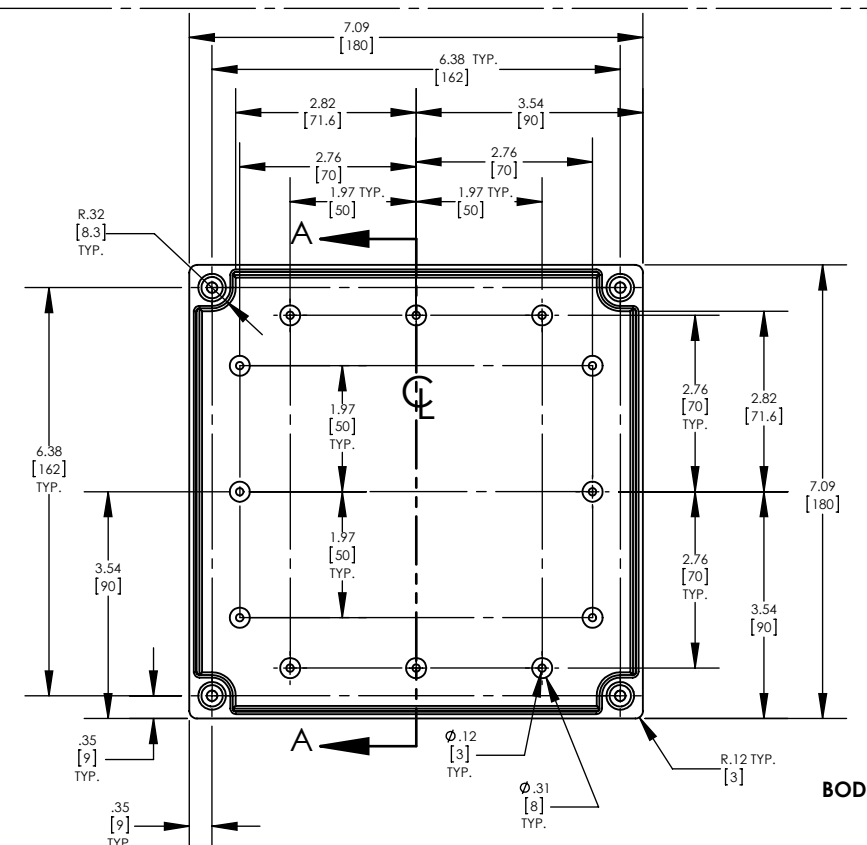
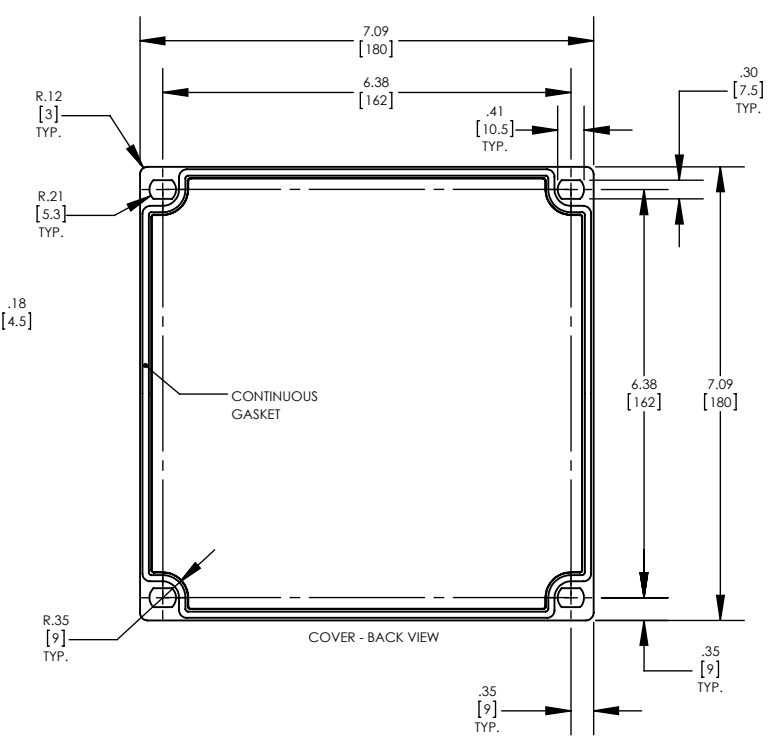
SECTION E-E



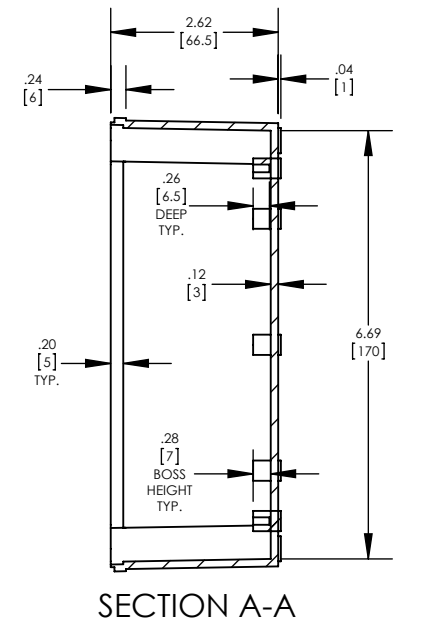
ASSEMBLY



COVER



BODY



SECTION A-A