



Chipsmall Limited consists of a professional team with an average of over 10 year of expertise in the distribution of electronic components. Based in Hongkong, we have already established firm and mutual-benefit business relationships with customers from,Europe,America and south Asia,supplying obsolete and hard-to-find components to meet their specific needs.

With the principle of “Quality Parts,Customers Priority,Honest Operation,and Considerate Service”,our business mainly focus on the distribution of electronic components. Line cards we deal with include Microchip,ALPS,ROHM,Xilinx,Pulse,ON,Everlight and Freescale. Main products comprise IC,Modules,Potentiometer,IC Socket,Relay,Connector.Our parts cover such applications as commercial,industrial, and automotives areas.

We are looking forward to setting up business relationship with you and hope to provide you with the best service and solution. Let us make a better world for our industry!



## Contact us

Tel: +86-755-8981 8866 Fax: +86-755-8427 6832

Email & Skype: info@chipsmall.com Web: www.chipsmall.com

Address: A1208, Overseas Decoration Building, #122 Zhenhua RD., Futian, Shenzhen, China



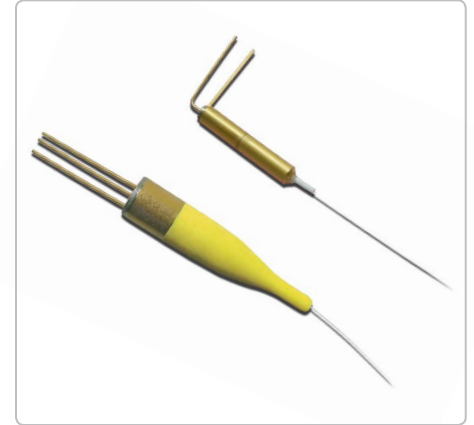
# PIGTAIL INTEGRATED INGAAS PIN PHOTODIODE

## PIPD Series

### Product Description

Oplink's PIPD series PIN photodiode is based on InGaAs process. It is designed for power level monitoring in optical network systems. The product features low dark current and high responsivity and wide operating wavelength range.

Oplink can provide customized designs to meet specialized feature applications. Also, Oplink offers modular assemblies that integrate other components to form a full function module or subsystem.



### Performance Specifications

Parameters	Symbol	Specification			Unit	
		Min.	Typ.	Max.		
Operating Wavelength Range	$\lambda_{op}$	1310±50 or/and 1550±50			nm	
Responsivity	@1550nm	$R_{1550}$	0.80	0.90	A/W	
	@1310nm	$R_{1310}$	0.75	0.85		
Polarization Dependent Responsivity	PDR		0.1		dB	
Dark Current @ $V_R=5V (70^\circ C)$	Bandwidth=2.0G	Id			2.5	nA
	Bandwidth=0.5G				10	
Capacitance @ $V_R=5V (1MHz)$	Bandwidth=2.0G	C		0.7	1	pF
	Bandwidth=0.5G			0.7	8	
Return loss	RL	40			dB	
Fiber Type		Corning SMF-28				
Package Dimensions	Pkg 1	(Ø) 5.6 x (L)26.0			mm	
	Pkg 3/4	(Ø) 3.3 x (L)17.0				

### Environmental Conditions

Parameters	Min.	Typ.	Max.	Unit
Operating Temperature *	0		+70	°C
Storage Temperature *	-40		+85	°C
Soldering Temperature (<5s, >2mm from device)			260	°C

\* Not to exceed 0.024 kg water per kg of dry air. Non-condensing Conditions.

### Features

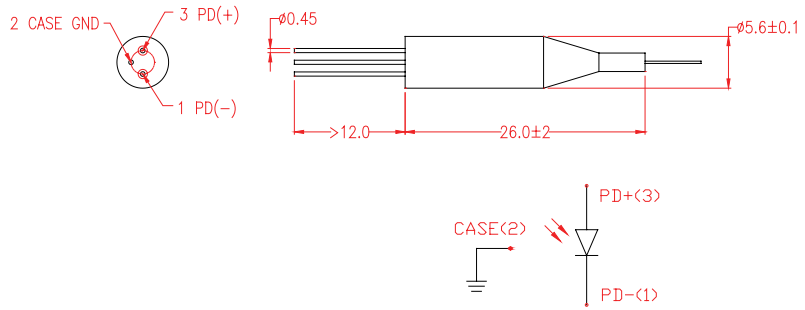
- ◆ High Responsivity
- ◆ Low Dark Current
- ◆ Quick Response
- ◆ Wide Operating Wavelength
- ◆ High Reliability
- ◆ Laser Welding & Soldering

### Applications

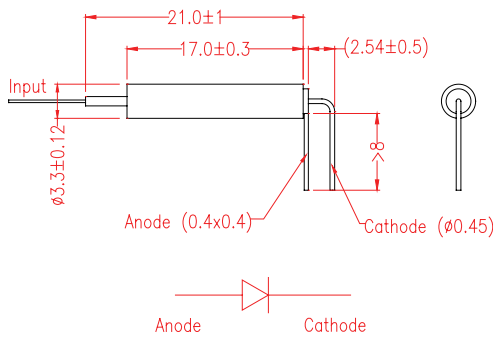
- ◆ Power Monitoring
- ◆ DWDM Systems
- ◆ "Smart" Optical Amplifiers
- ◆ Network Links and Optical Cross-connects
- ◆ Re-configurable Optical Add/Drop Multiplexers
- ◆ Protection/Restoration System

**Mechanical Drawing / Package Dimensions (dimension in mm)**

**Package 1 (Bare Fiber or Loose Tube)**

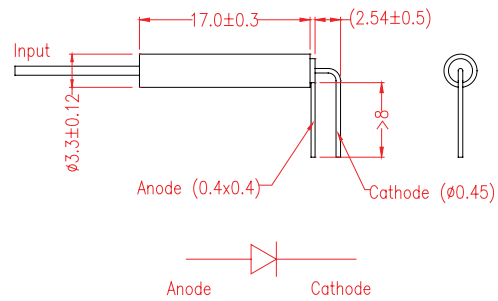


**Package 3 (Bare Fiber)**



NOTE:  
1. UNITS: mm.  
2. Anode is connected to the metal housing.

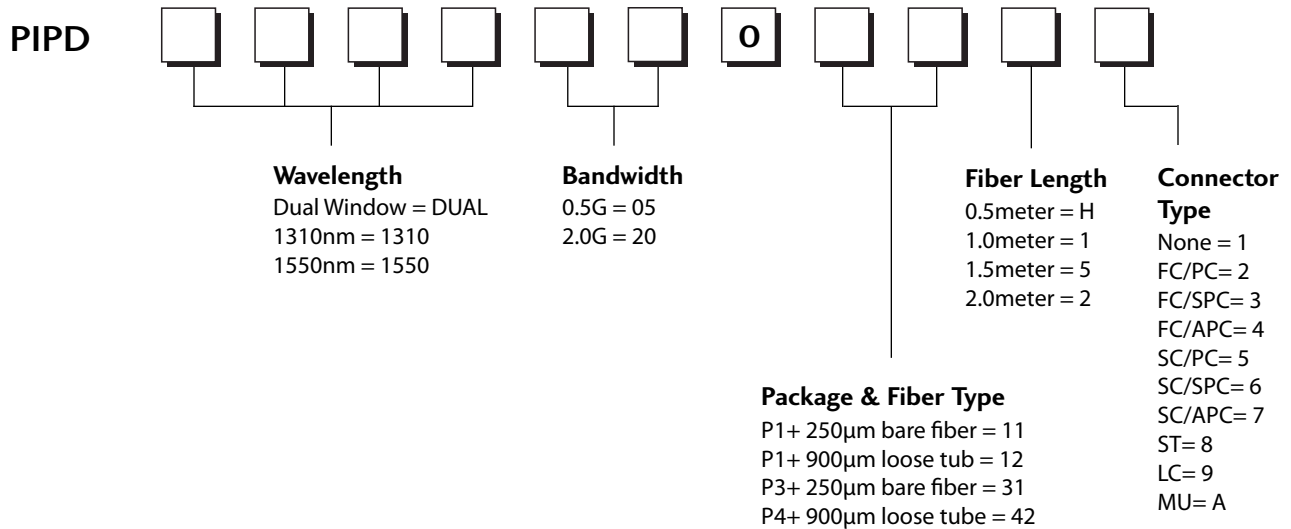
**Package 4 (900µm Loose Tube)**



NOTE:  
1. UNITS: mm.  
2. Anode is connected to the metal housing.

**Ordering Information**

Oplink can provide a remarkable range of customized optical solutions. For detail, please contact Oplink's OEM design team or account manager for your requirements and ordering information (510) 933-7200.



\*\* RoHS: Add "G" to the end of the above PN for RoHS 6.

\* The tolerance of fiber length is +/-0.1m.