



Chipsmall Limited consists of a professional team with an average of over 10 year of expertise in the distribution of electronic components. Based in Hongkong, we have already established firm and mutual-benefit business relationships with customers from,Europe,America and south Asia,supplying obsolete and hard-to-find components to meet their specific needs.

With the principle of “Quality Parts,Customers Priority,Honest Operation,and Considerate Service”,our business mainly focus on the distribution of electronic components. Line cards we deal with include Microchip,ALPS,ROHM,Xilinx,Pulse,ON,Everlight and Freescale. Main products comprise IC,Modules,Potentiometer,IC Socket,Relay,Connector.Our parts cover such applications as commercial,industrial, and automotives areas.

We are looking forward to setting up business relationship with you and hope to provide you with the best service and solution. Let us make a better world for our industry!



Contact us

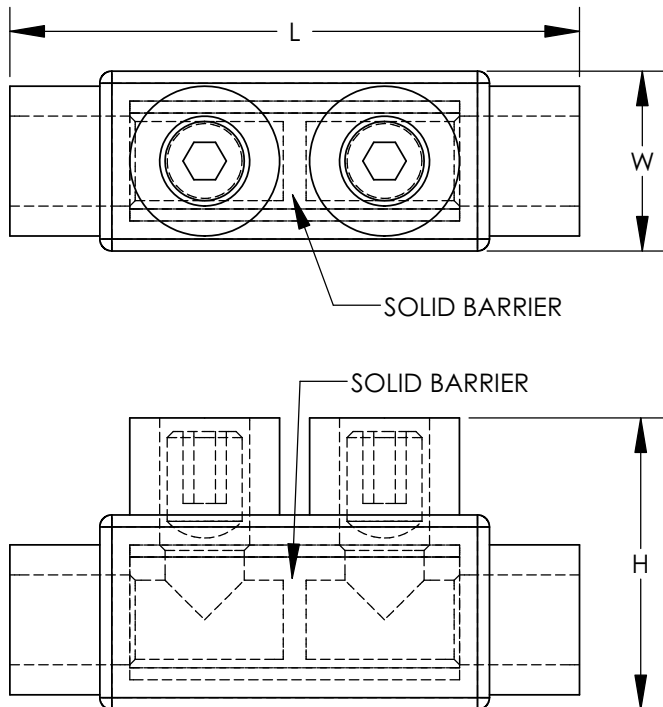
Tel: +86-755-8981 8866 Fax: +86-755-8427 6832

Email & Skype: info@chipsmall.com Web: www.chipsmall.com

Address: A1208, Overseas Decoration Building, #122 Zhenhua RD., Futian, Shenzhen, China



THIS COPY IS PROVIDED ON A RESTRICTED BASIS AND IS NOT TO BE USED IN ANY WAY DETRIMENTAL TO THE INTERESTS OF PANDUIT CORP.



NOTES:

1. CONNECTORS ARE MADE OF HIGH STRENGTH ALUMINUM ALLOY, PRE-FILLED WITH OXIDE INHIBITOR COMPOUND.
2. CLEAR PVC INSULATION ELIMINATES NEED FOR TAPING.
3. REMOVABLE PLUGS IN EACH PORT PROVIDE EASY ACCESS FOR INSTALLATION.
4. FOR USE WITH ONE WIRE PORT.
5. CONNECTOR TO INCLUDE PLATED ALUMINUM SET SCREWS.
6. FOR USE WITH ANY COMBINATION FOR COPPER OR ALUMINUM CODE CONDUCTOR WIRE AL9CU RATED.
7. PACKAGE QTY: -1 = 1 PC.



PANDUIT PART NUMBER	CONDUCTOR RANGE	WIRE STRIP LENGTH (IN)	APPROXIMATE DIMENSIONS - INCHES (+/- 0.13)			HEX SCREW SIZE (IN)	TIGHTENING TORQUE (IN-LB)
			L	W	H		
PISR2-1	2 STR. - 14 STR. 8 SOL. - 10 SOL.	0.63	2.38	0.75	1.25	5/32	100
PISR1/0-1	1/0 STR. - 14 STR. 8 SOL. - 14 SOL.	0.94	2.91	0.95	1.41	3/16	120
PISR250-1	250 kcmil - 10 STR. 8 SOL. - 10 SOL.	1.12	4.00	1.25	2.24	5/16	275
PISR350-1	350 kcmil - 10 STR. 8 SOL. - 10 SOL.	1.25	4.63	1.40	2.34	5/16	275
PISR500-1	500 kcmil - 6 STR.	1.62	5.25	1.72	2.63	3/8	500

05	05/09	JESH	JAC	NOTE 5 CONNECTOR TO INCLUDE PLATED ALUMINUM SET SCREWS. WAS CONNECTOR TO INCLUDE PLATED STEEL SET SCREWS.		PANDUIT CORP. TINLEY PARK, ILLINOIS ALUMINUM CLEAR INSULATED INLINE SPLICER REDUCER (PISR SERIES) CUSTOMER DRAWING
04	04/09	JESH	JAC	UPDATED NOTES 3, 4, 5, AND 6.		
03	10/08	JHNU	KPB	ADDED ±.13 TOLERANCE REVISED DIM. 'H' FOR PISR350-1 & PISR500-1: 2.34 WAS 2.28, 2.63 WAS 2.56		
02	5/05	JHNU	RLS	REVISED CONDUCTOR RANGE & DIM'S, ADDED HEX SCREW SIZE, TORQUE, WIRE STRIP LENGTH		
REV	DATE	BY	CHK	DESCRIPTION	ECN	
					SCALE N/A	DRAWING NO / CAD FILE C41359_05