



Chipsmall Limited consists of a professional team with an average of over 10 year of expertise in the distribution of electronic components. Based in Hongkong, we have already established firm and mutual-benefit business relationships with customers from,Europe,America and south Asia,supplying obsolete and hard-to-find components to meet their specific needs.

With the principle of “Quality Parts,Customers Priority,Honest Operation,and Considerate Service”,our business mainly focus on the distribution of electronic components. Line cards we deal with include Microchip,ALPS,ROHM,Xilinx,Pulse,ON,Everlight and Freescale. Main products comprise IC,Modules,Potentiometer,IC Socket,Relay,Connector.Our parts cover such applications as commercial,industrial, and automotives areas.

We are looking forward to setting up business relationship with you and hope to provide you with the best service and solution. Let us make a better world for our industry!



Contact us

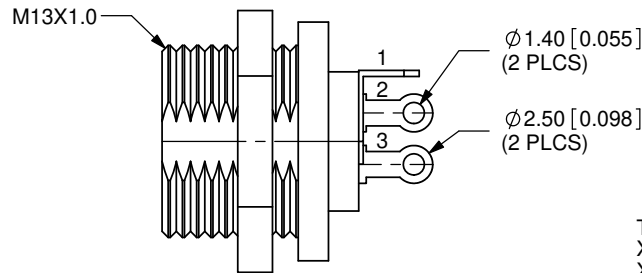
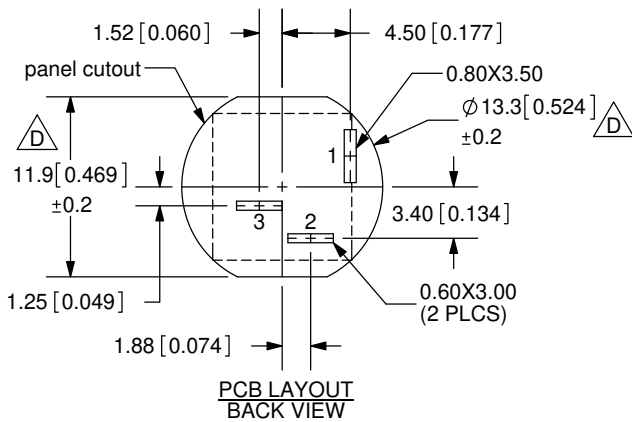
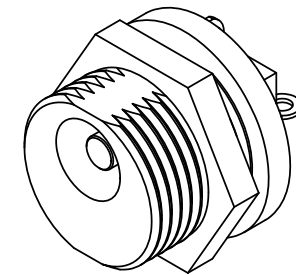
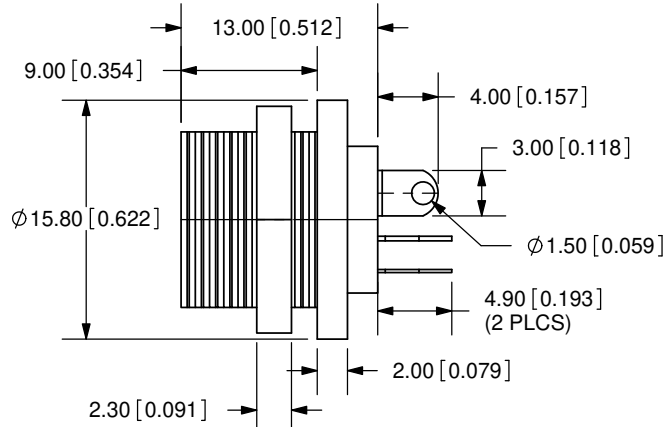
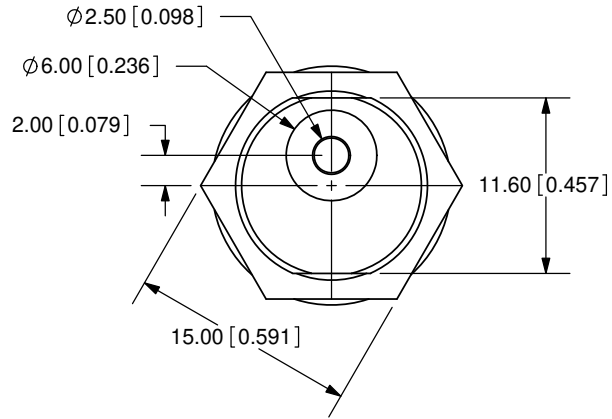
Tel: +86-755-8981 8866 Fax: +86-755-8427 6832

Email & Skype: info@chipsmall.com Web: www.chipsmall.com

Address: A1208, Overseas Decoration Building, #122 Zhenhua RD., Futian, Shenzhen, China



| REV. | DESCRIPTION | DATE |
|------|------------------------------|-----------|
| B | update to pin positions | 5/1/2008 |
| C | model revised | 5/12/2008 |
| D | hole cutout dimensions added | 6/27/2011 |



TOLERANCE:
 X.X ±0.2mm
 X.XX ±0.1mm
 X.XXX ±0.05mm



SPECIFICATIONS:
 RATING: 12V DC @ 2A
 CONTACT RESISTANCE: 30m OHMS MAX
 INSULATION RESISTANCE: 100M OHMS MIN: 500V DC
 VOLTAGE WITHSTAND: 500V AC R.M.S. FOR 1 MINUTE
 LIFE: 5,000 CYCLES

| | MATERIAL | PLATING |
|------------|-----------------|---------|
| CENTER PIN | Copper | Nickel |
| TERMINAL 1 | Brass | Silver |
| TERMINAL 2 | Phosphor Bronze | Silver |
| TERMINAL 3 | Brass | Silver |
| NUT | Brass | Nickel |
| INSULATOR | Bakelite | |
| HOUSING | POM | |



CUI INC

20050 SW 112th Ave.
 Tualatin, OR 97062
 Phone: 503-612-2300
 800-275-4899
 Fax: 503-612-2383
 Website: www.cui.com

| MODEL NO. | PJ-011B |
|-----------|---------|
| SCHMATIC | |

CENTER PIN DIAMETER 2.5mm Dia.

| | | |
|----------------------|--------------|--------------------|
| TITLE: DC POWER JACK | | REV: D |
| PART NO. PJ-011B | | UNITS: MM [INCHES] |
| DRAWN BY: ZRJ | APPROVED BY: | SCALE: 2:1 |

PC FILE NAME:
PJ-011B

COPYRIGHT 2011 BY CUI INC.