



Chipsmall Limited consists of a professional team with an average of over 10 year of expertise in the distribution of electronic components. Based in Hongkong, we have already established firm and mutual-benefit business relationships with customers from,Europe,America and south Asia,supplying obsolete and hard-to-find components to meet their specific needs.

With the principle of “Quality Parts,Customers Priority,Honest Operation,and Considerate Service”,our business mainly focus on the distribution of electronic components. Line cards we deal with include Microchip,ALPS,ROHM,Xilinx,Pulse,ON,Everlight and Freescale. Main products comprise IC,Modules,Potentiometer,IC Socket,Relay,Connector.Our parts cover such applications as commercial,industrial, and automotives areas.

We are looking forward to setting up business relationship with you and hope to provide you with the best service and solution. Let us make a better world for our industry!



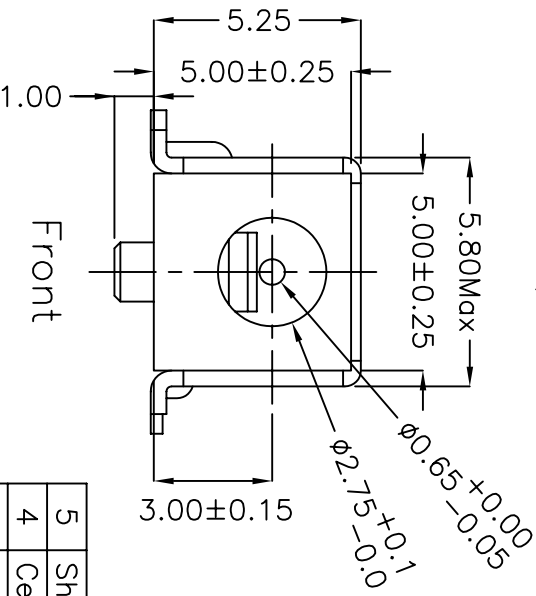
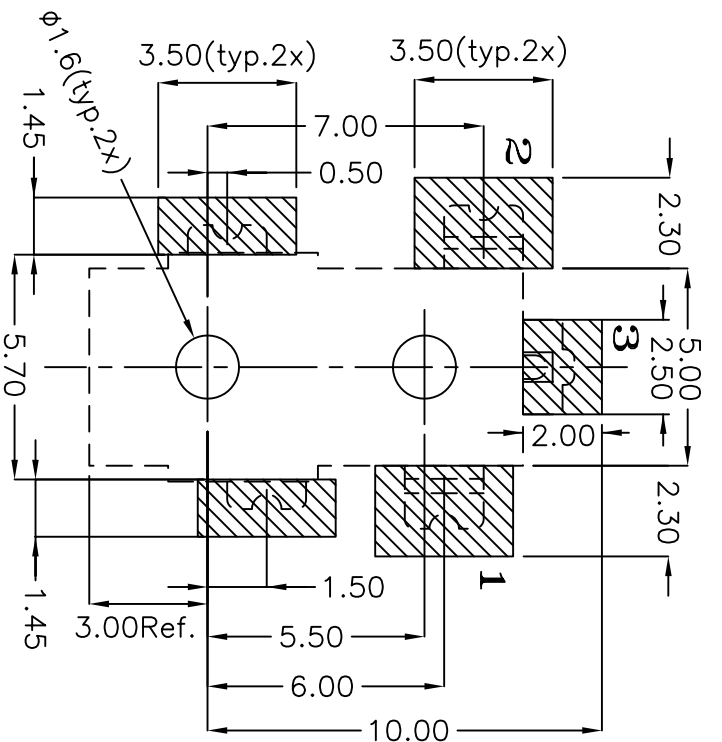
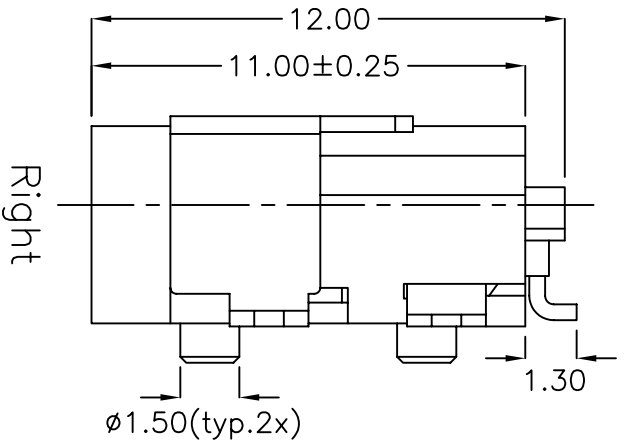
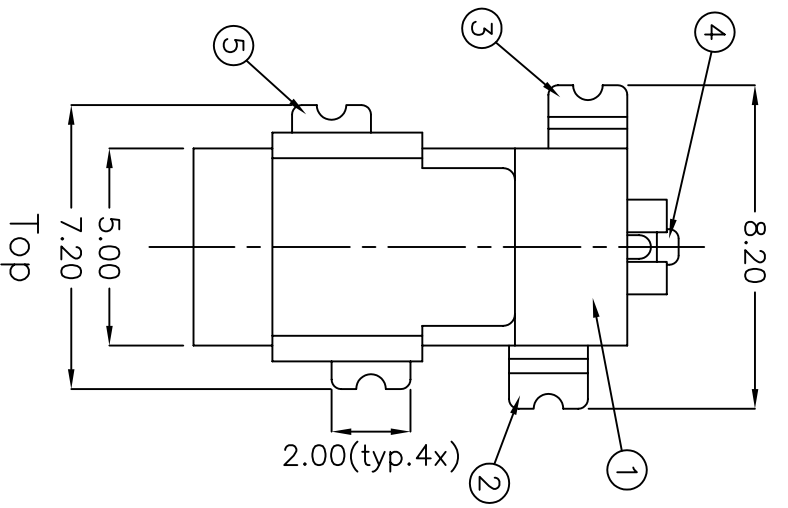
Contact us

Tel: +86-755-8981 8866 Fax: +86-755-8427 6832

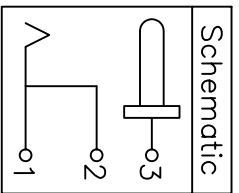
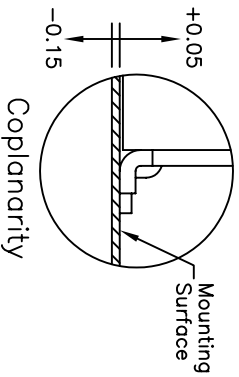
Email & Skype: info@chipsmall.com Web: www.chipsmall.com

Address: A1208, Overseas Decoration Building, #122 Zhenhua RD., Futian, Shenzhen, China





- Specifications:
1. Insulation Resistance: 100M Ohms min. (Initial)
 2. Contact Resistance (Initial): 30m Ohm max at 100mA(max) 1KHz.
 3. Dielectric Withstand Voltage: AC 250V, 50 to 60Hz for 1 minute.
 4. Endurance: 5,000 Cycles 10 ~ 20 cycles per minute.
 5. Rated Voltage: 4.20 Volts DC
 6. Rated Current: 2.0 Amps DC
 7. Operating Temp: -25 to +85 deg. C.



Note: ±0.20 for PCB Layout

Unless Otherwise Specified:
Dimensions Tolerance on Decimals ±0.3

5	Shield	SPCC	Nickel	1	40T
4	Center Pin	PBW	Silver	1	Ø0.65
3	Shunt Terminal	Brass	Silver	1	40T
2	Spring Contact	Ti-Cu Alloy	Silver	1	30T
1	Plastic Housing	Polyamide	Black Color	1	UL94V-0
No.	Description	Material	Finish	Qty	Note



CUI INC

9615 SW Allen, Suite 103
Beaverton, OR 97005
Phone: (503) 643-4899
800-275-4899
Fax: (503) 372-1266
Website: www.cui.com

TITLE: **Ø0.65 DC Power Jack w/ Shield, SMT Type**

PART NO: PJ-023-SMT UNITS: Millimeters

DRAWN BY: Todd White APPROVED BY: SCALE: 5x