



Chipsmall Limited consists of a professional team with an average of over 10 year of expertise in the distribution of electronic components. Based in Hongkong, we have already established firm and mutual-benefit business relationships with customers from,Europe,America and south Asia,supplying obsolete and hard-to-find components to meet their specific needs.

With the principle of “Quality Parts,Customers Priority,Honest Operation,and Considerate Service”,our business mainly focus on the distribution of electronic components. Line cards we deal with include Microchip,ALPS,ROHM,Xilinx,Pulse,ON,Everlight and Freescale. Main products comprise IC,Modules,Potentiometer,IC Socket,Relay,Connector.Our parts cover such applications as commercial,industrial, and automotives areas.

We are looking forward to setting up business relationship with you and hope to provide you with the best service and solution. Let us make a better world for our industry!



Contact us

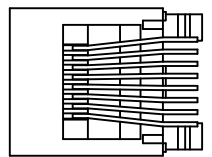
Tel: +86-755-8981 8866 Fax: +86-755-8427 6832

Email & Skype: info@chipsmall.com Web: www.chipsmall.com

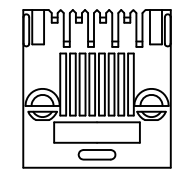
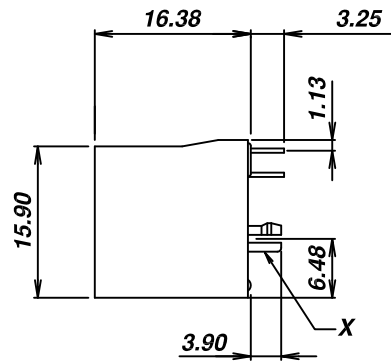
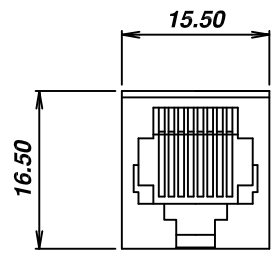
Address: A1208, Overseas Decoration Building, #122 Zhenhua RD., Futian, Shenzhen, China



SIGN	DATE	DESCRIPTION	APPROVER
		<i>THIS IS CAD DRAWING, DO NOT REVISE MANUALLY!!!</i>	



- Material:
- Housing: PBT Glass Filled (UL 94V-0)
 - Color: Black
 - Spring Wire: 0.45mm Diameter Phosphor Bronze Gold Plating over Nickel
 - Temp. Range: -25°C/+90°C
 - Durability: 500 Mating cycles Min.
 - Soldering Temp: 245 Deg C for 5 seconds

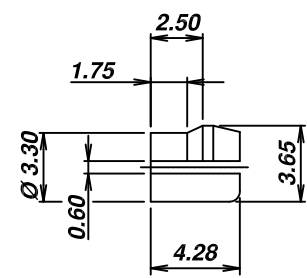
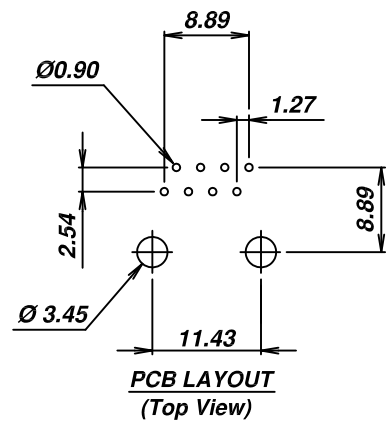


- Electrical:
- Current rating: 1.5A Max.
 - Voltage rating: 120V AC
 - Insulation Resistance: 500 MΩ Min.
 - Contact Resistance: 20mΩ Max.
 - Dielectric Voltage: 1,000 Vrms for 60 sec. min.

● Part Number
PJ012-8P8CX

Gold plating	1=6u" 2=15u" 3=30u" 4=50u"
--------------	----------------------------

RoHS Compliant



THESE DRAWINGS AND SPECIFICATIONS ARE THE PROPERTY OF ON-SHORE TECHNOLOGY, INC. AND SHALL NOT BE REPRODUCED, COPIED OR USED IN ANY MANNER WITHOUT THE PRIOR WRITTEN CONSENT OF ON-SHORE TECHNOLOGY, INC.



TITLE		PJ012, 8 pos, 8 cont, top entry, thru hole			
PART NO.		PJ012-8P8CX		DWG NO.	PJ012-8P8CX.DWG
APPROVED	CHECKED	DESIGNED	DRAWN	CUST NO.	Tolerance
Billy 2006.02.07	Johnn 2006.02.07	Tony 2006.02.07	Steven 2006.02.07		X.XX ±0.025 X.XXX ±0.13 X.XXXX ±0.05
				UNIT: mm	
				SCALE: NONE	
				REV: A	
				SHEET: 01/01	