



Chipsmall Limited consists of a professional team with an average of over 10 year of expertise in the distribution of electronic components. Based in Hongkong, we have already established firm and mutual-benefit business relationships with customers from,Europe,America and south Asia,supplying obsolete and hard-to-find components to meet their specific needs.

With the principle of “Quality Parts,Customers Priority,Honest Operation,and Considerate Service”,our business mainly focus on the distribution of electronic components. Line cards we deal with include Microchip,ALPS,ROHM,Xilinx,Pulse,ON,Everlight and Freescale. Main products comprise IC,Modules,Potentiometer,IC Socket,Relay,Connector.Our parts cover such applications as commercial,industrial, and automotives areas.

We are looking forward to setting up business relationship with you and hope to provide you with the best service and solution. Let us make a better world for our industry!



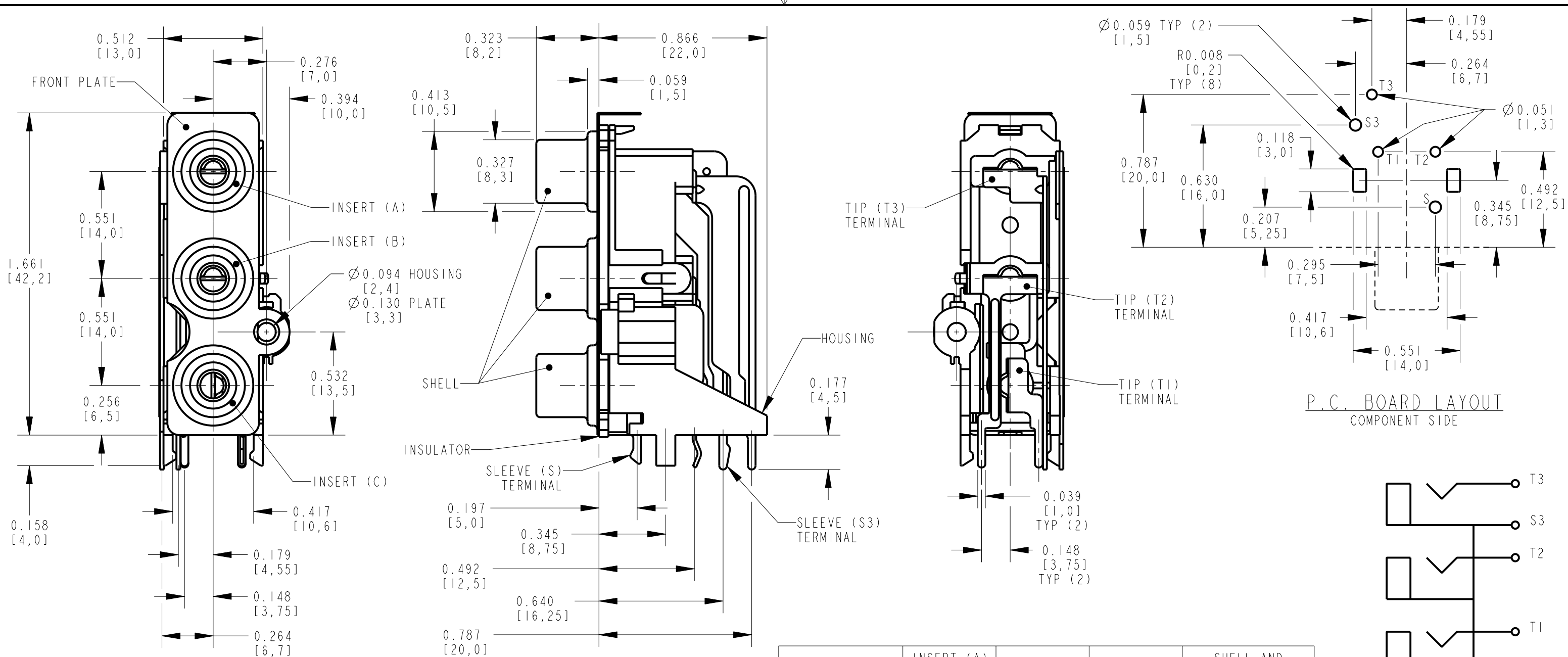
## Contact us

Tel: +86-755-8981 8866 Fax: +86-755-8427 6832

Email & Skype: info@chipsmall.com Web: www.chipsmall.com

Address: A1208, Overseas Decoration Building, #122 Zhenhua RD., Futian, Shenzhen, China





- NOTES:**
- ALL DIMENSIONS ARE REFERENCE.
  - MATERIALS:  
 HOUSING: ABS, UL-94HB  
 COLOR INSERT: ABS, UL-94HB  
 INSULATOR: ABS, UL-94HB  
 SHELL & SLEEVE TERMINALS: COPPER ALLOY, NICKEL OR GOLD PLATED  
 TIP TERMINALS: COPPER ALLOY, TIN PLATED  
 FRONT PLATE: COPPER ALLOY, NICKEL PLATED
  - THIS PART IS RoHS COMPLIANT

PART NUMBER	INSERT (A) AND HOUSING COLOR	INSERT (B) COLOR	INSERT (C)	SHELL AND SLEEVE TERMINAL FINISH
PJRASIX3S01X	RED	WHITE	YELLOW	NICKEL PLATED
PJRASIX3S01AUX	RED	WHITE	YELLOW	GOLD PLATED
PJRASIX3S02X	GREEN	BLUE	RED	NICKEL PLATED
PJRASIX3S02AUX	GREEN	BLUE	RED	GOLD PLATED

CUSTOMER DRAWING

REV	ECO NUMBER	DATE	BY	APVD
A	25181	1-13-06	JL	TJK

REVISIONS

★ STAR SYMBOL DENOTES CRITICAL DIMENSION

UNLESS OTHERWISE SPECIFIED

- ALL DIMENSIONS IN INCHES  
 - TWO PLACE DECIMALS ±0.01  
 - THREE PLACE DECIMALS ±0.005  
 - ANGLES ±  
 - ALL DIA. CONCENTRIC WITHIN 0.005 T.I.R.
- FEATURES ON THE SAME CENTERLINE MUST BE ALIGNED WITHIN ±0.002
- REMOVE ALL BURRS

DO NOT SCALE DRAWING

THIS DRAWING DESCRIBES A DESIGN CONSIDERED PROPRIETARY IN NATURE, DEVELOPED AND MANUFACTURED BY SWITCHCRAFT INC. AND IS RELEASED ON A CONFIDENTIAL BASIS FOR IDENTIFICATION PURPOSES ONLY.

SIZE	WIDTH	MULT	LBS/M	TEMPER
FINISH		MATERIAL		
SPEC No.		SPEC No.		
FIRST USED ON		SCALE		
		2:1		
DATE DRAWN	BY	CHKD	APVD	
13-Jan-06	JL	TJK	TJK	
		1-13-06	1-13-06	
NAME		PART No.		REV
PHONO JACK, RIGHT ANGLE, 3 POS. SCREW MOUNT, SHIELDED, RoHS		PJRASIX3S_-X SERIES		A

**Switchcraft**  
SHEET 1 OF 1