



Chipsmall Limited consists of a professional team with an average of over 10 year of expertise in the distribution of electronic components. Based in Hongkong, we have already established firm and mutual-benefit business relationships with customers from,Europe,America and south Asia,supplying obsolete and hard-to-find components to meet their specific needs.

With the principle of “Quality Parts,Customers Priority,Honest Operation,and Considerate Service”,our business mainly focus on the distribution of electronic components. Line cards we deal with include Microchip,ALPS,ROHM,Xilinx,Pulse,ON,Everlight and Freescale. Main products comprise IC,Modules,Potentiometer,IC Socket,Relay,Connector.Our parts cover such applications as commercial,industrial, and automotives areas.

We are looking forward to setting up business relationship with you and hope to provide you with the best service and solution. Let us make a better world for our industry!



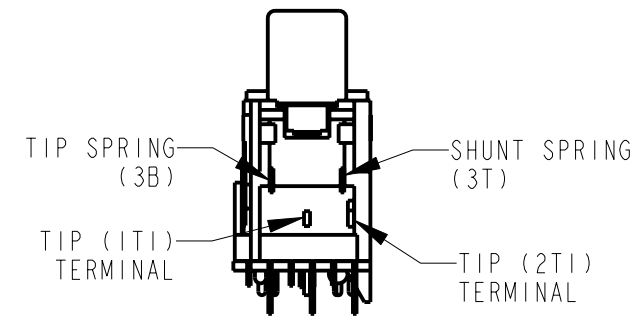
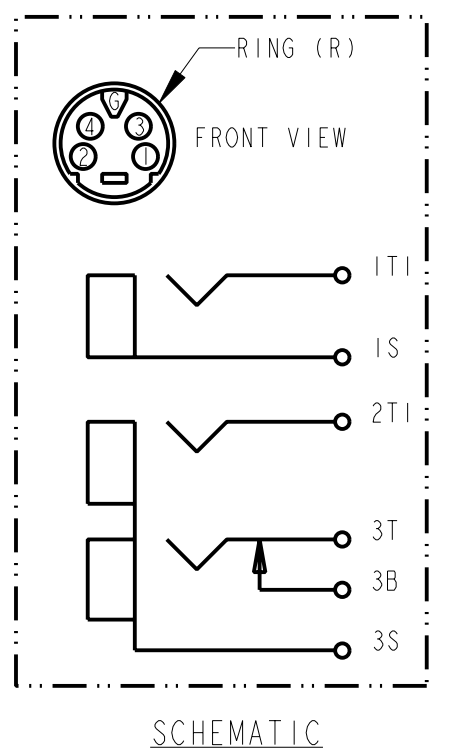
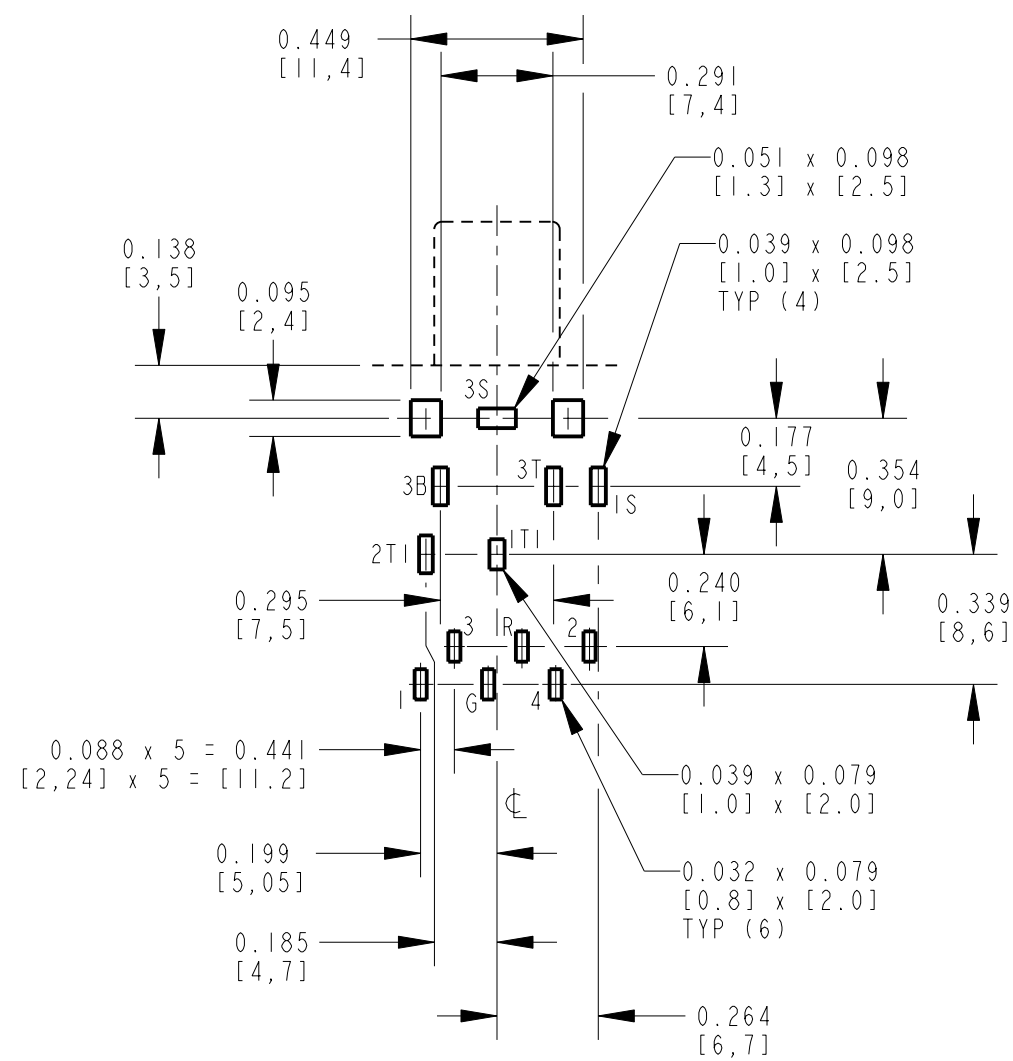
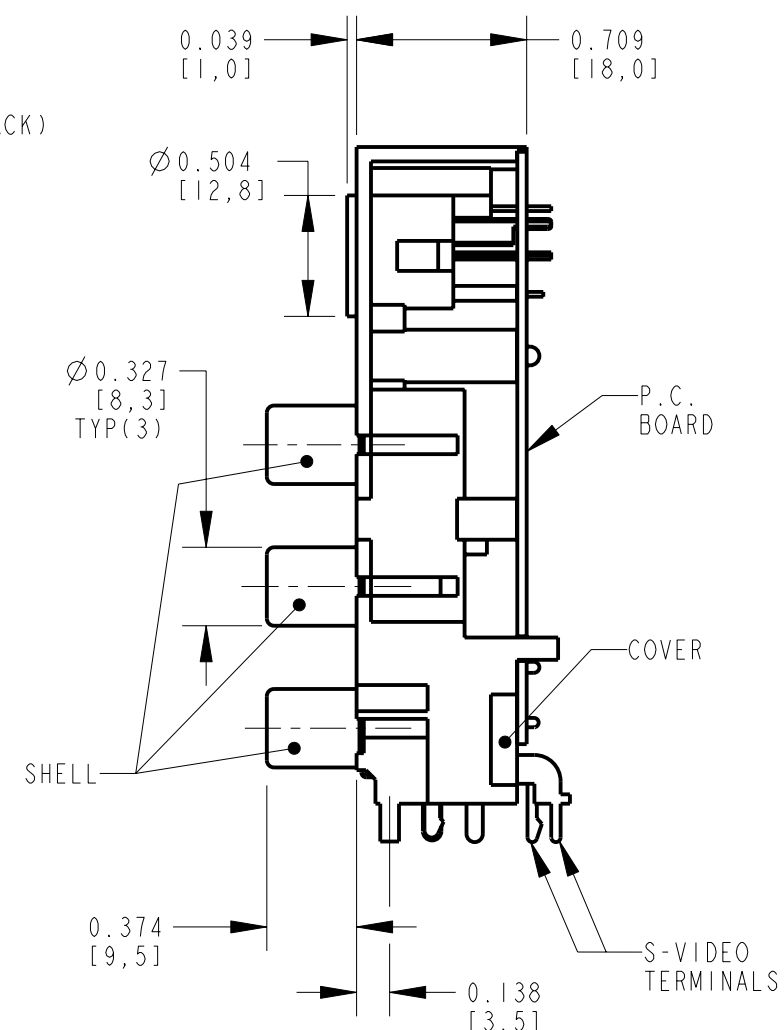
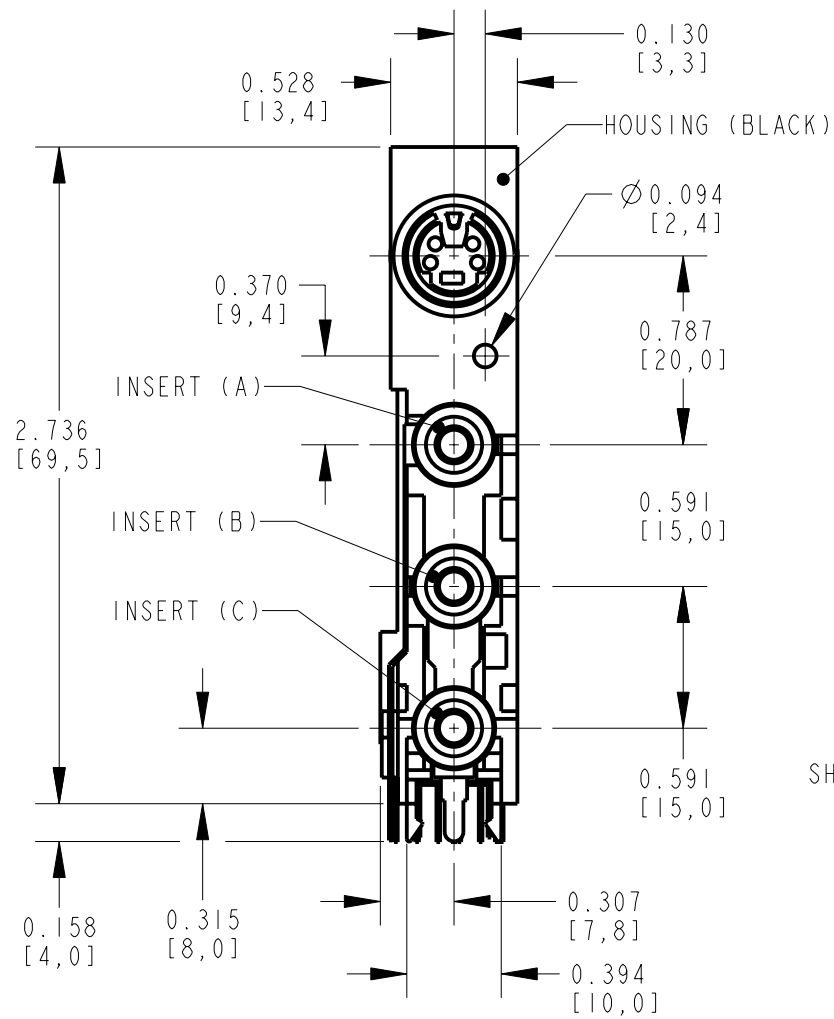
Contact us

Tel: +86-755-8981 8866 Fax: +86-755-8427 6832

Email & Skype: info@chipsmall.com Web: www.chipsmall.com

Address: A1208, Overseas Decoration Building, #122 Zhenhua RD., Futian, Shenzhen, China





NOTES:

- ALL DIMENSIONS ARE REFERENCE.
- MATERIALS:
 HOUSING & COVER: ABS, UL-94VO, BLACK
 COLOR INSERT: ABS, UL-94HB
 P.C. BOARD: UL-94VO
 SHELL & SLEEVE TERMINALS: COPPER ALLOY, NICKEL OR GOLD PLATED
 TIP & S-VIDEO TERMINALS: COPPER ALLOY, TIN PLATED
- THIS PART IS RoHS COMPLIANT

PART NUMBER	INSERT (A) COLOR	INSERT (B) COLOR	INSERT (C) COLOR	SHELL AND SLEEVE TERMINAL FINISH
PJRSIX3U0IX	YELLOW	WHITE	RED	NICKEL PLATED
PJRSIX3U0IAUX	YELLOW	WHITE	RED	GOLD PLATED

CUSTOMER DRAWING

★ STAR SYMBOL DENOTES CRITICAL DIMENSION UNLESS OTHERWISE SPECIFIED 1. ALL DIMENSIONS IN INCHES - TWO PLACE DECIMALS ±0.01 - THREE PLACE DECIMALS ±0.005 - ANGLES ±1° - ALL DIA. CONCENTRIC WITHIN 0.005 T.I.R. 2. FEATURES ON THE SAME CENTERLINE MUST BE ALIGNED WITHIN ±0.002 3. REMOVE ALL BURRS DO NOT SCALE DRAWING					THIS DRAWING DESCRIBES A DESIGN CONSIDERED PROPRIETARY IN NATURE, DEVELOPED AND MANUFACTURED BY SWITCHCRAFT INC. AND IS RELEASED ON A CONFIDENTIAL BASIS FOR IDENTIFICATION PURPOSES ONLY.				
					SIZE	WIDTH	MULT	LBS/M	TEMPER
FINISH			MATERIAL						
SPEC No.			SPEC No.						
FIRST USED ON		SCALE			SHEET OF PART No. PJRSIX3U0IX PJRSIX3U0IAUX				
DATE DRAWN	BY	CHKD	APVD						
13-Jan-06	JL	TJK	TJK						
NAME					REV				
PHONO JACK - RA 3 POS. VERT. UNSHIELDED W/S-VIDEO, RoHS					A				
REVISIONS									
REV	ECO NUMBER	DATE	BY	APVD					
A	25181	1-13-06	JL	TJK					