



Chipsmall Limited consists of a professional team with an average of over 10 year of expertise in the distribution of electronic components. Based in Hongkong, we have already established firm and mutual-benefit business relationships with customers from,Europe,America and south Asia,supplying obsolete and hard-to-find components to meet their specific needs.

With the principle of “Quality Parts,Customers Priority,Honest Operation,and Considerate Service”,our business mainly focus on the distribution of electronic components. Line cards we deal with include Microchip,ALPS,ROHM,Xilinx,Pulse,ON,Everlight and Freescale. Main products comprise IC,Modules,Potentiometer,IC Socket,Relay,Connector.Our parts cover such applications as commercial,industrial, and automotives areas.

We are looking forward to setting up business relationship with you and hope to provide you with the best service and solution. Let us make a better world for our industry!



Contact us

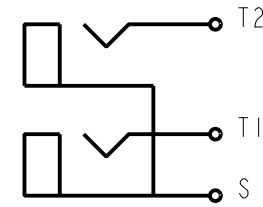
Tel: +86-755-8981 8866 Fax: +86-755-8427 6832

Email & Skype: info@chipsmall.com Web: www.chipsmall.com

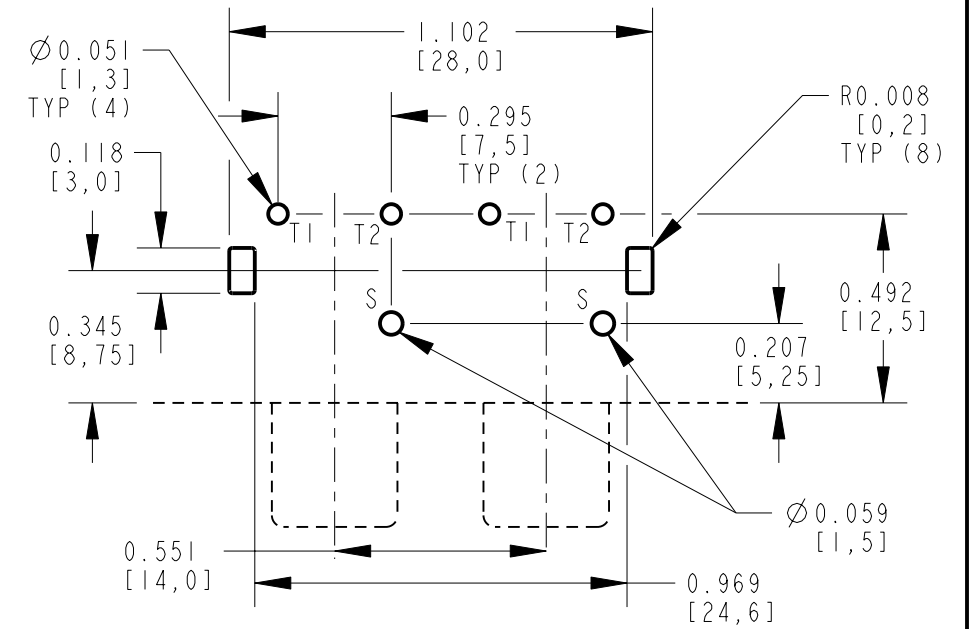
Address: A1208, Overseas Decoration Building, #122 Zhenhua RD., Futian, Shenzhen, China



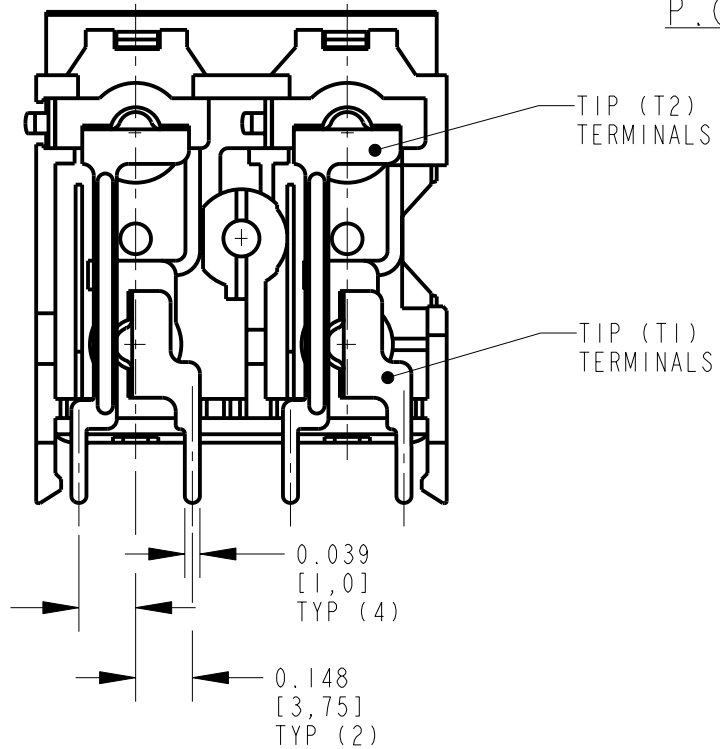
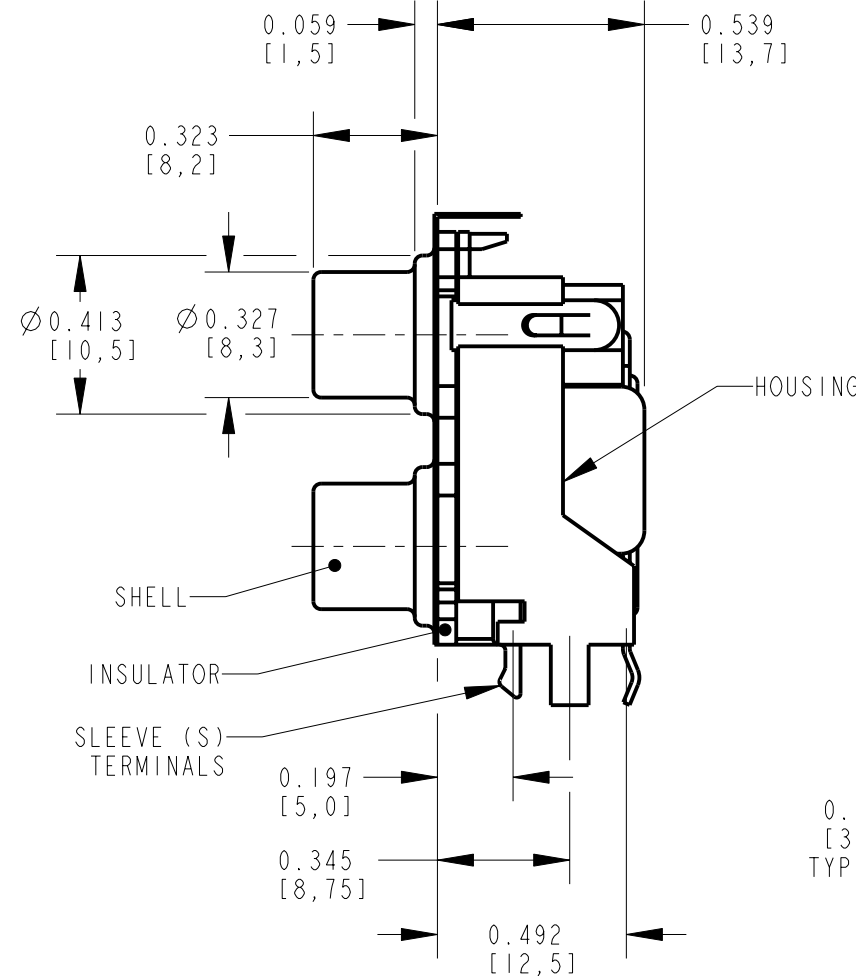
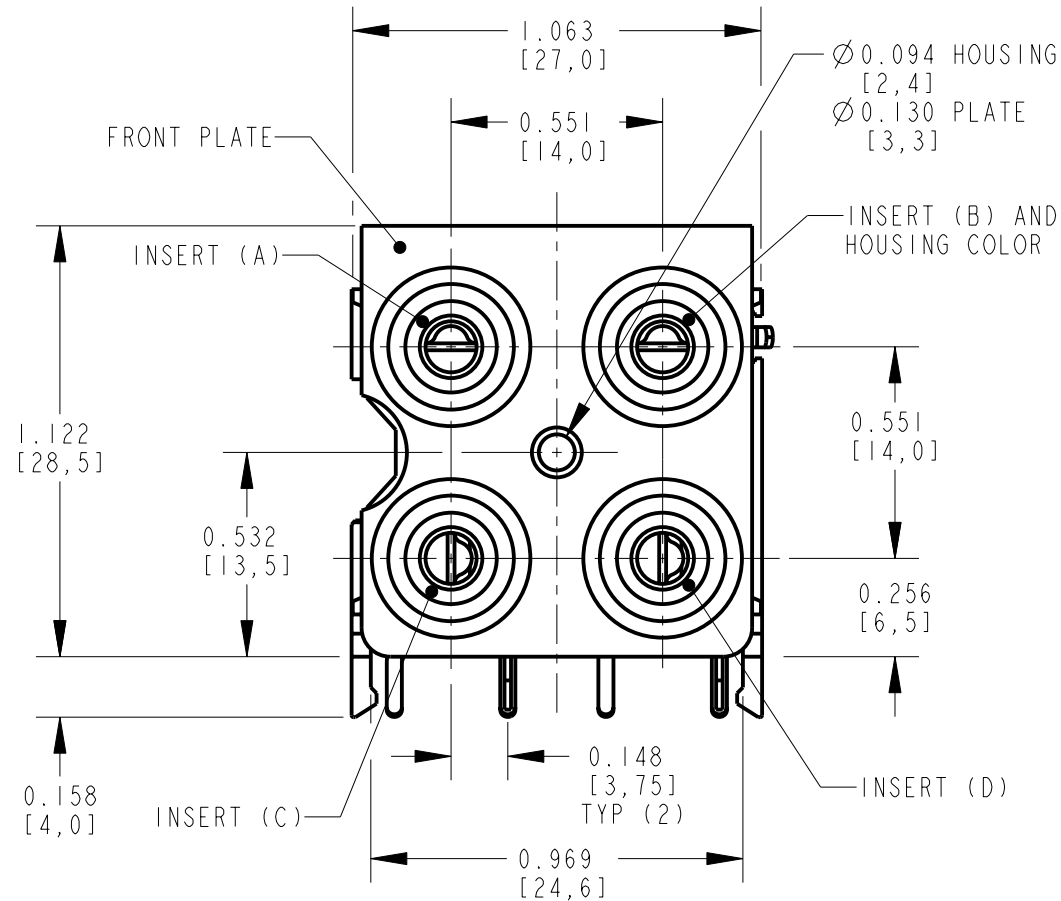
PART NUMBER	INSERT COLOR	INSERT COLOR	SHELL AND SLEEVE TERMINAL FINISH	TIP TERMINAL FINISH	FRONT PLATE FINISH
	A	B			
PJRAS2X2S01X	WHITE	WHITE	NICKEL PLATED	TIN PLATED	NICKEL PLATED
	RED	RED			
PJRAS2X2S01AUX	WHITE	WHITE	GOLD PLATED	TIN PLATED	NICKEL PLATED
	RED	RED			
PJRAS2X2S01AUALLX	WHITE	WHITE	GOLD PLATED	GOLD PLATED	GOLD PLATED
	RED	RED			



SCHEMATIC
TYP (2) JACKS



P.C. BOARD LAYOUT
COMPONENT SIDE



NOTES:

- ALL DIMENSIONS ARE REFERENCE.
- MATERIALS:
HOUSING: ABS, UL-94HB
COLOR INSERT: ABS, UL-94HB
INSULATOR: ABS, UL-94HB
SHELL & SLEEVE TERMINALS: COPPER ALLOY, SEE TABLE
TIP TERMINALS: COPPER ALLOY, SEE TABLE
FRONT PLATE: COPPER ALLOY, SEE TABLE
- THIS PART IS RoHS COMPLIANT

CUSTOMER DRAWING

					★ STAR SYMBOL DENOTES CRITICAL DIMENSION	THIS DRAWING DESCRIBES A DESIGN CONSIDERED PROPRIETARY IN NATURE, DEVELOPED AND MANUFACTURED BY SWITCHCRAFT INC. AND IS RELEASED ON A CONFIDENTIAL BASIS FOR IDENTIFICATION PURPOSES ONLY.				
					UNLESS OTHERWISE SPECIFIED	SIZE	WIDTH	MULT	LBS/M	TEMPER
					1. ALL DIMENSIONS IN INCHES - TWO PLACE DECIMALS ±0.01 - THREE PLACE DECIMALS ±0.005 - ANGLES ±1° - ALL DIA. CONCENTRIC WITHIN 0.005 T.I.R.	FINISH		MATERIAL		
					2. FEATURES ON THE SAME CENTERLINE MUST BE ALIGNED WITHIN ±0.002	SPEC No.		SPEC No.		
					3. REMOVE ALL BURRS	FIRST USED ON		SCALE		Switchcraft [®]
A 25181 1-13-06 JL TJK					DATE DRAWN	BY	CHKD	APVD	2:1	
REV ECO NUMBER DATE BY APVD					13-Jan-06 JL TJK 1-13-06 1-13-06		NAME		SHEET OF	
REVISIONS					DO NOT SCALE DRAWING		PHONO JACK, RIGHT ANGLE, 4 POS SCREW MOUNT, SHIELDED, RoHS		PART No. PJRAS2X2S_-X SERIES	
									REV A	