



Chipsmall Limited consists of a professional team with an average of over 10 year of expertise in the distribution of electronic components. Based in Hongkong, we have already established firm and mutual-benefit business relationships with customers from,Europe,America and south Asia,supplying obsolete and hard-to-find components to meet their specific needs.

With the principle of "Quality Parts,Customers Priority,Honest Operation,and Considerate Service",our business mainly focus on the distribution of electronic components. Line cards we deal with include Microchip,ALPS,ROHM,Xilinx,Pulse,ON,Everlight and Freescale. Main products comprise IC,Modules,Potentiometer,IC Socket,Relay,Connector.Our parts cover such applications as commercial,industrial, and automotives areas.

We are looking forward to setting up business relationship with you and hope to provide you with the best service and solution. Let us make a better world for our industry!



## Contact us

Tel: +86-755-8981 8866 Fax: +86-755-8427 6832

Email & Skype: info@chipsmall.com Web: www.chipsmall.com

Address: A1208, Overseas Decoration Building, #122 Zhenhua RD., Futian, Shenzhen, China



**NOTES:**

1. ALL DIMENSIONS ARE REFERENCE.

2. MATERIALS:

HOUSING: ABS, UL-94HB

COLOR INSERT: ABS, UL-94HB

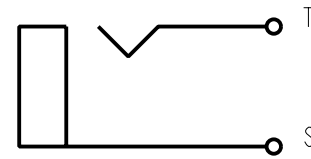
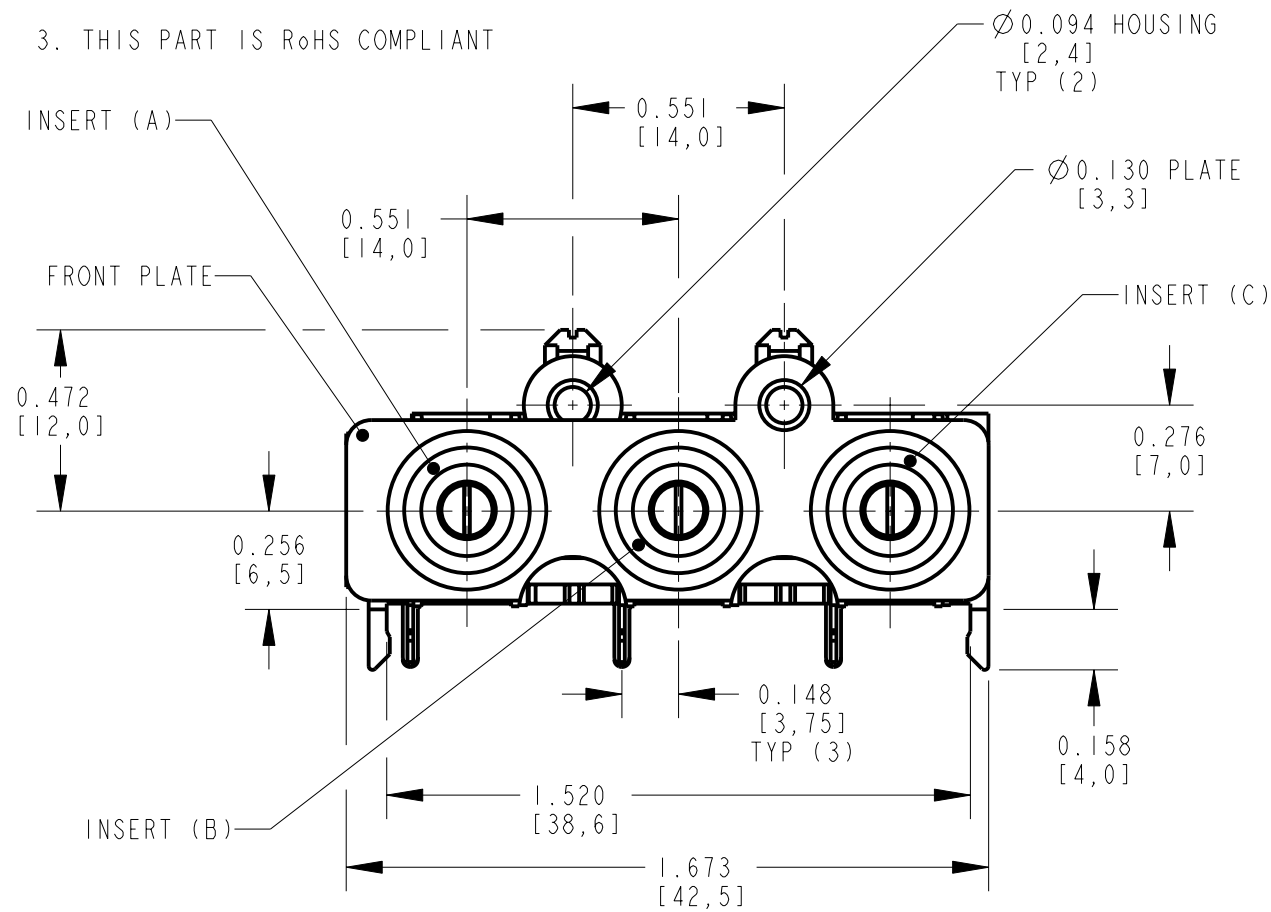
INSULATOR: ABS, UL-94HB

SHELL & SLEEVE TERMINALS: COPPER ALLOY,  
NICKEL OR GOLD PLATED

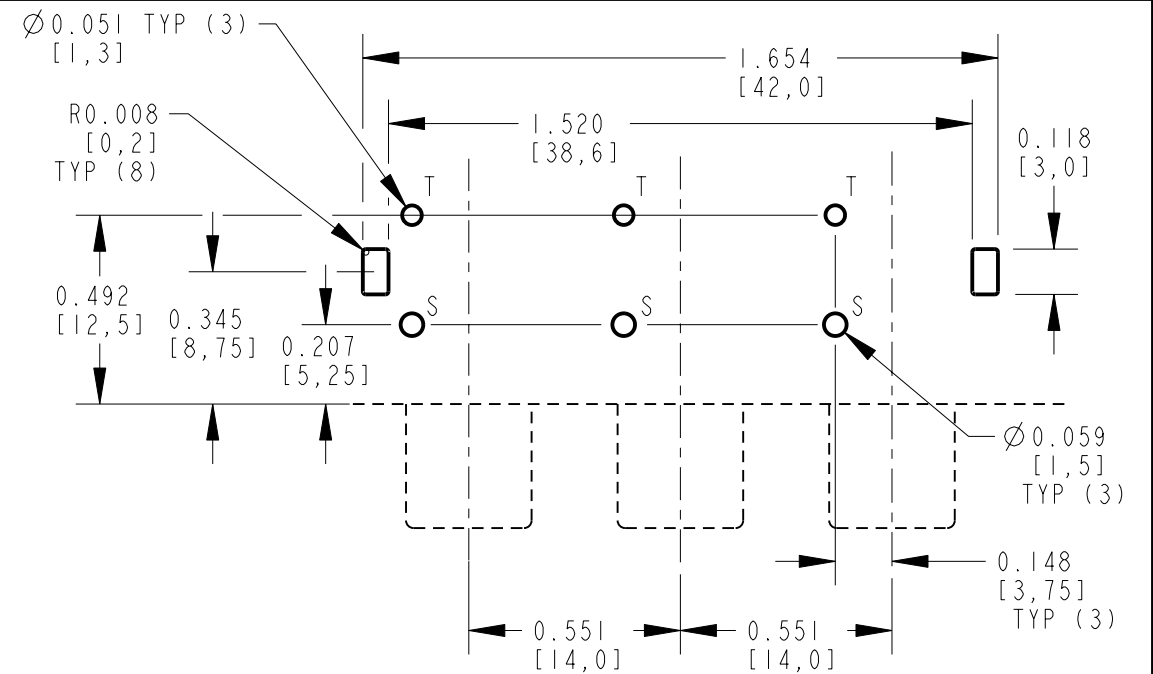
TIP TERMINALS: COPPER ALLOY, TIN PLATED

FRONT PLATE: COPPER ALLOY, NICKEL PLATED

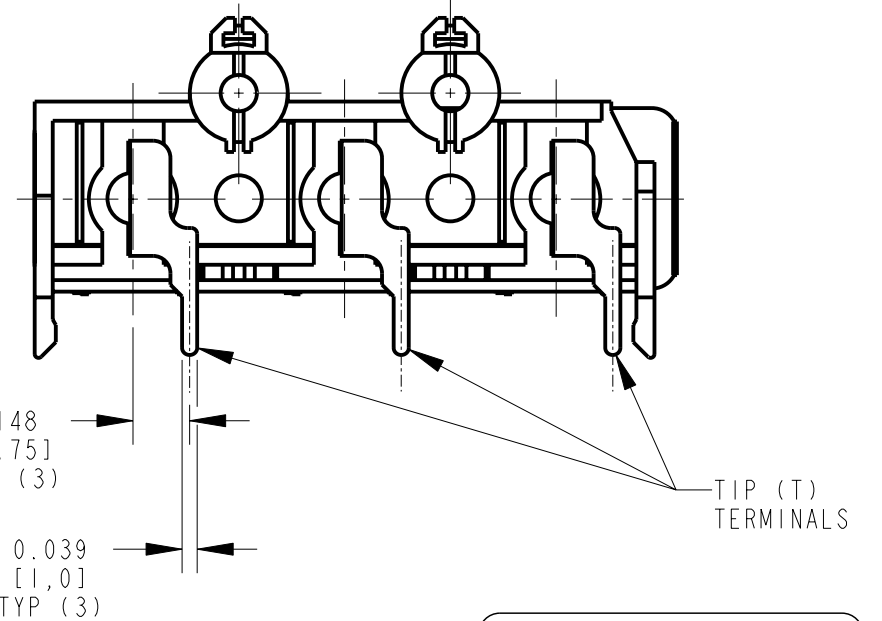
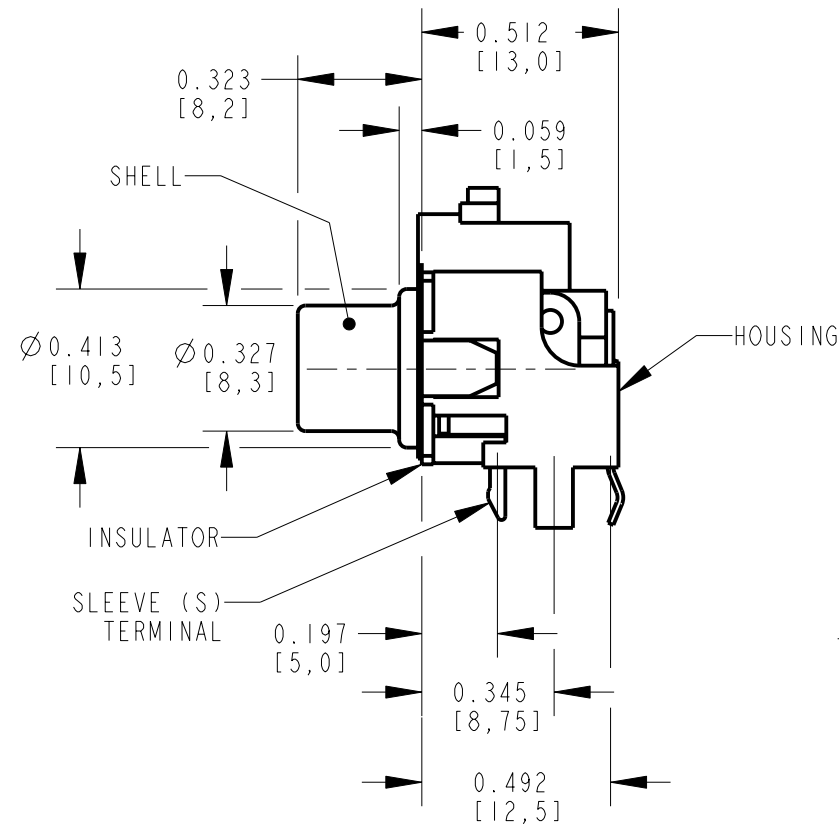
3. THIS PART IS RoHS COMPLIANT



SCHEMATIC  
TYP (3) JACKS



P.C. BOARD LAYOUT  
COMPONENT SIDE



CUSTOMER DRAWING

PART NUMBER	INSERT (A) COLOR	INSERT (B) COLOR	INSERT (C) & HOUSING COLOR	SHELL AND SLEEVE TERMINAL FINISH
PJRS3XIS01X	RED	WHITE	YELLOW	NICKEL PLATED
PJRS3XIS01AUX	RED	WHITE	YELLOW	GOLD PLATED
PJRS3XIS02X	GREEN	BLUE	RED	NICKEL PLATED
PJRS3XIS02AUX	GREEN	BLUE	RED	GOLD PLATED
PJRS3XIS03X	YELLOW	YELLOW	YELLOW	NICKEL PLATED

REV	ECO NUMBER	DATE	BY	APVD
A	25181	1-12-06	JL	TJK
REVISIONS				

★ STAR SYMBOL DENOTES CRITICAL DIMENSION

UNLESS OTHERWISE SPECIFIED

1. ALL DIMENSIONS IN INCHES  
- TWO PLACE DECIMALS ±0.01  
- THREE PLACE DECIMALS ±0.005  
- ANGLES ±1°  
- ALL DIA. CONCENTRIC WITHIN 0.005 T.I.R.

2. FEATURES ON THE SAME CENTERLINE MUST BE ALIGNED WITHIN ±0.002

3. REMOVE ALL BURRS

DO NOT SCALE DRAWING

SIZE	WIDTH	MULT	LBS/M	TEMPER
THIS DRAWING DESCRIBES A DESIGN CONSIDERED PROPRIETARY IN NATURE, DEVELOPED AND MANUFACTURED BY SWITCHCRAFT INC. AND IS RELEASED ON A CONFIDENTIAL BASIS FOR IDENTIFICATION PURPOSES ONLY.				
FINISH SPEC No.			MATERIAL SPEC No.	
FIRST USED ON		SCALE 2:1		
DATE DRAWN	BY	CHKD	APVD	
12-Jan-06	JL	TJK 1-12-06	TJK 1-12-06	
NAME PHONO JACK, RIGHT ANGLE, 3 POS. SCREW MOUNT, SHIELDED, RoHS			PART No. PJRS3XIS_-X SERIES	
SHEET 1 OF 1			REV A	