



Chipsmall Limited consists of a professional team with an average of over 10 year of expertise in the distribution of electronic components. Based in Hongkong, we have already established firm and mutual-benefit business relationships with customers from,Europe,America and south Asia,supplying obsolete and hard-to-find components to meet their specific needs.

With the principle of "Quality Parts,Customers Priority,Honest Operation,and Considerate Service",our business mainly focus on the distribution of electronic components. Line cards we deal with include Microchip,ALPS,ROHM,Xilinx,Pulse,ON,Everlight and Freescale. Main products comprise IC,Modules,Potentiometer,IC Socket,Relay,Connector.Our parts cover such applications as commercial,industrial, and automotives areas.

We are looking forward to setting up business relationship with you and hope to provide you with the best service and solution. Let us make a better world for our industry!



Contact us

Tel: +86-755-8981 8866 Fax: +86-755-8427 6832

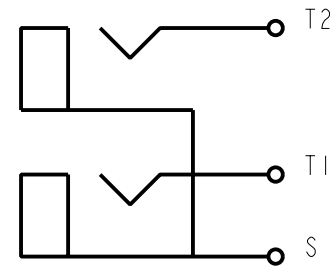
Email & Skype: info@chipsmall.com Web: www.chipsmall.com

Address: A1208, Overseas Decoration Building, #122 Zhenhua RD., Futian, Shenzhen, China

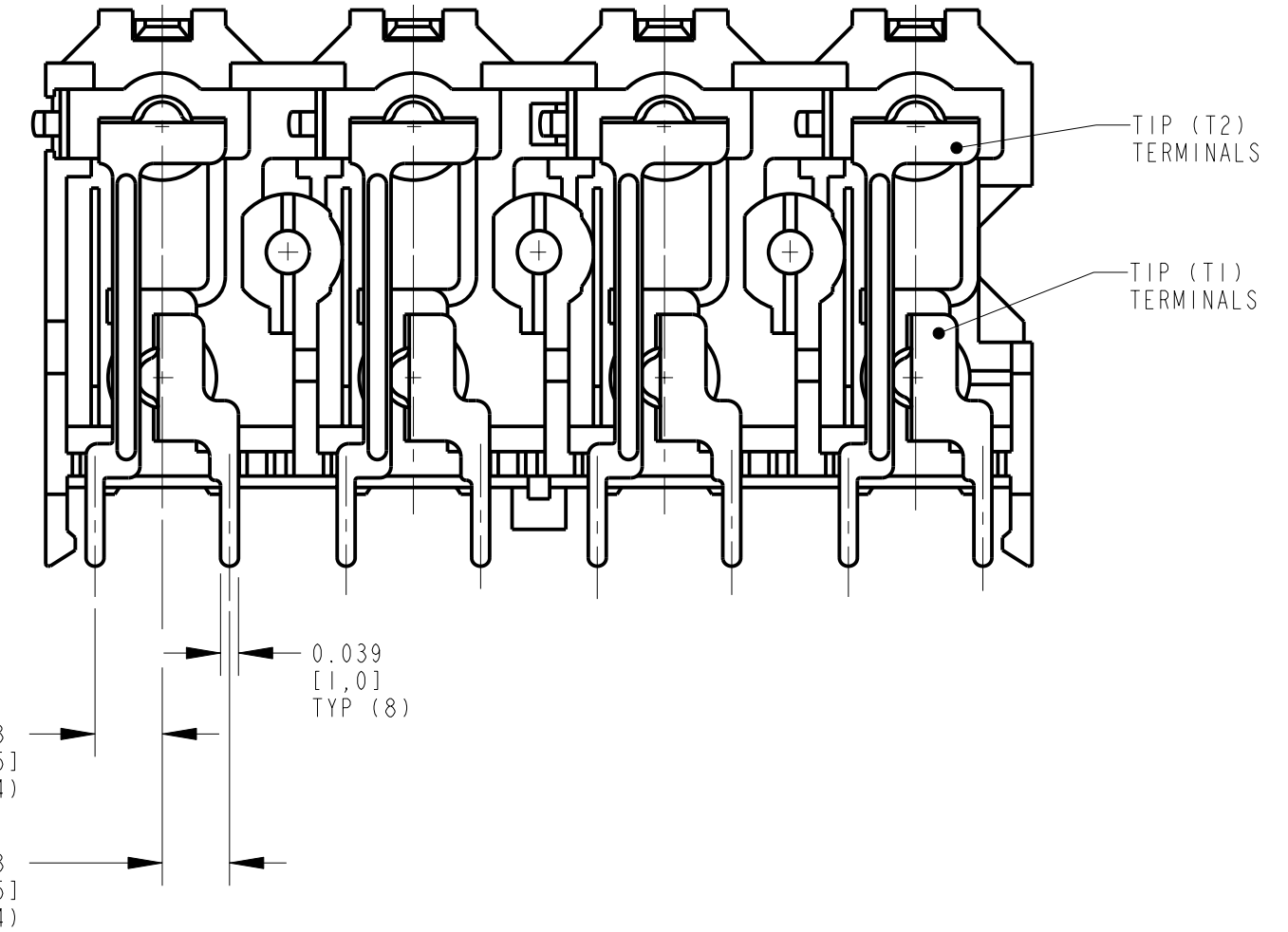
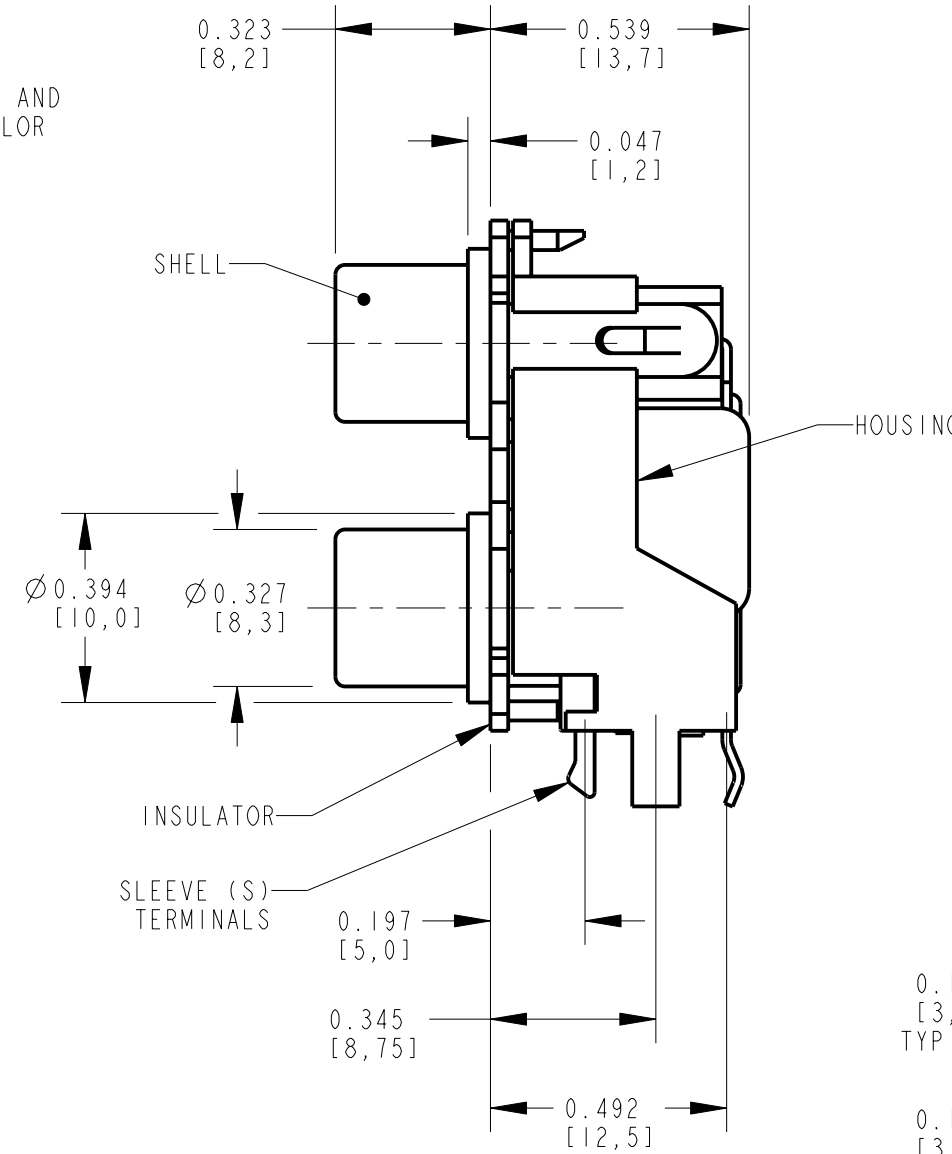
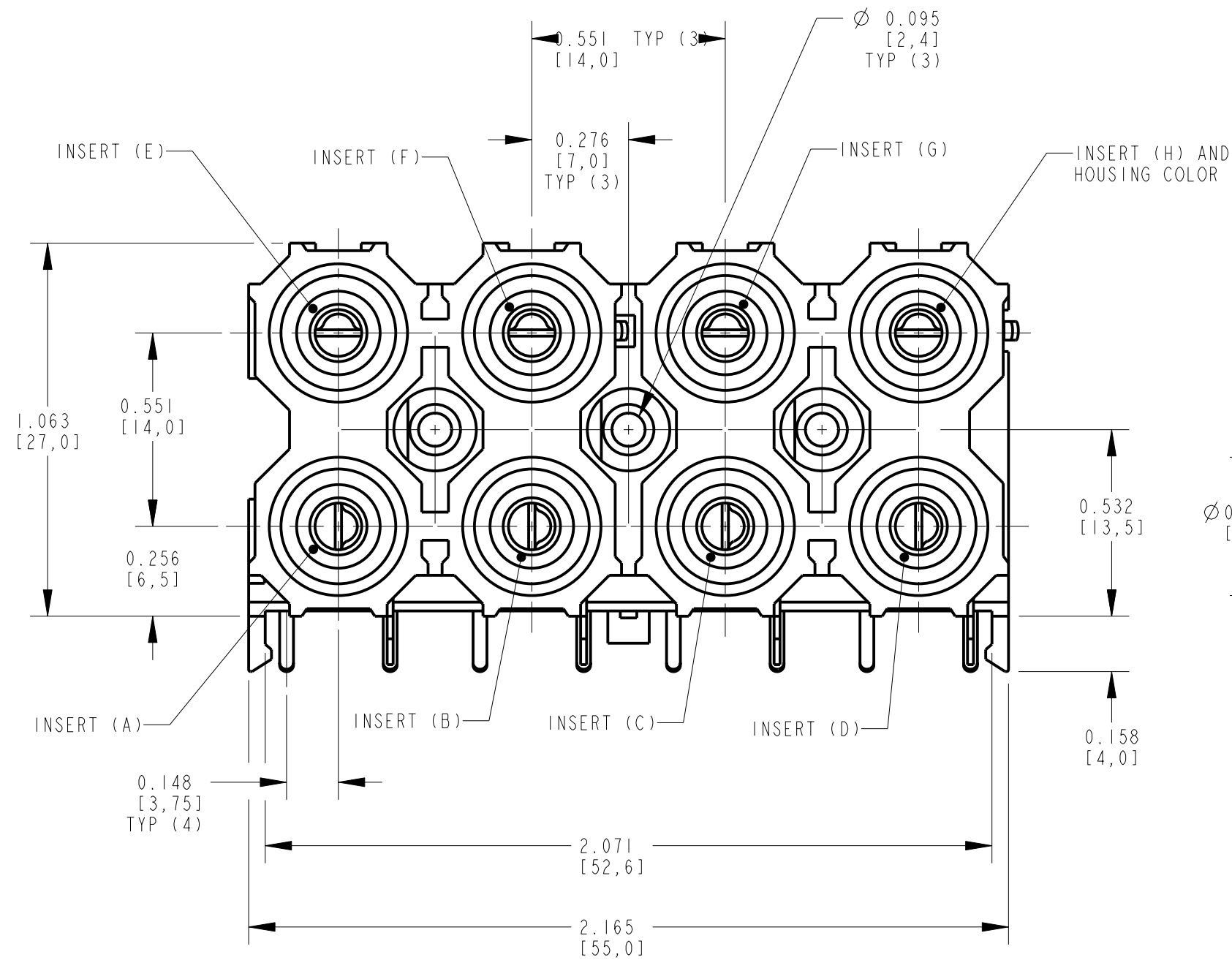
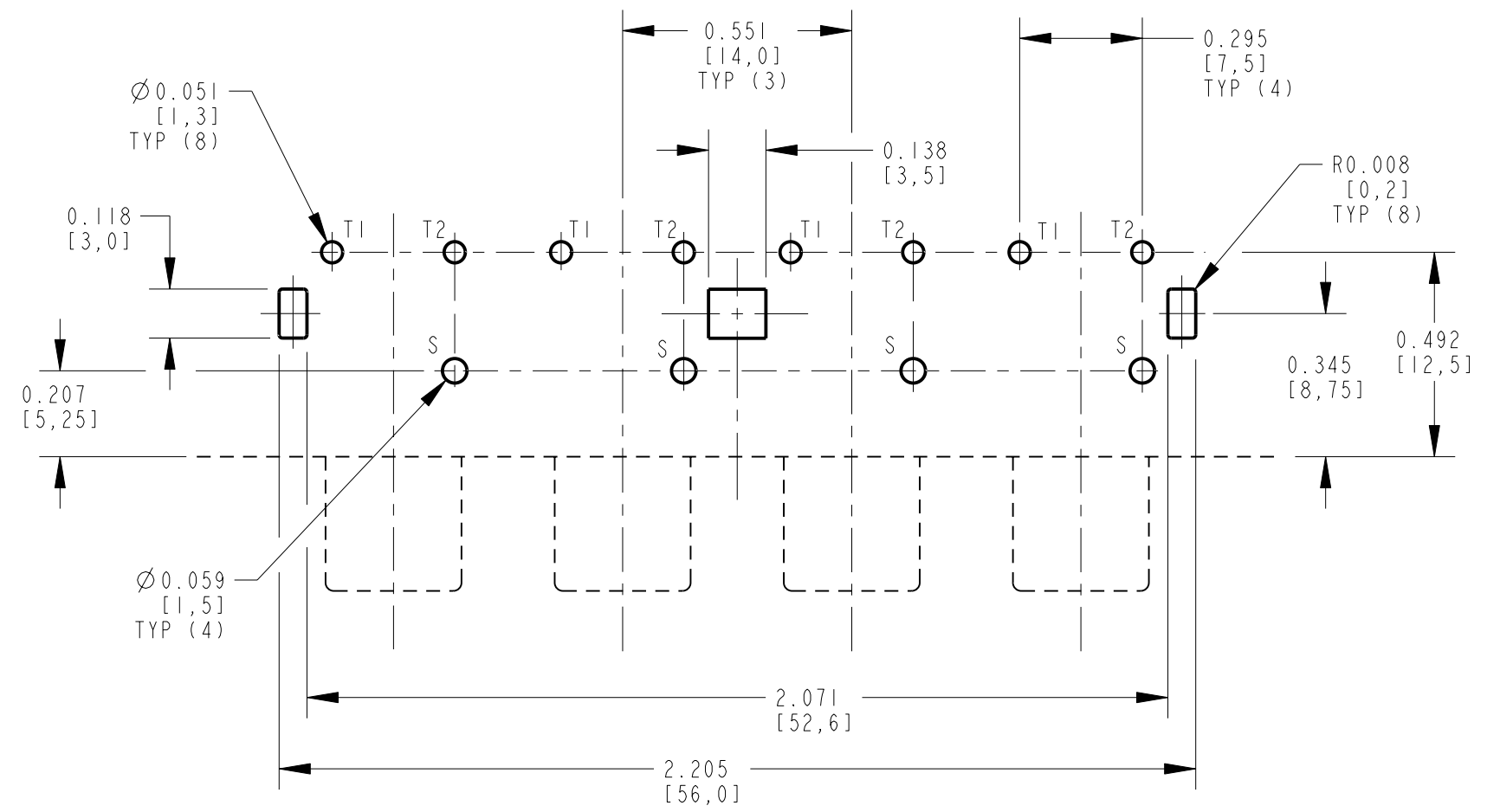


NOTES:

1. ALL DIMENSIONS ARE REFERENCE.
2. MATERIALS:
 HOUSING: ABS, UL-94HB
 COLOR INSERT: ABS, UL-94HB
 INSULATOR: ABS, UL-94HB
 SHELL & SLEEVE TERMINALS: COPPER ALLOY, NICKEL OR GOLD PLATED
 TIP TERMINALS: COPPER ALLOY, TIN PLATED
3. THIS PART IS RoHS COMPLIANT



SCHEMATIC
TYP (4) JACKS



PART NUMBER	INSERT COLOR	INSERT COLOR	INSERT COLOR	INSERT COLOR	SHELL AND SLEEVE TERMINAL FINISH
	E	F	G	H	
PJRAS4X2U01X	WHITE	WHITE	WHITE	WHITE	NICKEL PLATED
	RED	RED	RED	RED	
PJRAS4X2U01AUX	WHITE	WHITE	WHITE	WHITE	GOLD PLATED
	RED	RED	RED	RED	
PJRAS4X2U88X	GREEN	BLUE	RED	YELLOW	NICKEL PLATED
	GREEN	BLUE	RED	YELLOW	

CUSTOMER DRAWING

☆ STAR SYMBOL DENOTES CRITICAL DIMENSION UNLESS OTHERWISE SPECIFIED 1. ALL DIMENSIONS IN INCHES - TWO PLACE DECIMALS ±0.01 - THREE PLACE DECIMALS ±0.005 - ANGLES ±1° - ALL DIA. CONCENTRIC WITHIN 0.005 T.I.R. 2. FEATURES ON THE SAME CENTERLINE MUST BE ALIGNED WITHIN ±0.002 3. REMOVE ALL BURRS DO NOT SCALE DRAWING				THIS DRAWING DESCRIBES A DESIGN CONSIDERED PROPRIETARY IN NATURE, DEVELOPED AND MANUFACTURED BY SWITCHCRAFT INC. AND IS RELEASED ON A CONFIDENTIAL BASIS FOR IDENTIFICATION PURPOSES ONLY.			
SIZE	WIDTH	MULT	LBS/M	TEMPER	FINISH SPEC No.	MATERIAL SPEC No.	
FIRST USED ON			SCALE 5:2		Switchcraft®		
DATE DRAWN	BY	CHKD	APVD	SHEET OF			
12-Jan-06	JL	01-12-06	01-12-06	REV A			
NAME PHONO JACK, RIGHT ANGLE, 8 POS. SCREW MOUNT, UNSHIELDED, RoHS				PART No. PJRAS4X2U_X_SERIES			