



Chipsmall Limited consists of a professional team with an average of over 10 year of expertise in the distribution of electronic components. Based in Hongkong, we have already established firm and mutual-benefit business relationships with customers from,Europe,America and south Asia,supplying obsolete and hard-to-find components to meet their specific needs.

With the principle of "Quality Parts,Customers Priority,Honest Operation,and Considerate Service",our business mainly focus on the distribution of electronic components. Line cards we deal with include Microchip,ALPS,ROHM,Xilinx,Pulse,ON,Everlight and Freescale. Main products comprise IC,Modules,Potentiometer,IC Socket,Relay,Connector.Our parts cover such applications as commercial,industrial, and automotives areas.

We are looking forward to setting up business relationship with you and hope to provide you with the best service and solution. Let us make a better world for our industry!



## Contact us

Tel: +86-755-8981 8866 Fax: +86-755-8427 6832

Email & Skype: info@chipsmall.com Web: www.chipsmall.com

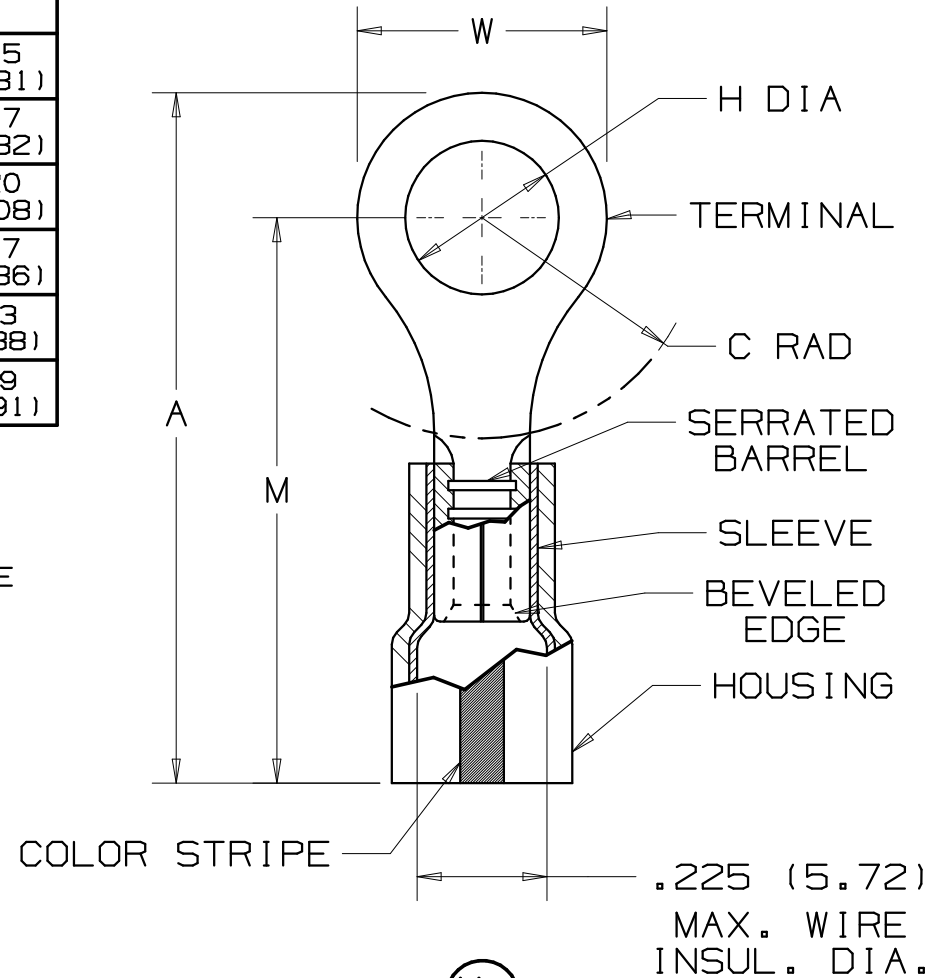
Address: A1208, Overseas Decoration Building, #122 Zhenhua RD., Futian, Shenzhen, China



PANDUIT PART NUMBER	STUD SIZE	DIMENSIONS in.				
		A ±.04	W ±.01	C ±.02	M ±.04	H ±.01
PK10-6R	#6	1.06 (26.92)	.37 (9.40)	.33 (8.38)	.87 (22.10)	.15 (3.81)
PK10-8R	#8	1.06 (26.92)	.37 (9.40)	.33 (8.38)	.87 (22.10)	.17 (4.32)
PK10-10R	#10	1.06 (26.92)	.37 (9.40)	.33 (8.38)	.87 (22.10)	.20 (5.08)
PK10-14R	1/4"	1.25 (31.75)	.52 (13.21)	.38 (9.65)	.98 (24.89)	.27 (6.86)
PK10-56R	5/16"	1.25 (31.75)	.52 (13.21)	.38 (9.65)	.98 (24.89)	.33 (8.38)
PK10-38R	3/8"	1.34 (34.04)	.58 (14.73)	.42 (10.67)	1.20 (30.48)	.39 (9.91)

NOTES:

- UL LISTED FOR:
  - A. 600V. MAX. VOLTAGE RATING
  - B. #12-10 AWG SOLID OR STRANDED COPPER WIRE
  - C. 302° F (150° C) MAX. TEMP. RATING
- MATERIAL:
  - A. STAMPING - .04" (1.02) THK COPPER,
  - B. HOUSING - KYNAR INSULATED  
COLOR STRIPE- YELLOW
  - C. SLEEVE - BRASS, TIN PLATED
- PACKAGE QTY: STD. PKG. -X =10 -L =50
- DIMENSIONS IN BRACKETS ARE IN MILLIMETERS
- INSTALLATION TOOLS:
  - A. UL LISTED: CT-460, CT-1550, CT-1551,  
CT-2400 W/CT-2455CH
  - B. PANDUIT APPROVED: CT-100, CT-160,  
A CT-260, CT-550, CT-600
- WIRE STRIP LENGTH: 9/32 <sup>+1/32</sup><sub>-0</sub> (7.1 <sup>+8</sup><sub>-0</sub>)



LISTED  
587H  
E52164

A41299\_04

04	10/06	DAW	DAW	ADDED 56R & 38R, ADDED -X PKG. QTY.	TRO0171	TRO	LCA	<p>TINLEY PARK, ILLINOIS</p> <p>#12-10 BARREL KYNAR INSULATED RING TONGUE, .225 (5.72) MAX. WIRE INSULATION DIAMETER</p>
--	----	--	--	REMOVED P/N'S PK10-56R & PK10-38R. ADDED CT-600 TO PANDUIT APPROVED TOOLS. REMOVED BULK PACKAGING FROM NOTE 3.	-----	--	--	
03	7/05	JHNU	LCA		TRO0002	TRO	LCA	
02	3/00	JAM	RLS	A WAS CT-250	08323	JM	JCJ	
REV	DATE	BY	CHK	DESCRIPTION	ECN	PM	APP	DRAWN BY EJD
								CHK'D SCALE NONE
								DRAWING NO. A41299