



Chipsmall Limited consists of a professional team with an average of over 10 year of expertise in the distribution of electronic components. Based in Hongkong, we have already established firm and mutual-benefit business relationships with customers from,Europe,America and south Asia,supplying obsolete and hard-to-find components to meet their specific needs.

With the principle of "Quality Parts,Customers Priority,Honest Operation,and Considerate Service",our business mainly focus on the distribution of electronic components. Line cards we deal with include Microchip,ALPS,ROHM,Xilinx,Pulse,ON,Everlight and Freescale. Main products comprise IC,Modules,Potentiometer,IC Socket,Relay,Connector.Our parts cover such applications as commercial,industrial, and automotives areas.

We are looking forward to setting up business relationship with you and hope to provide you with the best service and solution. Let us make a better world for our industry!



Contact us

Tel: +86-755-8981 8866 Fax: +86-755-8427 6832

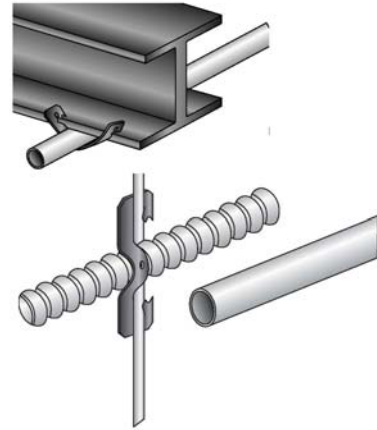
Email & Skype: info@chipsmall.com Web: www.chipsmall.com

Address: A1208, Overseas Decoration Building, #122 Zhenhua RD., Futian, Shenzhen, China



Part Number: PK16

Product Description: CONDUIT CLIP TO SUPPORT 1" CONDUIT FROM DROP WIRE OR FLANGE



Material Specifications

Type: High Carbon Steel, Spring Tempered

Finish: Zinc Phosphate and Oil

Color: Black

Function Specifications

Compatible Wires and Cables

AC/MC CABLE (OD): See current catalog for installation configurations

Drop Wire: See current catalog for installation configurations

Plain Rod (in): 1/4

Threaded Rods and Bolts

Tapped Holes:

Clearance Holes (in):

Threaded Rod Size (in):

Compatible Conduit

EMT Size (in): 1

Rigid/IMC (in): 3/4

Compatible Flanges and Studs

Flange Size (in): Up to 1/4

Metal Stud Size (ins):

Static Load Rating

Vertical (lbs): Positioning Only

Horizontal (lbs): Positioning Only

Other

Codes and Regulatory

Regulatory Certifications: -

Country of Origin: US

Packaging

General Packaging: Cardboard Box

Box Size: 8.25 X 6.25 X 6

Pieces per Package: 100

Other Box Features:

Document Information

Created By: DBLA

Checked By: DJW

Approved By: KLN

Customer Specification #: C11222

Revision Level: 01

ECN #: GAECN01482

Date: 12/10/2013