



Chipsmall Limited consists of a professional team with an average of over 10 year of expertise in the distribution of electronic components. Based in Hongkong, we have already established firm and mutual-benefit business relationships with customers from,Europe,America and south Asia,supplying obsolete and hard-to-find components to meet their specific needs.

With the principle of “Quality Parts,Customers Priority,Honest Operation,and Considerate Service”,our business mainly focus on the distribution of electronic components. Line cards we deal with include Microchip,ALPS,ROHM,Xilinx,Pulse,ON,Everlight and Freescale. Main products comprise IC,Modules,Potentiometer,IC Socket,Relay,Connector.Our parts cover such applications as commercial,industrial, and automotives areas.

We are looking forward to setting up business relationship with you and hope to provide you with the best service and solution. Let us make a better world for our industry!



Contact us

Tel: +86-755-8981 8866 Fax: +86-755-8427 6832

Email & Skype: info@chipsmall.com Web: www.chipsmall.com

Address: A1208, Overseas Decoration Building, #122 Zhenhua RD., Futian, Shenzhen, China

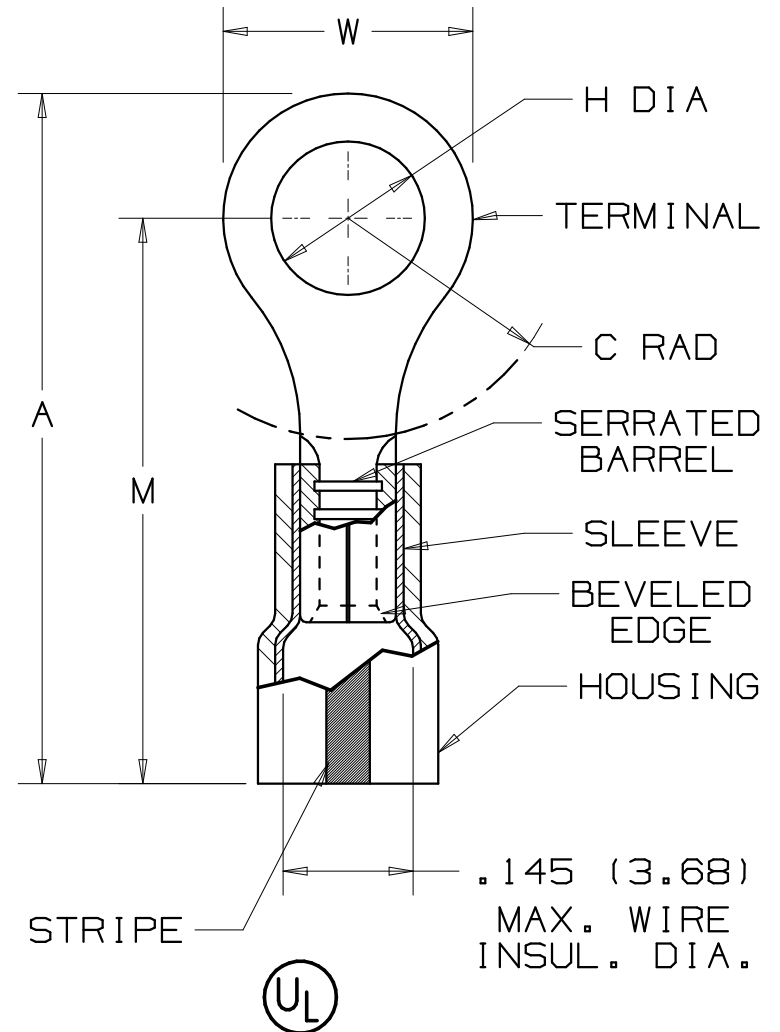


PANDUIT PART NUMBER	STUD SIZE	DIMENSIONS in.				
		A $\pm .04$	W $\pm .01$	C $\pm .02$	M $\pm .04$	H $\pm .01$
PK18-4R	#4	.80 (20.32)	.25 (6.35)	.22 (5.59)	.68 (17.27)	.12 (3.05)
PK18-6R	#6	.80 (20.32)	.25 (6.35)	.22 (5.59)	.68 (17.27)	.15 (3.81)
PK18-8R	#8	.89 (22.61)	.31 (7.87)	.29 (7.37)	.74 (18.80)	.17 (4.32)
PK18-10R	#10	.89 (22.61)	.31 (7.87)	.29 (7.37)	.74 (18.80)	.20 (5.08)
PK18-14R	1/4"	1.10 (27.94)	.46 (11.68)	.40 (10.16)	.87 (22.10)	.27 (6.86)
PK18-56R	5/16"	1.10 (27.94)	.46 (11.68)	.40 (10.16)	.87 (22.10)	.34 (8.64)
PK18-38R	3/8"	1.18 (29.97)	.53 (13.46)	.45 (11.43)	.92 (23.37)	.40 (10.16)

NOTES:

- UL LISTED FOR:
 - 600V. MAX. VOLTAGE RATING
 - #22-16 AWG SOLID OR STRANDED COPPER WIRE
 - 302°F (150°C) MAX. TEMP. RATING
- MATERIAL:
 - STAMPING - .03" (0.76) THK COPPER, TIN PLATED
 - HOUSING - KYNAR INSULATED
COLOR STRIPE - RED
 - SLEEVE - BRASS, TIN PLATED
- PACKAGE QTY: -X =10, -C =100
- DIMENSIONS IN BRACKETS ARE IN MILLIMETERS
- INSTALLATION TOOLS:
 - UL LISTED; CT-400, CT-1550, CT-1551, CT-2400 W/CT-2455CH
 - PANDUIT APPROVED: CT-100*, CT-260*,
CT-500, CT-550, CT-600

* FOR 22-18 AWG SOLID OR STRANDED COPPER WIRE
- WIRE STRIP LENGTH: $7/32" \pm 1/32$ (5.6 \pm .8)



LISTED
587H
E52164

A41297_05

PANDUIT CORP.

TINLEY PARK, ILLINOIS

#22-16 BARREL KYNAR INSULATED RING
TONGUE, .145 (3.68) MAX. WIRE
INSULATION DIAMETER

REV	DATE	BY	CHK	DESCRIPTION	ECN #	PM	CUST
05	10/06	DAW	DAW	ADDED PK1856R & PK1838R, ADDED -X PK.	TR00171	TRO	LCA
--	---	--	--	REMOVED P/N'S PK18-56R & PK18-38R. ADDED CT-600 TO PANDUIT APPROVED TOOLS. ADDED NOTE 6.	-----	--	--
04	7/05	JHNU	LCA	REMOVED BULK PACKAGING FROM NOTE 3.	TR00002	TRO	LCA
03	3/00	JAMB	RLS	UPDATED DIM IN COL. "A" & COL "M" UPDATED NOTES	08315	TRO	JCJ
02	6/97	TM	RLS	UPDATED DIMENSIONS	06026	DRH	LA
1	8-88	DW	RS	REDRAWN WITH REVISIONS		JRB	LA
REV	DATE	BY	CHK	DESCRIPTION	ECN #	PM	CUST

DRAWN BY DAW	CHK'D CH	SCALE NONE	DRAWING NO. A41297
-----------------	-------------	---------------	-----------------------