



Chipsmall Limited consists of a professional team with an average of over 10 year of expertise in the distribution of electronic components. Based in Hongkong, we have already established firm and mutual-benefit business relationships with customers from,Europe,America and south Asia,supplying obsolete and hard-to-find components to meet their specific needs.

With the principle of “Quality Parts,Customers Priority,Honest Operation,and Considerate Service”,our business mainly focus on the distribution of electronic components. Line cards we deal with include Microchip,ALPS,ROHM,Xilinx,Pulse,ON,Everlight and Freescale. Main products comprise IC,Modules,Potentiometer,IC Socket,Relay,Connector.Our parts cover such applications as commercial,industrial, and automotives areas.

We are looking forward to setting up business relationship with you and hope to provide you with the best service and solution. Let us make a better world for our industry!



Contact us

Tel: +86-755-8981 8866 Fax: +86-755-8427 6832

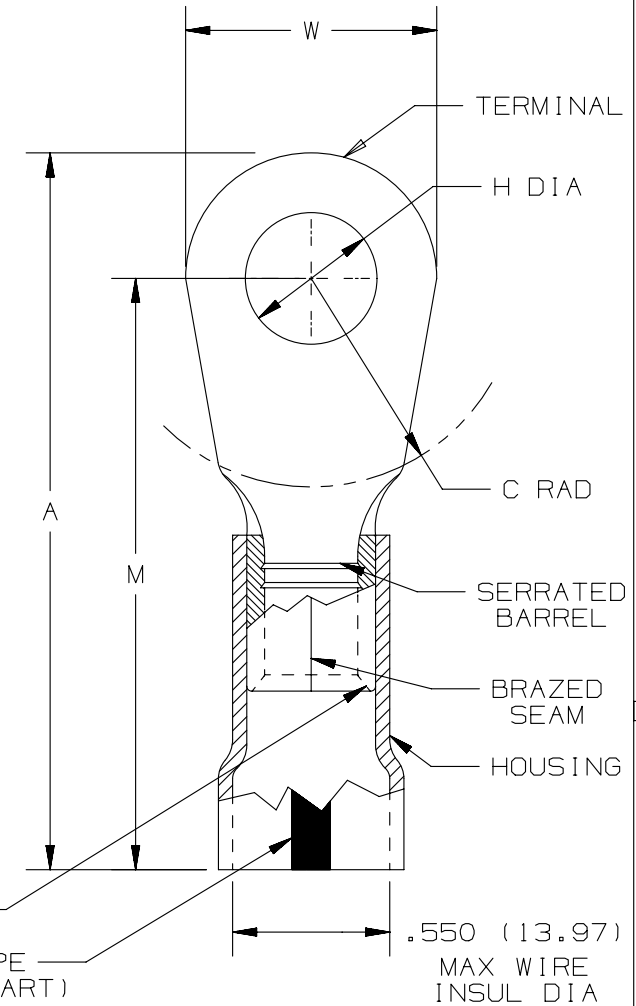
Email & Skype: info@chipsmall.com Web: www.chipsmall.com

Address: A1208, Overseas Decoration Building, #122 Zhenhua RD., Futian, Shenzhen, China



THIS COPY IS PROVIDED ON A RESTRICTED BASIS AND IS NOT TO BE USED IN ANY WAY DETRIMENTAL TO THE INTERESTS OF PANDUIT CORP.

PANDUIT PART NUMBER	STUD SIZE	DIMENSIONS - IN.					TOOL
		A±.03	W±.01	C±.02	M±.03	H±.01	
PK2-10R	#10	1.95 (49.53)	.68 (17.27)	.58 (14.73)	1.61 (40.89)	.20 (5.08)	CT-2600 WITH DIE # CD-2600-PV2
PK2-14R	1/4"	1.95 (49.53)	.68 (17.27)	.58 (14.73)	1.61 (40.89)	.27 (6.86)	
PK2-56R	5/16"	1.95 (49.53)	.68 (17.27)	.58 (14.73)	1.61 (40.89)	.33 (8.38)	
PK2-38R	3/8"	1.95 (49.53)	.68 (17.27)	.58 (14.73)	1.61 (40.89)	.39 (9.91)	
PK2-12R	1/2"	2.04 (51.82)	.86 (21.84)	.58 (14.73)	1.61 (40.89)	.52 (13.21)	



NOTES:

- RATED FOR:
 - A. #2 AWG STRANDED COPPER WIRE
- SEE www.panduit.com FOR PART NUMBER SUFFIX DESIGNATION FOR PACKAGE SIZE.
- MATERIAL:
 - A. STAMPING - .060" (1.52) THK COPPER, TIN PLATED
 - B. HOUSING - KYNAR, RED STRIPE
- DIMENSIONS IN BRACKETS ARE IN MILLIMETERS
- WIRE STRIP LENGTH: 1/2" +1/32" (12.7 +0.8) -0 -0.0



LISTED
587H
E52164

BEVELED EDGE
RED COLOR STRIPE
(3 PLCS @ 120° APART)

.550 (13.97)
MAX WIRE
INSUL DIA

TITLE #2 BARREL KYNAR INSULATED RING TONGUE .550 (13.97) MAX. WIRE INSUL. DIAMETER CUSTOMER DRAWING	
ITEM REVISION NAME N41713BA/02	PANDUIT
DATASET FILE NAME N41713BA/02	
UNLESS OTHERWISE SPECIFIED, DIMENSIONAL TOLERANCES ARE: IN (mm)	
.X ± .XX ±	.XXX ± ANGLES ±
THIRD ANGLE PROJECTION	
MATERIAL: SEE NOTES	
DRAWING NUMBER: A41713	
DRAWN BY JHNU	DATE 2/05
CHK	SCALE N/A
REV	SIZE A

REV	DATE	BY	CHK	APR	DESCRIPTION	ECN
02	5/14	JHNU	JHNU	RGB	REVISED TABLE: ADDED TOOL INFORMATION ADDED UL LOGO REVISED TITLE BLOCK	N41713BA-A41713

D10100DA/16