



Chipsmall Limited consists of a professional team with an average of over 10 year of expertise in the distribution of electronic components. Based in Hongkong, we have already established firm and mutual-benefit business relationships with customers from,Europe,America and south Asia,supplying obsolete and hard-to-find components to meet their specific needs.

With the principle of “Quality Parts,Customers Priority,Honest Operation,and Considerate Service”,our business mainly focus on the distribution of electronic components. Line cards we deal with include Microchip,ALPS,ROHM,Xilinx,Pulse,ON,Everlight and Freescale. Main products comprise IC,Modules,Potentiometer,IC Socket,Relay,Connector.Our parts cover such applications as commercial,industrial, and automotives areas.

We are looking forward to setting up business relationship with you and hope to provide you with the best service and solution. Let us make a better world for our industry!



## Contact us

Tel: +86-755-8981 8866 Fax: +86-755-8427 6832

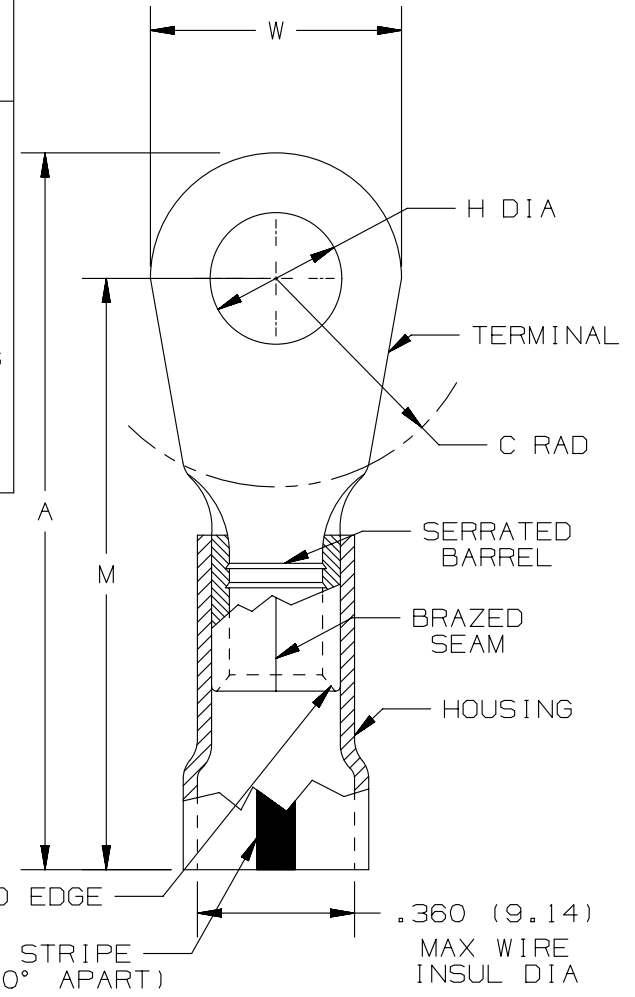
Email & Skype: info@chipsmall.com Web: www.chipsmall.com

Address: A1208, Overseas Decoration Building, #122 Zhenhua RD., Futian, Shenzhen, China



THIS COPY IS PROVIDED ON A RESTRICTED BASIS AND IS NOT TO BE USED IN ANY WAY DETRIMENTAL TO THE INTERESTS OF PANDUIT CORP.

PANDUIT PART NUMBER	STUD SIZE	DIMENSIONS - IN.					TOOL
		A±.03	W±.01	C±.02	M±.03	H±.01	
PK6-8R	#8	1.59 (40.39)	.47 (11.94)	.43 (10.92)	1.36 (34.54)	.18 (4.57)	CT-2600 WITH DIE #  CD-2600-PV6
PK6-10R	#10	1.60 (40.64)	.47 (11.94)	.43 (10.92)	1.36 (34.54)	.20 (5.08)	
PK6-14R	1/4"	1.63 (41.40)	.47 (11.94)	.48 (12.19)	1.36 (34.54)	.27 (6.86)	
PK6-56R	5/16"	1.72 (43.69)	.62 (15.75)	.53 (13.46)	1.42 (36.07)	.33 (8.38)	
PK6-38R	3/8"	1.72 (43.69)	.62 (15.75)	.51 (12.95)	1.42 (36.07)	.40 (10.16)	
PK6-12R	1/2"	1.82 (46.23)	.82 (20.83)	.51 (12.95)	1.42 (36.07)	.52 (13.21)	



NOTES:

- RATED FOR:  
A. #6 AWG STRANDED COPPER WIRE
- SEE [www.panduit.com](http://www.panduit.com) FOR PART NUMBER SUFFIX DESIGNATION FOR PACKAGE SIZE.
- MATERIAL:  
A. STAMPING - .045" (1.14) THK COPPER, TIN PLATED  
B. HOUSING - KYNAR, BLUE STRIPE
- DIMENSIONS IN BRACKETS ARE IN MILLIMETERS
- WIRE STRIP LENGTH: 7/16" +1/32" (11.1 +0.8)  
-0 -0.0



LISTED  
587H  
E52164

BLUE COLOR STRIPE  
(3 PLCS @ 120° APART)

TITLE		#6 BARREL KYNAR INSULATED RING TONGUE .360 (9.14) MAX. WIRE INSUL. DIAMETER	
CUSTOMER DRAWING			
ITEM REVISION NAME	N41715BA/04		
DATASET FILE NAME	N41715BA/04		
UNLESS OTHERWISE SPECIFIED, DIMENSIONAL TOLERANCES ARE: IN (mm)		MATERIAL:  SEE NOTES	
.X ±	.XXX ±	DRAWING NUMBER: A41715	
.XX ±	ANGLES ±	THIRD ANGLE PROJECTION	
REV	DATE	BY	CHK
JHNU	2/05	LCA	N/A
ECN	SCALE	SHT 1 OF 1	
		A	

D10100DA/16