



Chipsmall Limited consists of a professional team with an average of over 10 year of expertise in the distribution of electronic components. Based in Hongkong, we have already established firm and mutual-benefit business relationships with customers from,Europe,America and south Asia,supplying obsolete and hard-to-find components to meet their specific needs.

With the principle of “Quality Parts,Customers Priority,Honest Operation,and Considerate Service”,our business mainly focus on the distribution of electronic components. Line cards we deal with include Microchip,ALPS,ROHM,Xilinx,Pulse,ON,Everlight and Freescale. Main products comprise IC,Modules,Potentiometer,IC Socket,Relay,Connector.Our parts cover such applications as commercial,industrial, and automotives areas.

We are looking forward to setting up business relationship with you and hope to provide you with the best service and solution. Let us make a better world for our industry!



Contact us

Tel: +86-755-8981 8866 Fax: +86-755-8427 6832

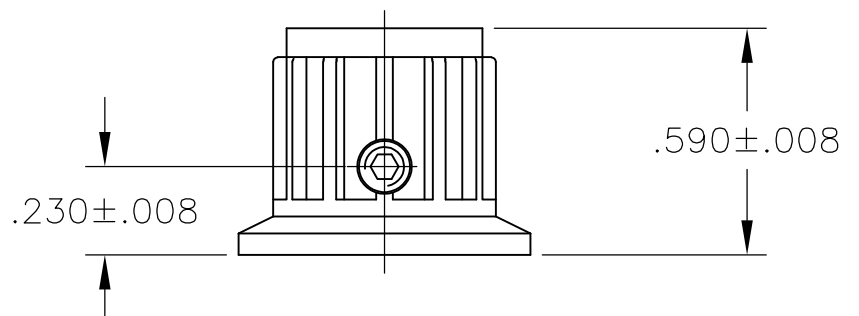
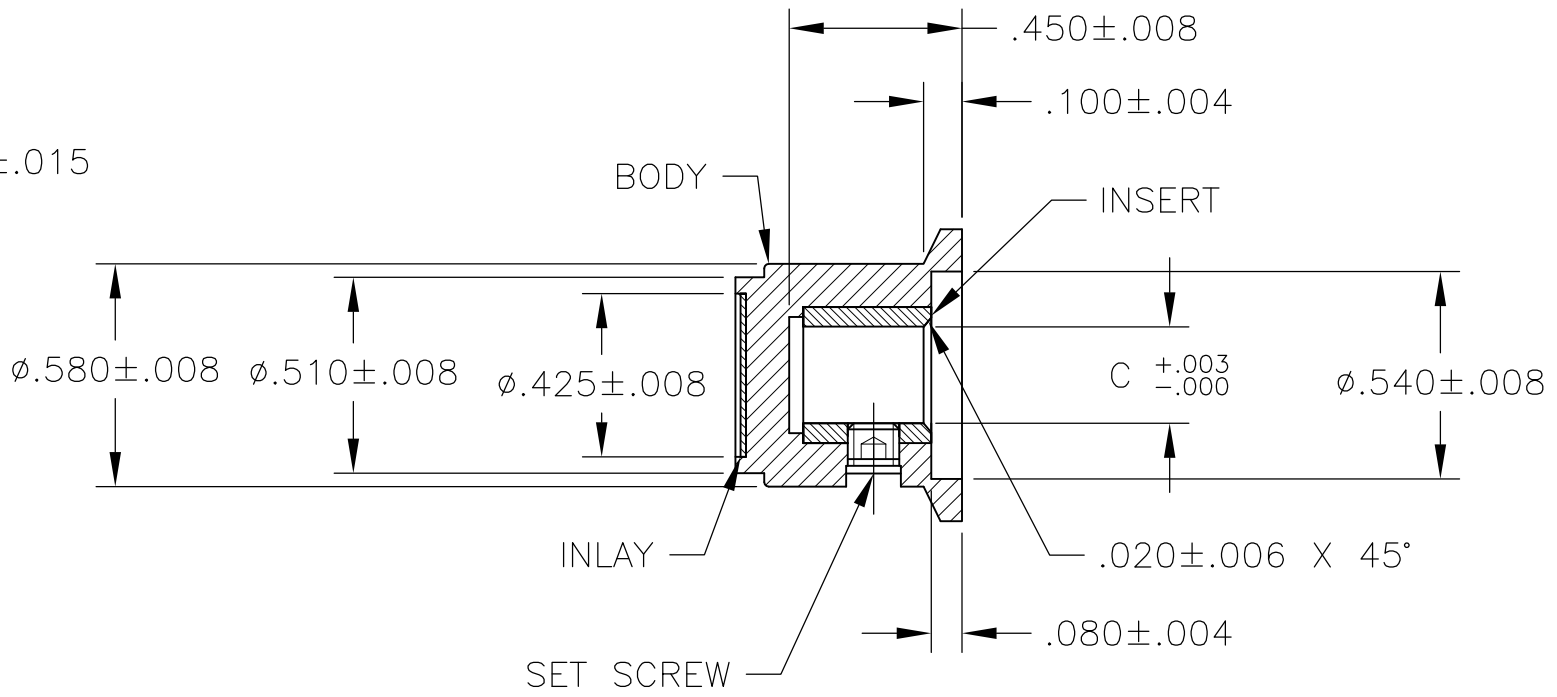
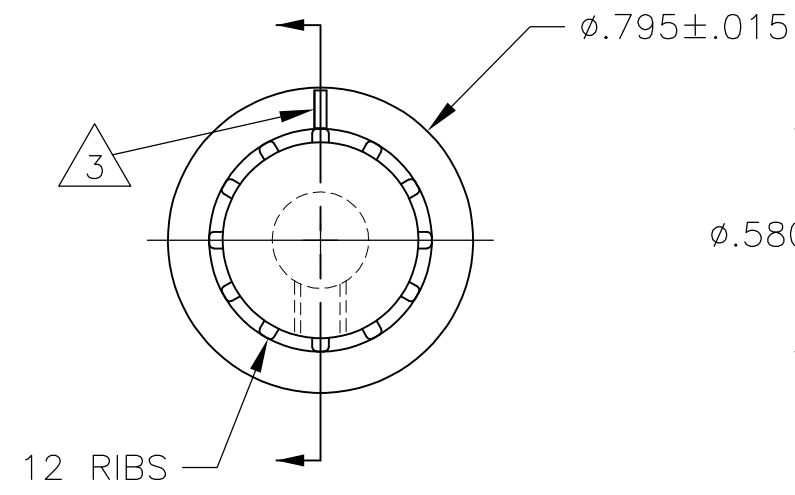
Email & Skype: info@chipsmall.com Web: www.chipsmall.com

Address: A1208, Overseas Decoration Building, #122 Zhenhua RD., Futian, Shenzhen, China



THIS DRAWING IS UNPUBLISHED. RELEASED FOR PUBLICATION
 © COPYRIGHT - By - ALL RIGHTS RESERVED.

LOC	DIST	REVISIONS					
AD	0	P	LTR	DESCRIPTION	DATE	DWN	APVD
		D1		REVISED PER ECO-11-004917	11MAR11	RK	HMR



- MATERIAL AND FINISH:
 SKIRT AND INLAY: ALUMINUM .016 THK., CLEAR ACRYLIC COATED
 BODY: PHENOLIC, BLACK, HIGH GLOSS FINISH (SPE/SP1#A2)
 SET SCREW: 303 STAINLESS STEEL, BLACK ANODIZED
 INSERT: BRASS

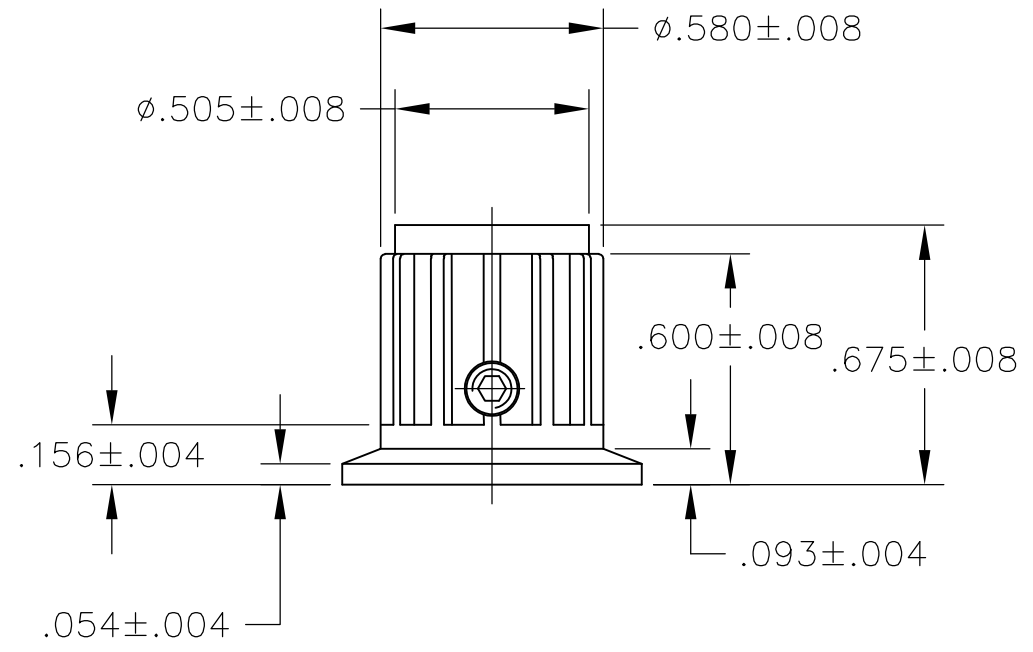
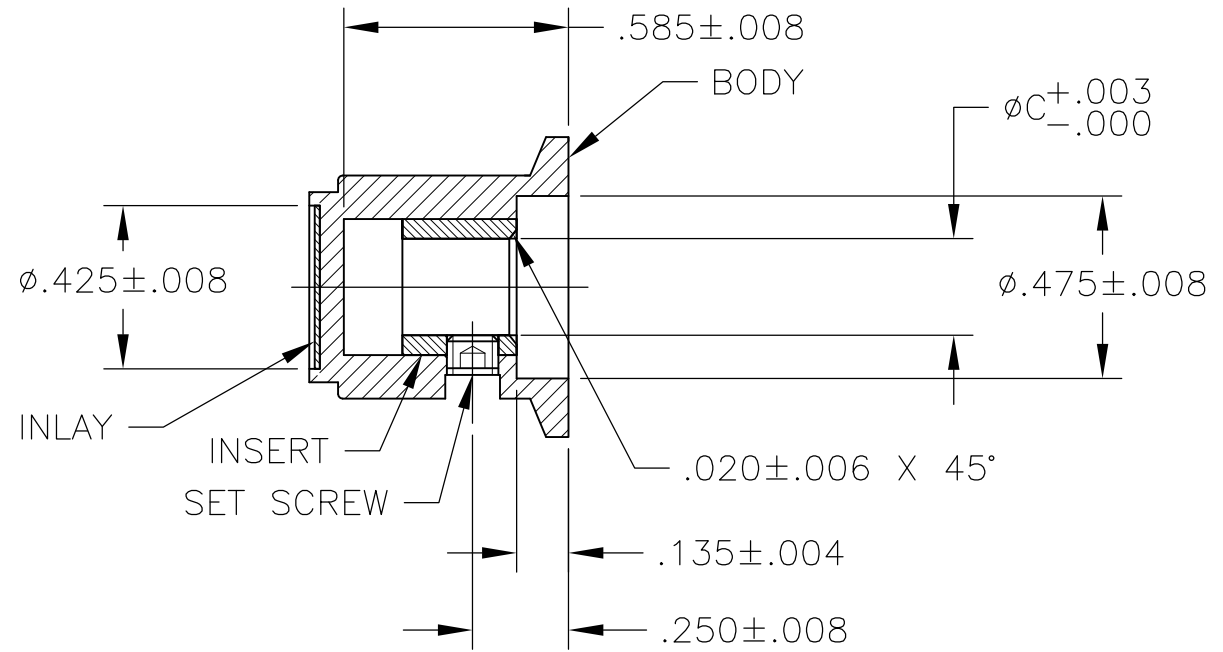
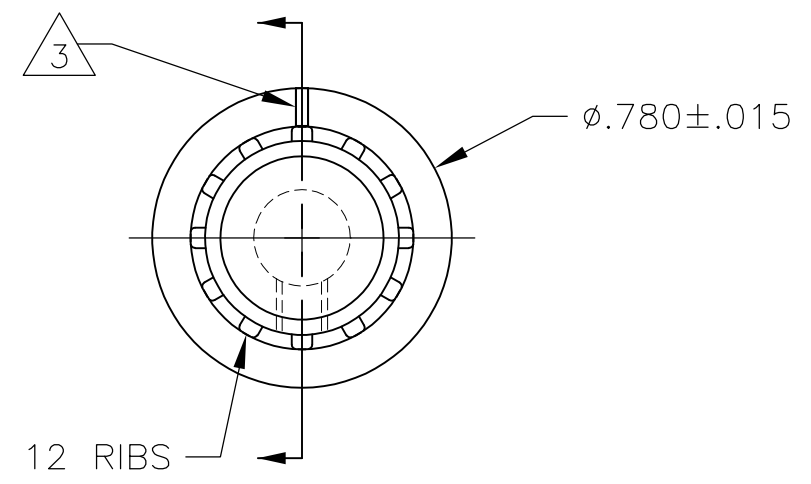
- SET SCREW ARE UNC-2A, CUP POINT, HEX SOCKET TYPE.
- INDICATOR, PAINTED FULL, COLOR: WHITE; .02 ± 0.01 DEEP
- RETENTION FORCE OF INSERT IN KNOB BODY: 2 LBS MIN.

#6-32 X .188	.126	PKA50B1/8	1-1437624-1
#6-32 X .125	.251	PKA50B1/4	1-1437624-0
SET SCREW	C	MODEL NUMBER	PART NUMBER
	SHAFT HOLE		

THIS DRAWING IS A CONTROLLED DOCUMENT.		DWN	M.BINNER	25MAR03	STE TE Connectivity		
DIMENSIONS: INCHES		CHK	-	-			
TOLERANCES UNLESS OTHERWISE SPECIFIED:		APVD	-	-	NAME		
0 PLC ± -		PRODUCT SPEC	-	-	-		
1 PLC ± -		APPLICATION SPEC	-	-	-		
2 PLC ± -		SIZE	A3	00779	CAGE CODE	C-1-1437624-0	DRAWING NO
3 PLC ± -		WEIGHT	-	-	RESTRICTED TO		-
4 PLC ± -		CUSTOMER DRAWING		SCALE	2:1	SHEET	1 OF 4
ANGLES ± -				REV	D1		
FINISH -							

THIS DRAWING IS UNPUBLISHED. RELEASED FOR PUBLICATION
 © COPYRIGHT - By - ALL RIGHTS RESERVED.

LOC	DIST	REVISIONS					
AD	0	P	LTR	DESCRIPTION	DATE	DWN	APVD
		-		SEE SHEET 1	-	-	-



#6-32 X .188	.126	PKA55B1/8	1-1437624-4
#6-32 X .125	.251	PKA55B1/4	1-1437624-3
SET SCREW	C	MODEL NUMBER	PART NUMBER
2	SHAFT HOLE		

THIS DRAWING IS A CONTROLLED DOCUMENT.		DWN M.BINNER	25MAR03	TE Connectivity PKA KNOB SERIES STANDARD			
DIMENSIONS: INCHES		CHK	-				
TOLERANCES UNLESS OTHERWISE SPECIFIED:		APVD	-	PRODUCT SPEC			
0 PLC ± - 1 PLC ± - 2 PLC ± - 3 PLC ± - 4 PLC ± - ANGLES ± -		APPLICATION SPEC		RESTRICTED TO			
MATERIAL		WEIGHT		SIZE	CAGE CODE	DRAWING NO	
-		-		A3	00779	C-1-1437624-0	-
CUSTOMER DRAWING				SCALE	1:1	SHEET	2 OF 4
				REV D1			

THIS DRAWING IS UNPUBLISHED.

RELEASED FOR PUBLICATION

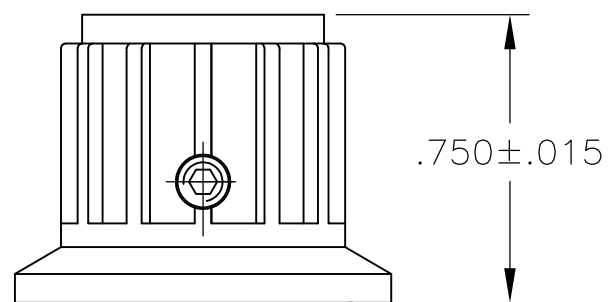
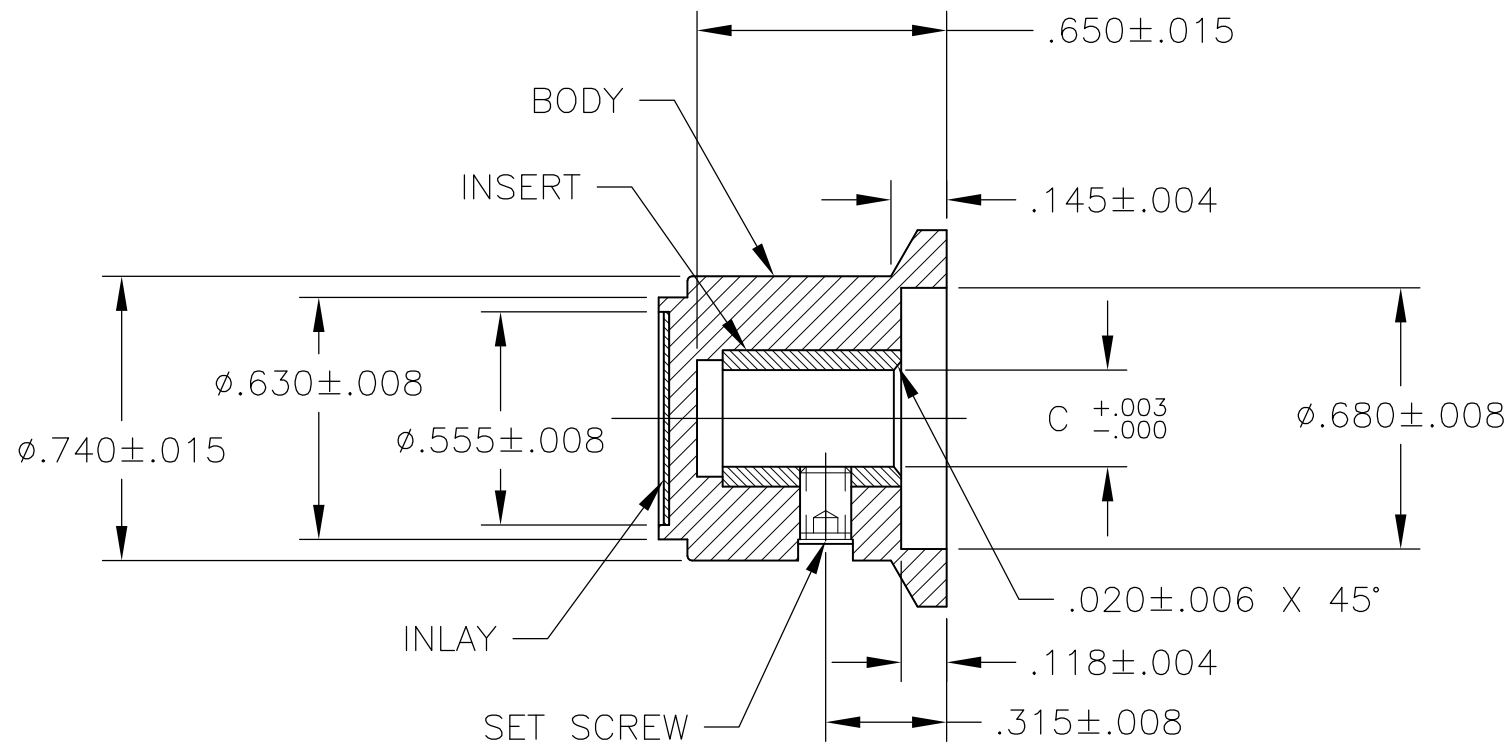
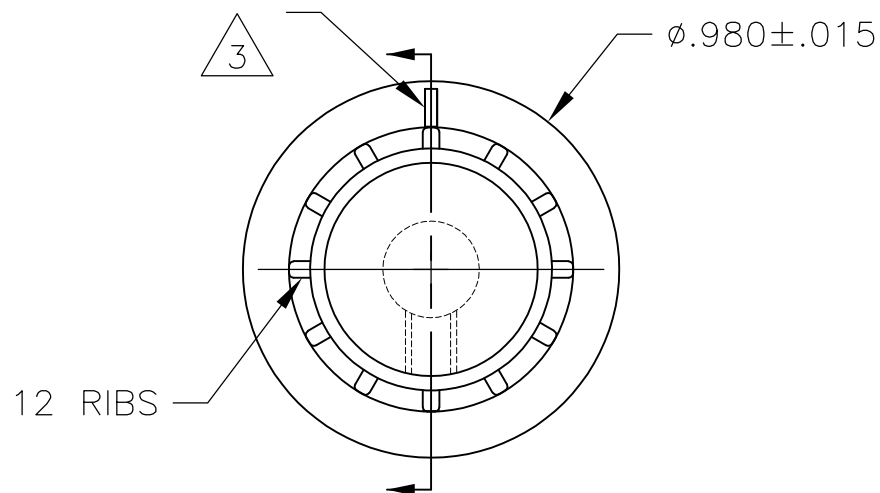
ALL RIGHTS RESERVED.

© COPYRIGHT - By -

LOC AD DIST 0

REVISIONS

P	LTR	DESCRIPTION	DATE	DWN	APVD
-	-	SEE SHEET 1	-	-	-



#6-32 X .188	.251	PKA70B1/4	1-1437624-5
SET SCREW	C SHAFT HOLE	MODEL NUMBER	PART NUMBER

THIS DRAWING IS A CONTROLLED DOCUMENT.		DWN M.BINNER	25MAR03	STE TE Connectivity													
DIMENSIONS: INCHES		CHK -	APVD -			NAME											
TOLERANCES UNLESS OTHERWISE SPECIFIED:		PRODUCT SPEC		PKA KNOB SERIES STANDARD													
<table border="0"> <tr><td>0 PLC</td><td>± -</td></tr> <tr><td>1 PLC</td><td>± -</td></tr> <tr><td>2 PLC</td><td>± -</td></tr> <tr><td>3 PLC</td><td>± -</td></tr> <tr><td>4 PLC</td><td>± -</td></tr> <tr><td>ANGLES</td><td>± -</td></tr> </table>		0 PLC	± -	1 PLC	± -	2 PLC	± -	3 PLC	± -	4 PLC	± -	ANGLES	± -	APPLICATION SPEC		RESTRICTED TO	
0 PLC	± -																
1 PLC	± -																
2 PLC	± -																
3 PLC	± -																
4 PLC	± -																
ANGLES	± -																
MATERIAL		WEIGHT		SIZE	CAGE CODE												
FINISH		CUSTOMER DRAWING		A3	00779												
		SCALE 1:1		DRAWING NO	REV												
		SHEET 3 OF 4		C-1-1437624-0	D1												

THIS DRAWING IS UNPUBLISHED.

RELEASED FOR PUBLICATION

LOC

DIST

REVISIONS

© COPYRIGHT - By -

ALL RIGHTS RESERVED.

AD

0

P

LTR

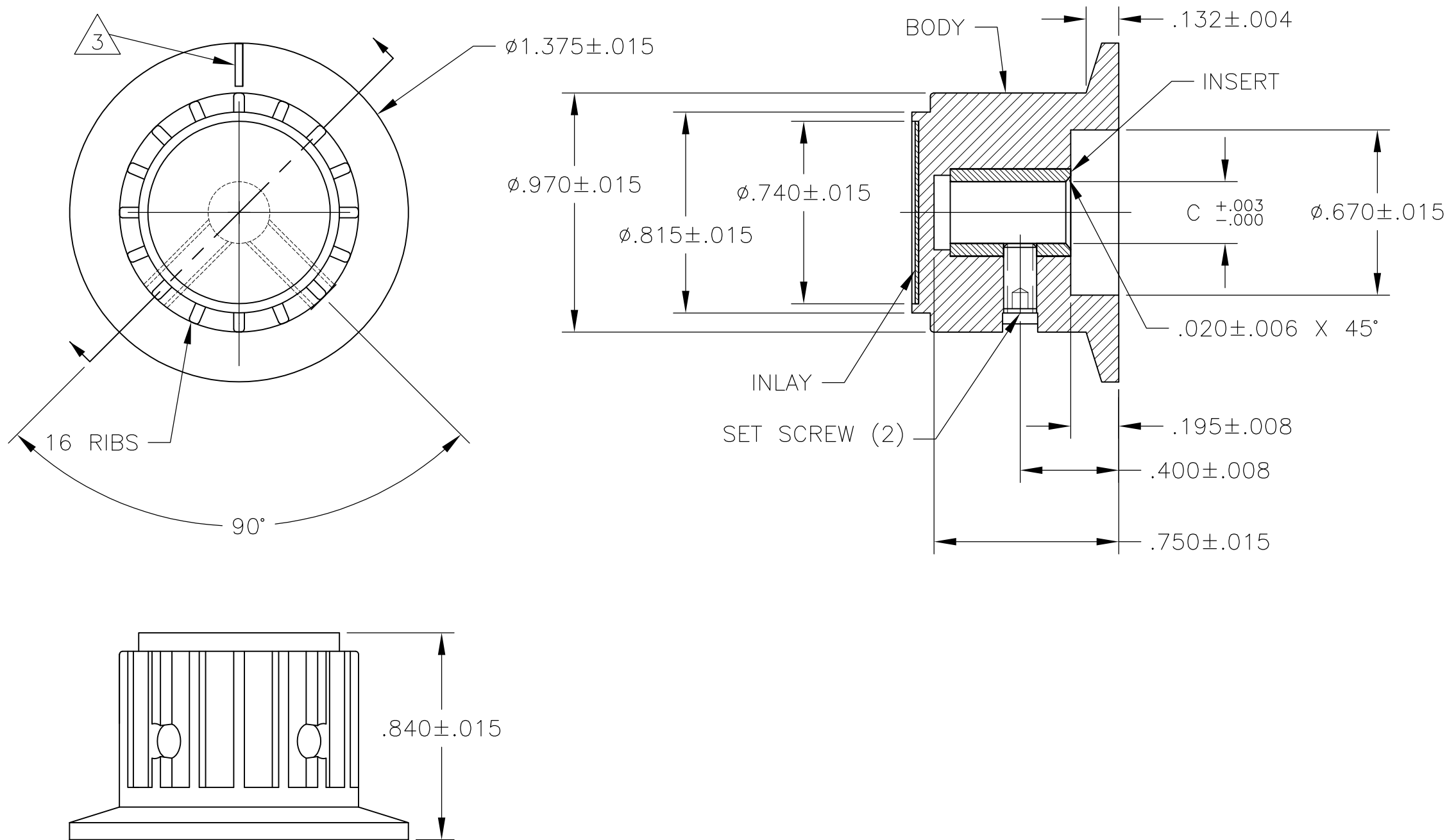
DESCRIPTION

DATE

DWN

APVD

SEE SHEET 1



#6-32 X .188	.251	PKA90B1/4	1-1437624-7
SET SCREW	C SHAFT HOLE	MODEL NUMBER	PART NUMBER

THIS DRAWING IS A CONTROLLED DOCUMENT.		DWN M.BINNER	25MAR03	STE TE Connectivity	
DIMENSIONS: INCHES		CHK -	APVD -		
TOLERANCES UNLESS OTHERWISE SPECIFIED:		PRODUCT SPEC -	APPLICATION SPEC -	SIZE A3	CAGE CODE 00779
MATERIAL -		FINISH -	WEIGHT -	DRAWING NO C-1-1437624-0	RESTRICTED TO -
CUSTOMER DRAWING			SCALE 1:1	SHEET 4 OF 4	REV D1