



Chipsmall Limited consists of a professional team with an average of over 10 year of expertise in the distribution of electronic components. Based in Hongkong, we have already established firm and mutual-benefit business relationships with customers from,Europe,America and south Asia,supplying obsolete and hard-to-find components to meet their specific needs.

With the principle of “Quality Parts,Customers Priority,Honest Operation,and Considerate Service”,our business mainly focus on the distribution of electronic components. Line cards we deal with include Microchip,ALPS,ROHM,Xilinx,Pulse,ON,Everlight and Freescale. Main products comprise IC,Modules,Potentiometer,IC Socket,Relay,Connector.Our parts cover such applications as commercial,industrial, and automotives areas.

We are looking forward to setting up business relationship with you and hope to provide you with the best service and solution. Let us make a better world for our industry!



## Contact us

Tel: +86-755-8981 8866 Fax: +86-755-8427 6832

Email & Skype: info@chipsmall.com Web: www.chipsmall.com

Address: A1208, Overseas Decoration Building, #122 Zhenhua RD., Futian, Shenzhen, China



THIS DRAWING IS UNPUBLISHED.

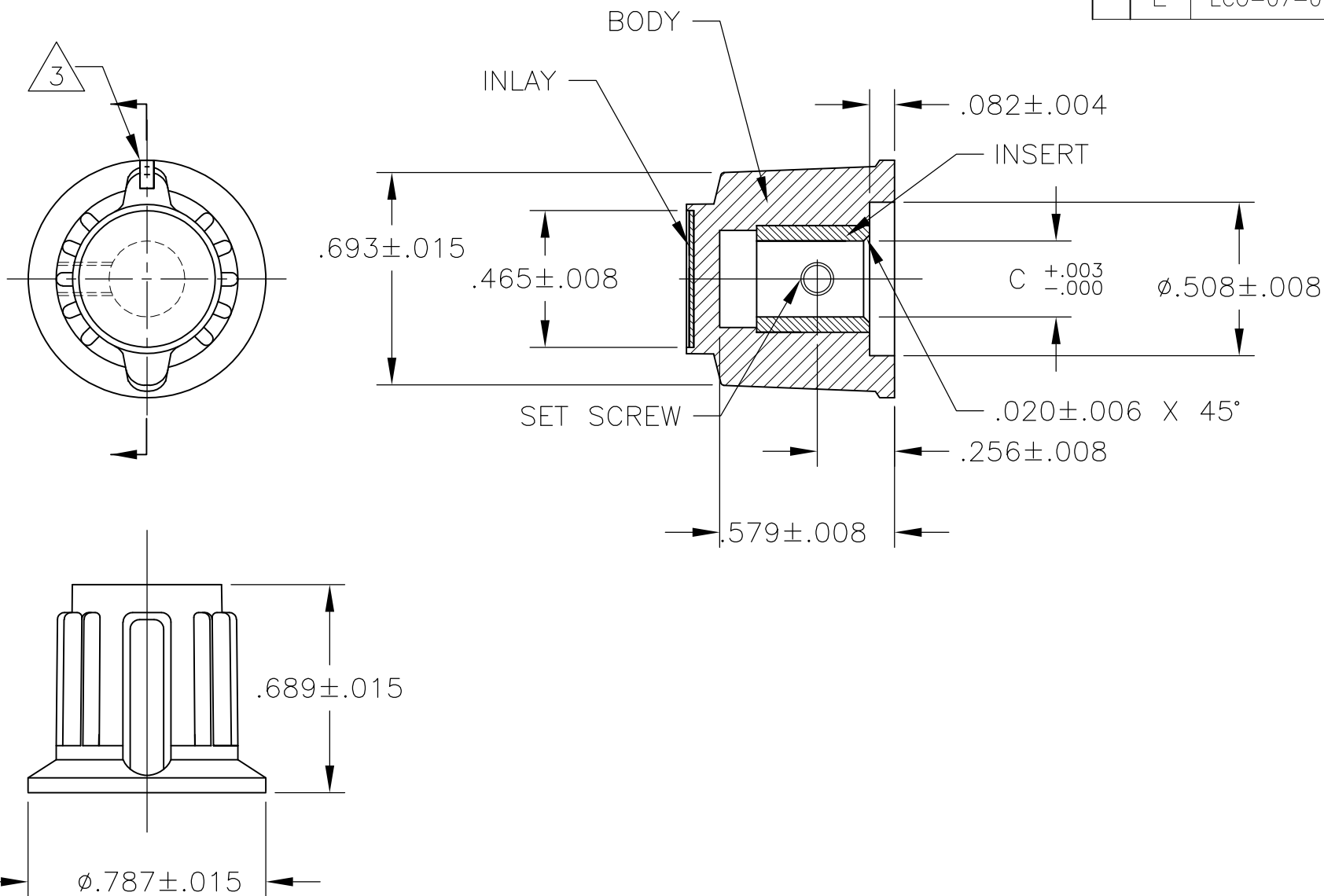
RELEASED FOR PUBLICATION

© COPYRIGHT BY TYCO ELECTRONICS CORPORATION. ALL RIGHTS RESERVED.

LOC AD DIST 00

REVISIONS

P	LTR	DESCRIPTION	DATE	DWN	APVD
E		ECO-07-011727	27JUN2007	RB	MW



- MATERIAL AND FINISH:  
 INLAY: ALUMINUM .016 THK., CLEAR ACYLIC COATED  
 BODY: PHENOLIC, BLACK, HIGH GLOSS FINISH (SPE/SPI#A2)  
 SET SCREW: 303 STAINLESS STEEL, BLACK ANODIZED  
 INSERT: BRASS

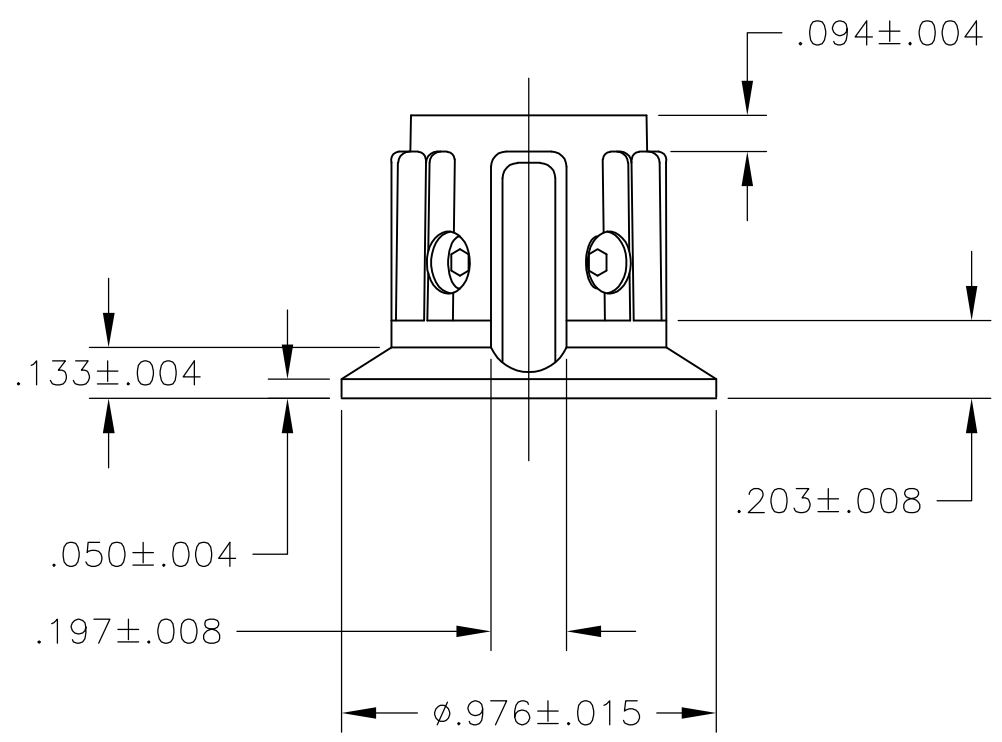
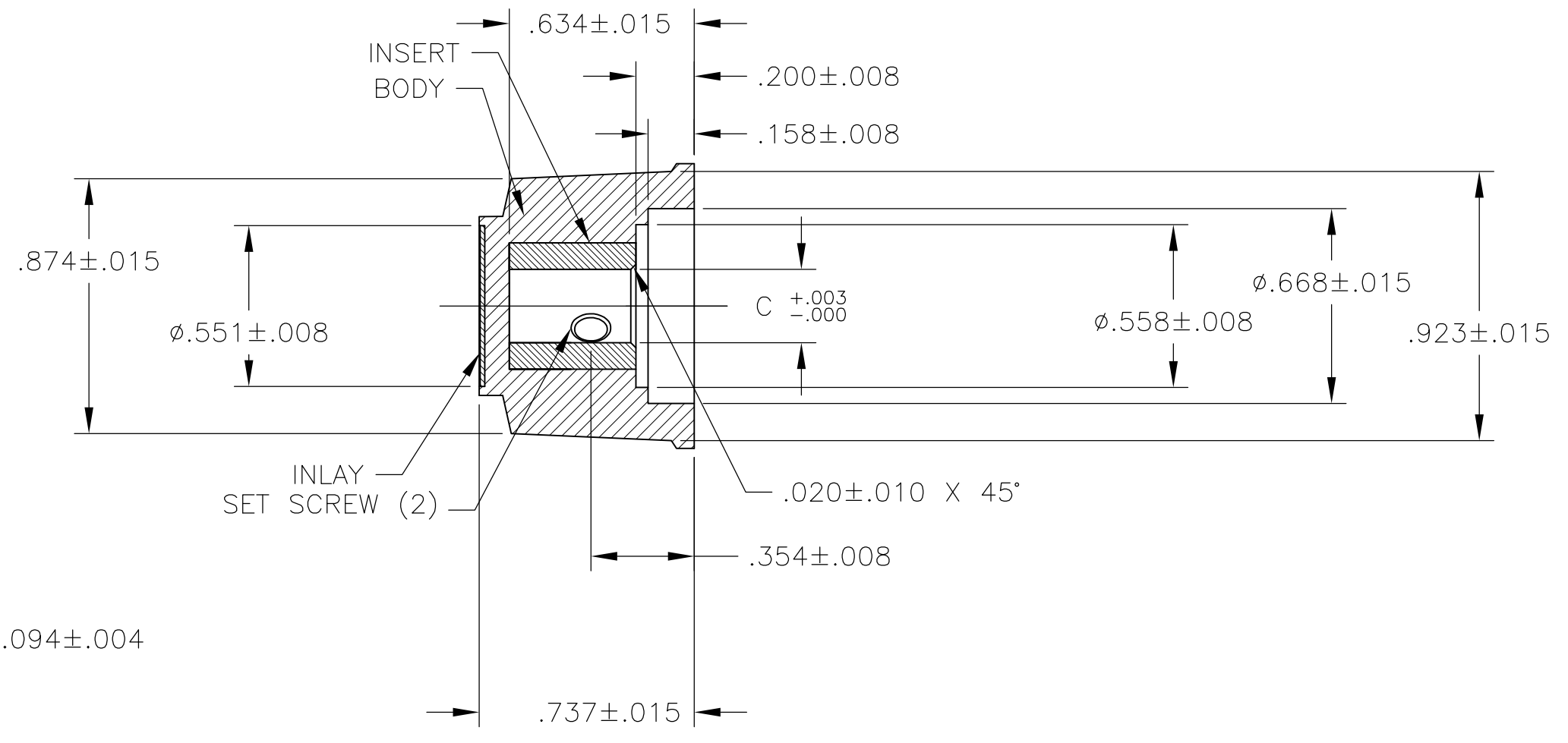
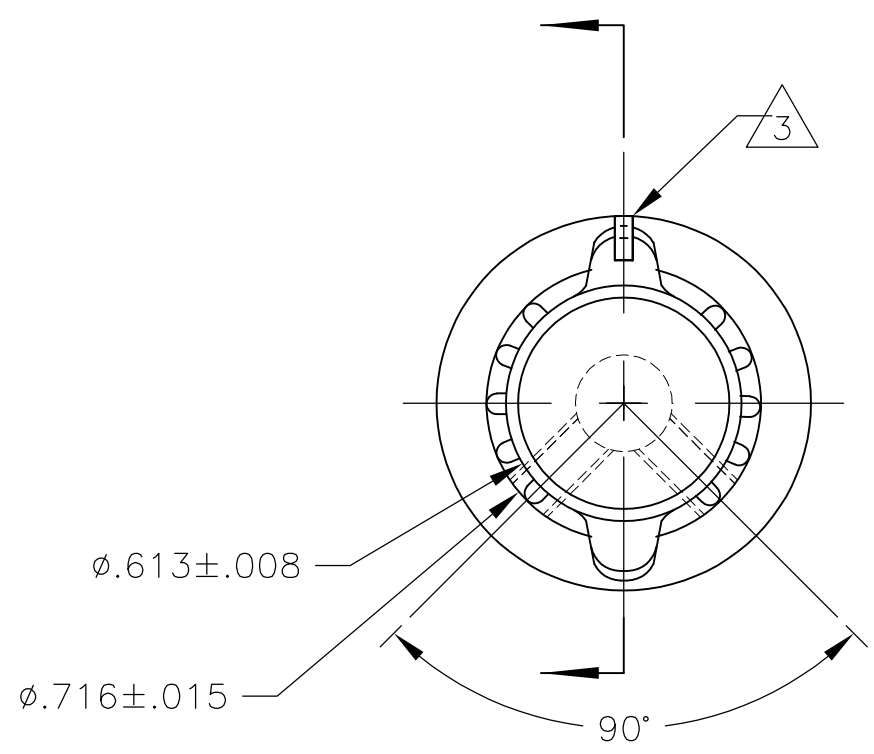
- SET SCREW ARE UNC-2A, CUP POINT, HEX SOCKET TYPE.
- INDICATOR, PAINTED FULL, COLOR: WHITE; .030±.010 DEEP
- RETENTION FORCE OF INSERT IN KNOB BODY: 50 LBS MIN.

#6-32 X .125	.126	PKAP50B1/8	1-1437624-9
#6-32 X .125	.251	PKAP50B1/4	1-1437624-8
SET SCREW	C	MODEL NUMBER	PART NUMBER
	SHAFT HOLE		

THIS DRAWING IS A CONTROLLED DOCUMENT.		DWN M.BINNER	25MAR03	Tyco Electronics Corporation Harrisburg, PA 17105													
DIMENSIONS: INCHES		CHK -	APVD -	NAME													
TOLERANCES UNLESS OTHERWISE SPECIFIED:		PRODUCT SPEC -		PKA KNOB SERIES STANDARD													
<table border="0"> <tr><td>0 PLC</td><td>± -</td></tr> <tr><td>1 PLC</td><td>± -</td></tr> <tr><td>2 PLC</td><td>± -</td></tr> <tr><td>3 PLC</td><td>± -</td></tr> <tr><td>4 PLC</td><td>± -</td></tr> <tr><td>ANGLES</td><td>± 2'</td></tr> </table>		0 PLC	± -	1 PLC	± -	2 PLC	± -	3 PLC	± -	4 PLC	± -	ANGLES	± 2'	APPLICATION SPEC -		SIZE	
0 PLC	± -																
1 PLC	± -																
2 PLC	± -																
3 PLC	± -																
4 PLC	± -																
ANGLES	± 2'																
MATERIAL -	FINISH -	WEIGHT -	A3	CAGE CODE 00779	DRAWING NO C-1-1437624-8												
CUSTOMER DRAWING			SCALE 2:1	SHEET 1 OF 3	REV E												

THIS DRAWING IS UNPUBLISHED. RELEASED FOR PUBLICATION  
 © COPYRIGHT BY TYCO ELECTRONICS CORPORATION. ALL RIGHTS RESERVED.

LOC	DIST	REVISIONS					
AD	00	P	LTR	DESCRIPTION	DATE	DWN	APVD
		-		SEE SHEET 1	-	-	-

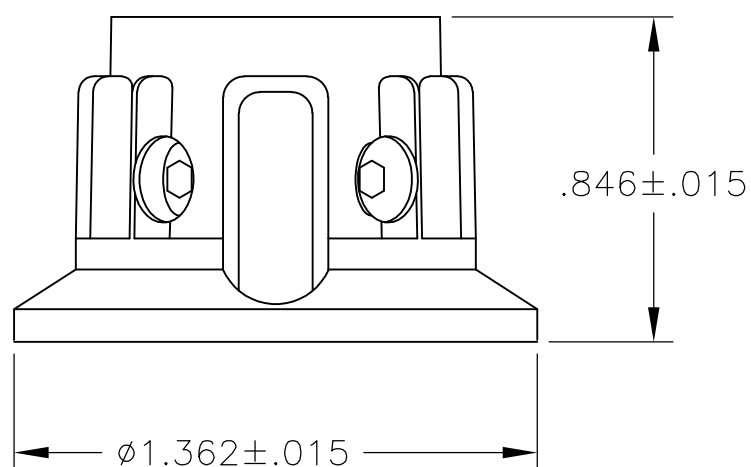
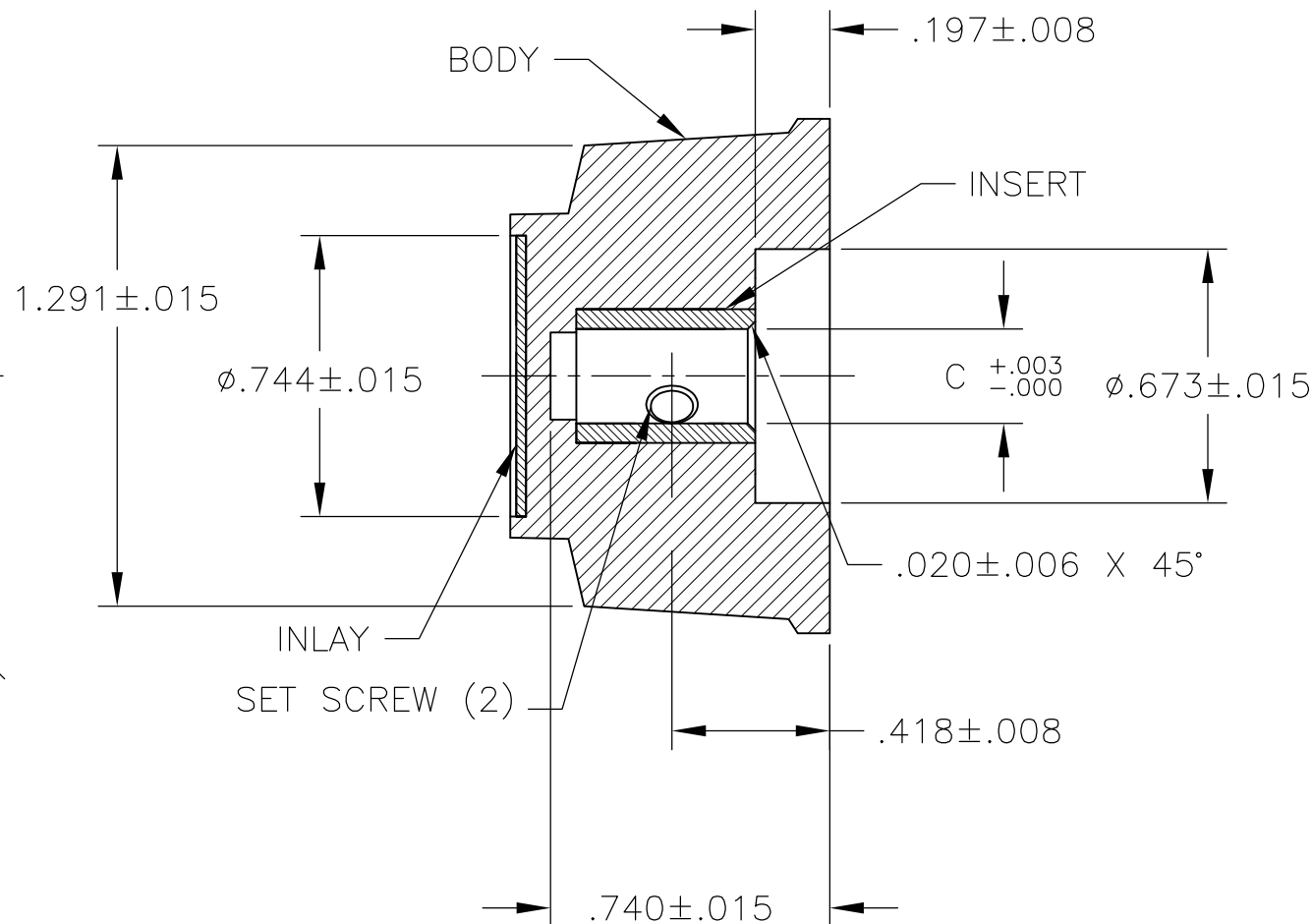
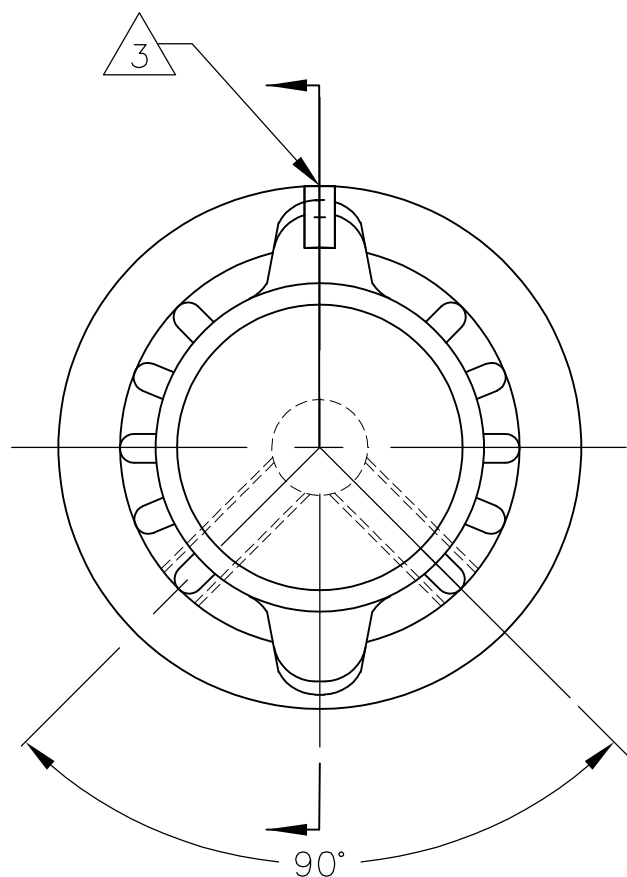


#6-32 X .188	.251	PKAP70B1/4	2-1437624-0
SET SCREW	C	MODEL NUMBER	PART NUMBER
2	SHAFT HOLE		

THIS DRAWING IS A CONTROLLED DOCUMENT.		DWN	M.BINNER	25MAR03	Tyco Electronics Corporation Harrisburg, PA 17105		
DIMENSIONS: INCHES		CHK	-	-	PKA KNOB SERIES STANDARD		
TOLERANCES UNLESS OTHERWISE SPECIFIED:		APVD	-	-	NAME		
0 PLC ± -		PRODUCT SPEC	-	-	SIZE		
1 PLC ± -		APPLICATION SPEC	-	-	CAGE CODE	DRAWING NO	RESTRICTED TO
2 PLC ± -					A3	00779	C-1-1437624-8
3 PLC ± -					SCALE 1:1 SHEET 2 OF 3 REV E		
4 PLC ± -							
ANGLES ± 2'							
FINISH							
MATERIAL							
					CUSTOMER DRAWING		

THIS DRAWING IS UNPUBLISHED. RELEASED FOR PUBLICATION  
 © COPYRIGHT BY TYCO ELECTRONICS CORPORATION. ALL RIGHTS RESERVED.

LOC AD	DIST 00	REVISIONS		
P	LTR	DESCRIPTION	DATE	DWN APVD
	-	SEE SHEET 1	-	-



#6-32	.251	PKAP90B1/4	2-1437624-2
SET SCREW	C SHAFT HOLE	MODEL NUMBER	PART NUMBER

THIS DRAWING IS A CONTROLLED DOCUMENT.		DWN M.BINNER	25MAR03	Tyco Electronics Corporation Harrisburg, PA 17105	
DIMENSIONS: INCHES		TOLERANCES UNLESS OTHERWISE SPECIFIED:		NAME PKA KNOB SERIES STANDARD	
		0 PLC ± -	1 PLC ± -	PRODUCT SPEC	
		2 PLC ± -	3 PLC ± -	APPLICATION SPEC	
		4 PLC ± -	ANGLES ± 2'	SIZE A3	
MATERIAL		FINISH		CAGE CODE 00779	DRAWING NO C-1-1437624-8
CUSTOMER DRAWING				RESTRICTED TO	
SCALE 1:1			SHEET 3 OF 3	REV E	