



Chipsmall Limited consists of a professional team with an average of over 10 year of expertise in the distribution of electronic components. Based in Hongkong, we have already established firm and mutual-benefit business relationships with customers from,Europe,America and south Asia,supplying obsolete and hard-to-find components to meet their specific needs.

With the principle of “Quality Parts,Customers Priority,Honest Operation,and Considerate Service”,our business mainly focus on the distribution of electronic components. Line cards we deal with include Microchip,ALPS,ROHM,Xilinx,Pulse,ON,Everlight and Freescale. Main products comprise IC,Modules,Potentiometer,IC Socket,Relay,Connector.Our parts cover such applications as commercial,industrial, and automotives areas.

We are looking forward to setting up business relationship with you and hope to provide you with the best service and solution. Let us make a better world for our industry!



Contact us

Tel: +86-755-8981 8866 Fax: +86-755-8427 6832

Email & Skype: info@chipsmall.com Web: www.chipsmall.com

Address: A1208, Overseas Decoration Building, #122 Zhenhua RD., Futian, Shenzhen, China



4

3

2

1

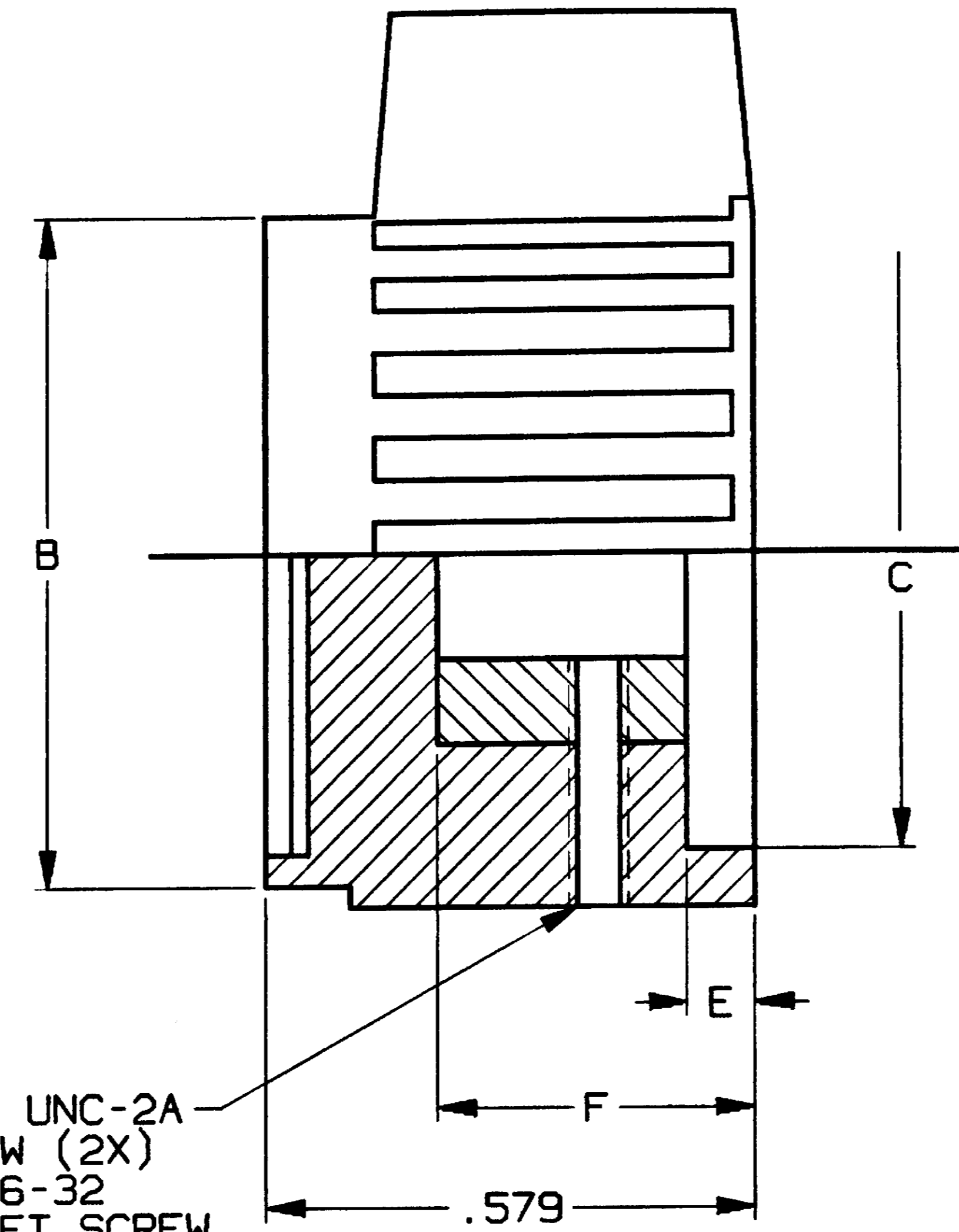
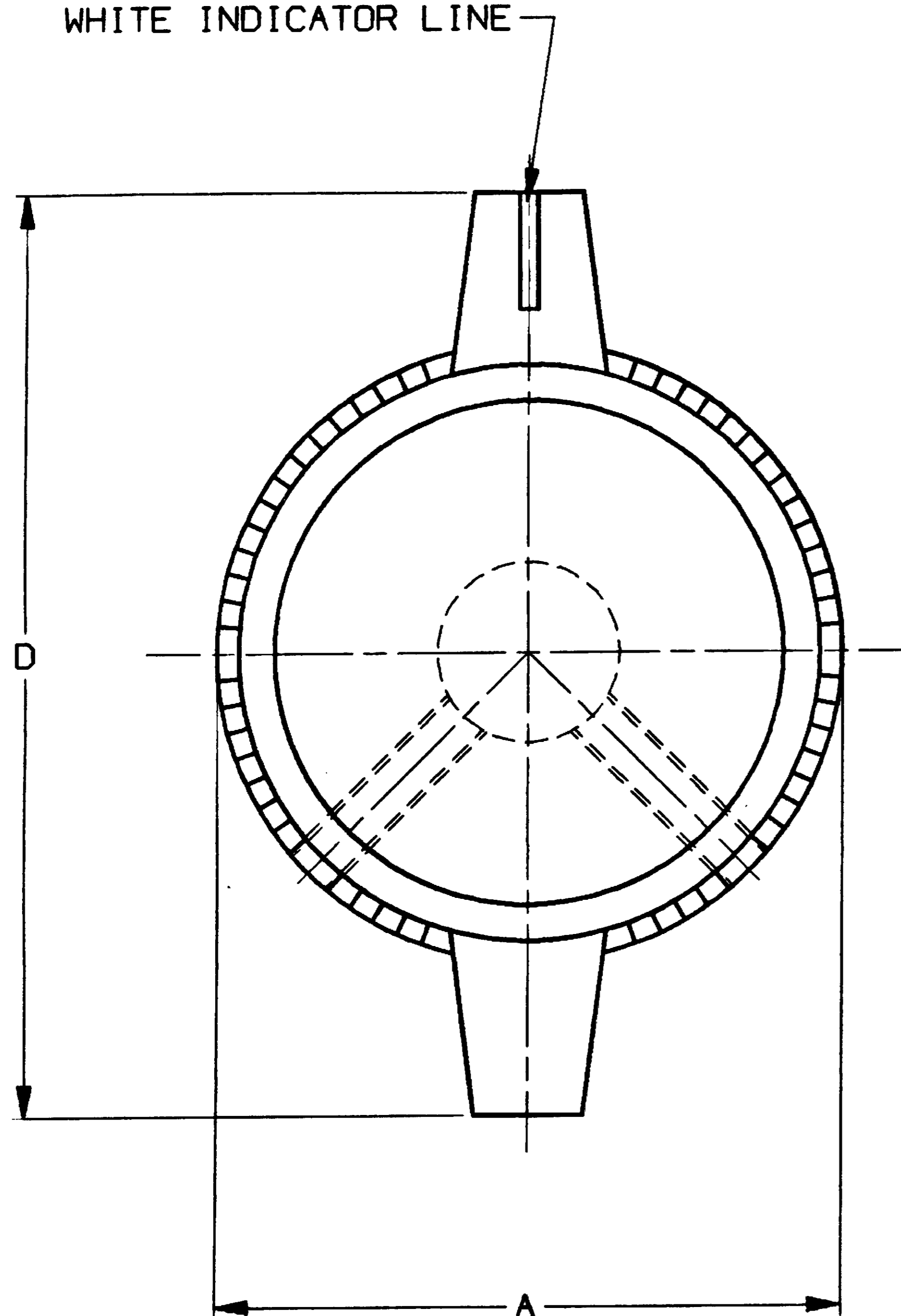
CONVERSION CHART	
INCH	MM
.005	0.13
.015	0.38
.080	2.03
.091	2.30
.250	6.35
.460	11.68
.465	11.80
.579	14.70
.590	14.99
.700	17.78
.740	18.80
.810	20.57
.860	21.84
.898	22.8
.990	25.15
1.000	25.50
1.06	27.00
1.280	32.51
1.62	41.10

SPECIFICATIONS:

MATERIALS:
 BODY: PHENOLIC, COLOR: BLACK.
 SHAFT HOLE INSERT: COPPER ALLOY.
 SET SCREW: STEEL.
 INLAY: ALUMINUM, SPUN FINISH.

NOTES:

1. INTERPRET DRAWING PER ANSI Y14.5M-1982.
2. SUPPLIED WITH HEX HEAD, CUP POINT SET SCREWS ASSEMBLED.
3. BURRS CAUSED BY TAPPING MUST NOT INTERFERE WITH SHAFT INSERTION TO FULL SHAFT DEPTH NOR ARE THEY ALLOWED ABOVE OUTER SURFACE.
4. ALL CORNERS OR RADII TO BE .005 MAXIMUM.



NO. 6-32 UNC-2A
 SET SCREW (2X)
 AND NO. 6-32
 UNC-2B SET SCREW
 HOLE (2X)

MODEL NO.	DIMENSIONS						
	A DIA.	B DIA.	C DIA.	DIM. D	DIM. E	DIM. F	SHAFT HOLE DIA.
PKGP-70B-1/4	.740	.700	.590	.990	.080	.460	.250
PKGP-90B-1/4	.860	.810	.700	1.280	.080	.460	.250
PKGP-100B-1/4	1.06	1.000	.898	1.62	.091	.465	.250

OUTLINE DRAWING
 SPECIFICATIONS ARE SUBJECT TO CHANGES WITHOUT NOTICE

THIRD ANGLE PROJECTION

UNLESS OTHERWISE SPECIFIED DIMENSIONS ARE IN INCHES DO NOT SCALE PRINT

TOLERANCES (EXCEPT AS NOTED)
 ANGULAR = ±1°
 DECIMAL .XX = ±
 DECIMAL .XXX = ±.015
 DECIMAL .XXXX = ±

AUGAT CONFIDENTIAL
 This document contains information which is the exclusive property of Augat Inc. Distribution, reproduction or use by others is not permitted without the expressed written consent of Augat Inc.

FILE NAME: 80779OUT DIRECTORY: KNOBS

MATERIAL: SEE SPECIFICATIONS

FINISH: SEE SPECIFICATIONS

ORIGINAL DATE OF DRAWING: 10-16-96

DRAWN: S.KIRCORIAN DATE: 10-16-96

CHECKED: DATE:

APPROVED: *[Signature]* DATE: 10-21-96

CODE IDENT. NO. 91506 DWG. SIZE C

NEXT ASSY:

THIS IS A C.A.D. GENERATED DRAWING. DO NOT MAKE MANUAL REVISIONS TO MASTER.

AUGAT 452 JOHN DIETSCH BLVD. ATTLEBORO FALLS, MASS. 02763 INC.

TITLE: **OUTLINE DRAWING**
KNOB
(PKGP) SERIES

DWG. NO. 80779-SD REV. 0

PRODUCT CODE: M12

SCALE: SHEET 1 OF 1

REV	0
REVISIONS	INITIAL RELEASE ESR#A8014 SEK 10-16-96 APP'D: <i>[Signature]</i>

4

3

2

1