



Chipsmall Limited consists of a professional team with an average of over 10 year of expertise in the distribution of electronic components. Based in Hongkong, we have already established firm and mutual-benefit business relationships with customers from,Europe,America and south Asia,supplying obsolete and hard-to-find components to meet their specific needs.

With the principle of “Quality Parts,Customers Priority,Honest Operation,and Considerate Service”,our business mainly focus on the distribution of electronic components. Line cards we deal with include Microchip,ALPS,ROHM,Xilinx,Pulse,ON,Everlight and Freescale. Main products comprise IC,Modules,Potentiometer,IC Socket,Relay,Connector.Our parts cover such applications as commercial,industrial, and automotives areas.

We are looking forward to setting up business relationship with you and hope to provide you with the best service and solution. Let us make a better world for our industry!



Contact us

Tel: +86-755-8981 8866 Fax: +86-755-8427 6832

Email & Skype: info@chipsmall.com Web: www.chipsmall.com

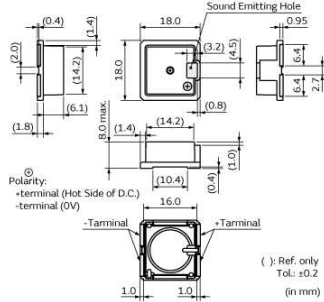
Address: A1208, Overseas Decoration Building, #122 Zhenhua RD., Futian, Shenzhen, China



PKMCS1818E20A0-R1

In Production RoHS REACH

Appearance & Shape



Features

Taking advantage of extensive acoustic and mechanical design technology and high performance ceramics, Murata has developed High Sound Pressure Level SMD piezoelectric sounder that is suitable for the burglar alarm and notification sound on the equipments inside vehicles.

It helps the thin, high-density design of electronic equipment.

Features

1. High sound pressure level and clear sound
2. Available for a wide temperature range(-40 ~ +105℃).
3. Reflowable
4. Tape & Reel supply

Applications

Automotive Usage	Infotainment
Other Usage	Automotive/Industrial

Packaging Information

Packaging	Specifications	Minimum Order Quantity
-R1	330mm Embossed Tape	250

Attention

1.This datasheet is downloaded from the website of Murata Manufacturing Co., Ltd. Therefore, it's specifications are subject to change or our products in it may be discontinued without advance notice. Please check with our sales representatives or product engineers before ordering.

2.This datasheet has only typical specifications because there is no space for detailed specifications.

Therefore, please review our product specifications or consult the approval sheet for product specifications before ordering.

PKMCS1818E20A0-R1

Specifications

Size	18.0×18.0×8.0 mm
Frequency	2.0kHz
Sound Pressure Level	100dB (typ.)
Sound Pressure Level	90dB (min.)
Measure Condition of Sound Pressure Level	[12Vo-p,2.0kHz,square wave,10cm]
Maximum input voltage	18.0Vo-p [with polarity]
Operating Temperature Range	-40°C to 105°C
Storage Temperature Range	-40°C to 105°C
Shape	SMD
Drive Type	External Drive

Attention

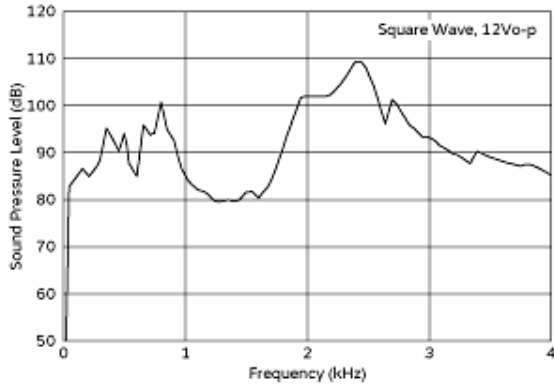
1.This datasheet is downloaded from the website of Murata Manufacturing Co., Ltd. Therefore, it's specifications are subject to change or our products in it may be discontinued without advance notice. Please check with our sales representatives or product engineers before ordering.

2.This datasheet has only typical specifications because there is no space for detailed specifications.

Therefore, please review our product specifications or consult the approval sheet for product specifications before ordering.

PKMCS1818E20A0-R1

Product Data



Frequency Response

Attention

- 1.This datasheet is downloaded from the website of Murata Manufacturing Co., Ltd. Therefore, it's specifications are subject to change or our products in it may be discontinued without advance notice. Please check with our sales representatives or product engineers before ordering.
- 2.This datasheet has only typical specifications because there is no space for detailed specifications.
Therefore, please review our product specifications or consult the approval sheet for product specifications before ordering.