



Chipsmall Limited consists of a professional team with an average of over 10 year of expertise in the distribution of electronic components. Based in Hongkong, we have already established firm and mutual-benefit business relationships with customers from,Europe,America and south Asia,supplying obsolete and hard-to-find components to meet their specific needs.

With the principle of “Quality Parts,Customers Priority,Honest Operation,and Considerate Service”,our business mainly focus on the distribution of electronic components. Line cards we deal with include Microchip,ALPS,ROHM,Xilinx,Pulse,ON,Everlight and Freescale. Main products comprise IC,Modules,Potentiometer,IC Socket,Relay,Connector.Our parts cover such applications as commercial,industrial, and automotives areas.

We are looking forward to setting up business relationship with you and hope to provide you with the best service and solution. Let us make a better world for our industry!



Contact us

Tel: +86-755-8981 8866 Fax: +86-755-8427 6832

Email & Skype: info@chipsmall.com Web: www.chipsmall.com

Address: A1208, Overseas Decoration Building, #122 Zhenhua RD., Futian, Shenzhen, China



MODEL PKS1 - PANEL KEY SWITCH

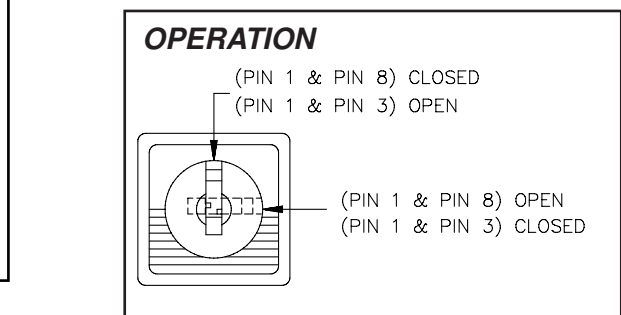
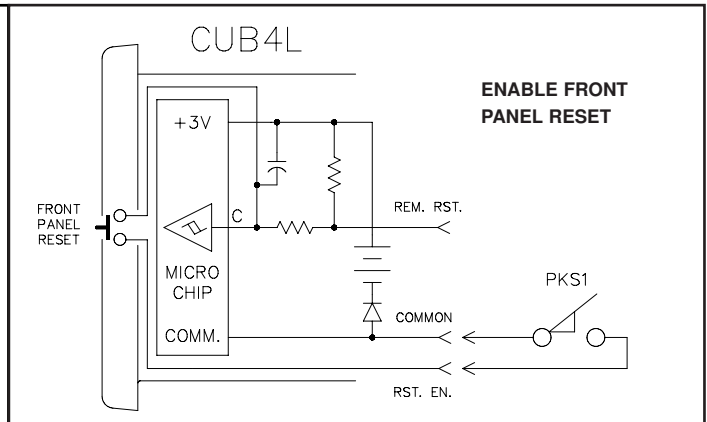
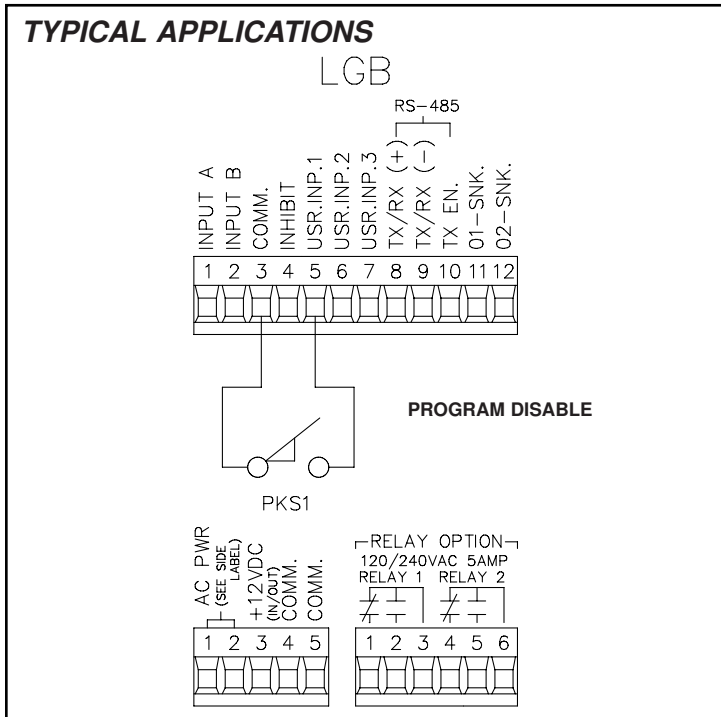
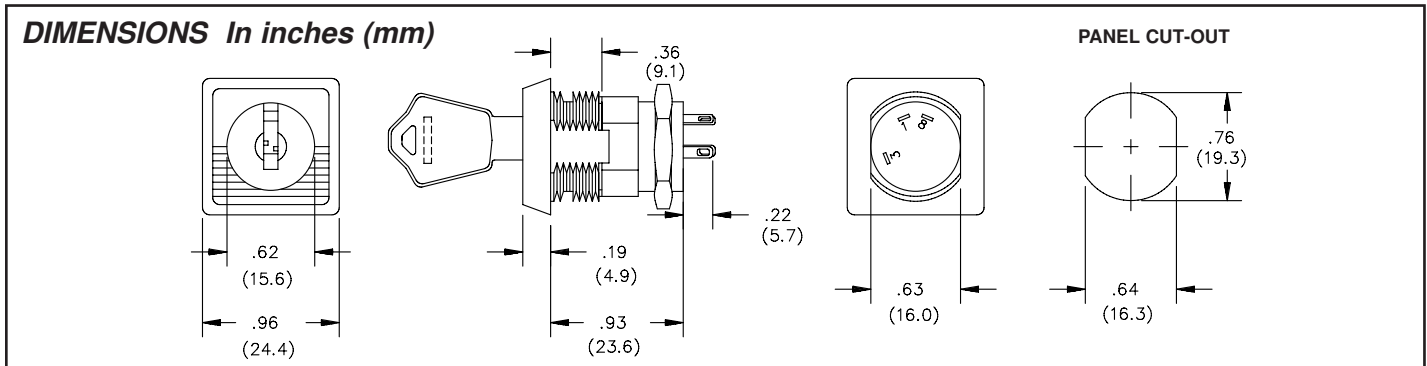


- SUPPLIED WITH TWO KEYS
- KEY CAN BE REMOVED IN TWO POSITIONS
- SOLDER TYPE TERMINALS FOR EASY HOOK-UP

SPECIFICATIONS

- CONTACT RATING:**
4 Amps @ 125 VAC or 28 VDC; 2 Amps @ 250 VAC.
- ELECTRICAL LIFE:** 10,000 make-and-break cycles at full load.
- CONTACT RESISTANCE:** Below 10 mΩ typical.
- INSULATION RESISTANCE:** 10⁹ Ω min.
- DIELECTRIC STRENGTH:** 1,000 V RMS min. @ sea level.
- INDEXING:** 90° 2 position.
- CONSTRUCTION:** Zinc alloy with nickel plated finish.

UL recognized component, CSA certified
 (C&K, PN# Y-101-1U-2B-203-NQ, UL File # E42363)



ORDERING INFORMATION

MODEL NO.	DESCRIPTION	PART NUMBER
PKS1	Panel Key Switch	PKS10000