



Chipsmall Limited consists of a professional team with an average of over 10 year of expertise in the distribution of electronic components. Based in Hongkong, we have already established firm and mutual-benefit business relationships with customers from,Europe,America and south Asia,supplying obsolete and hard-to-find components to meet their specific needs.

With the principle of “Quality Parts,Customers Priority,Honest Operation,and Considerate Service”,our business mainly focus on the distribution of electronic components. Line cards we deal with include Microchip,ALPS,ROHM,Xilinx,Pulse,ON,Everlight and Freescale. Main products comprise IC,Modules,Potentiometer,IC Socket,Relay,Connector.Our parts cover such applications as commercial,industrial, and automotives areas.

We are looking forward to setting up business relationship with you and hope to provide you with the best service and solution. Let us make a better world for our industry!



## Contact us

Tel: +86-755-8981 8866 Fax: +86-755-8427 6832

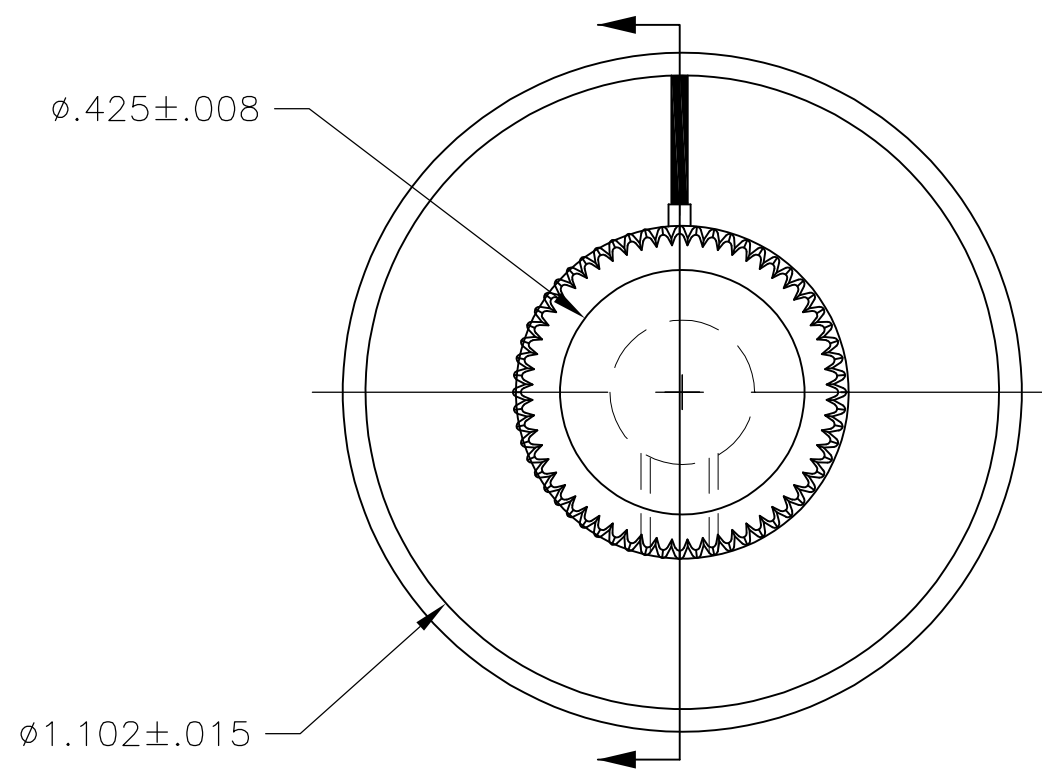
Email & Skype: info@chipsmall.com Web: www.chipsmall.com

Address: A1208, Overseas Decoration Building, #122 Zhenhua RD., Futian, Shenzhen, China

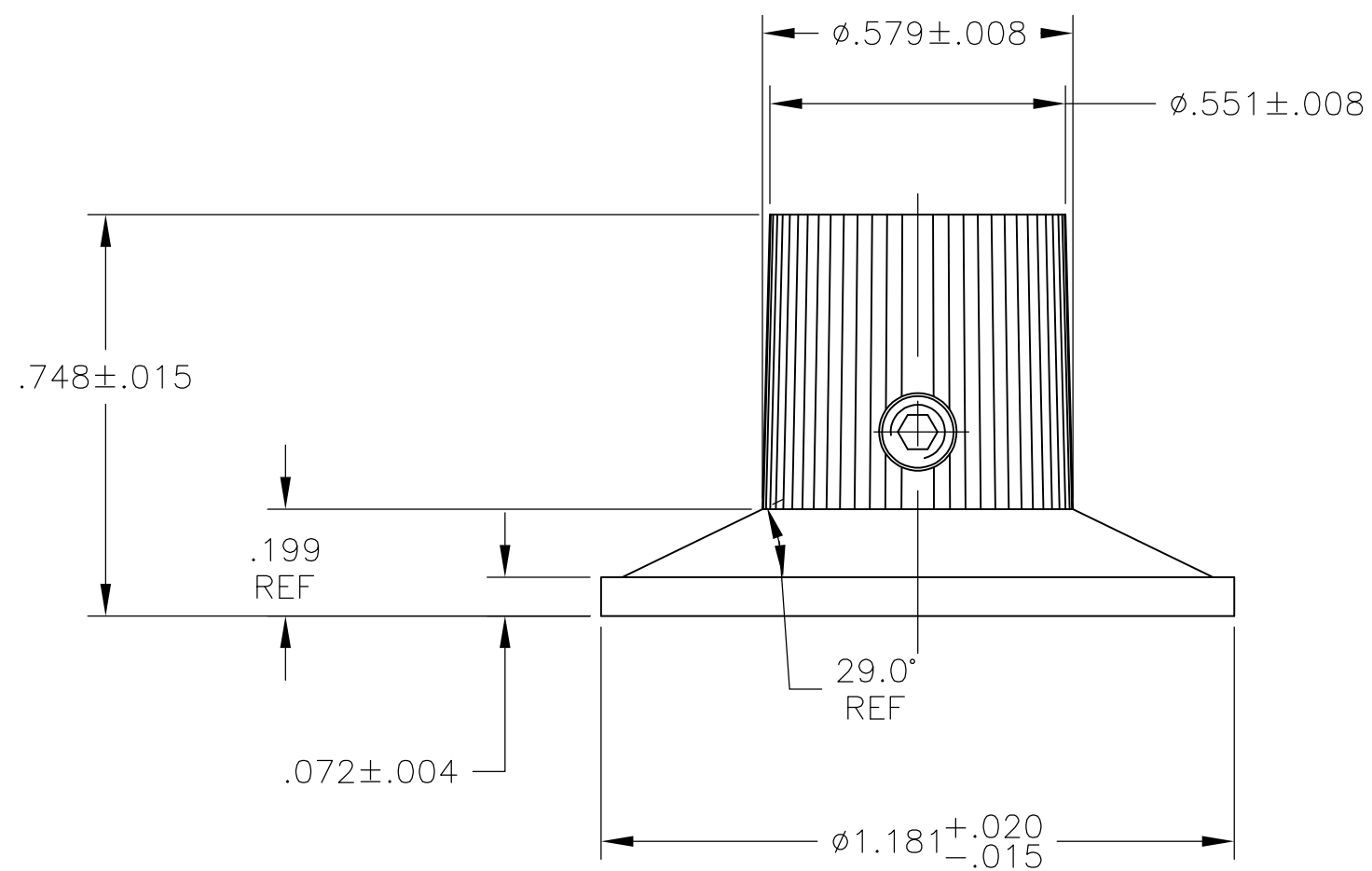
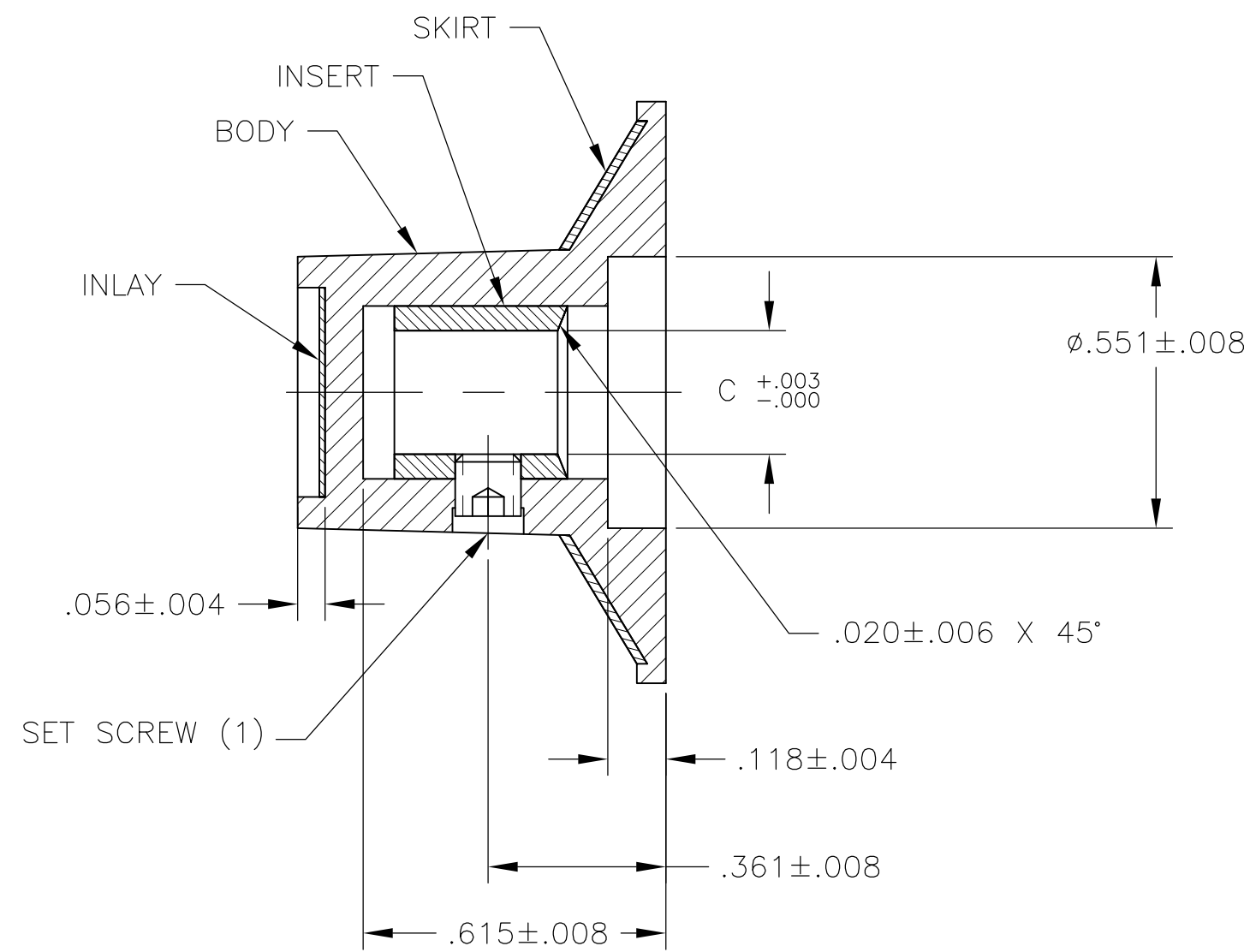


THIS DRAWING IS UNPUBLISHED. RELEASED FOR PUBLICATION  
 © COPYRIGHT BY TYCO ELECTRONICS CORPORATION. ALL RIGHTS RESERVED.

| LOC |     | DIST        |                           | REVISIONS |      |    |  |
|-----|-----|-------------|---------------------------|-----------|------|----|--|
| P   | LTR | DESCRIPTION | DATE                      | DWN       | APVD |    |  |
|     |     | B2          | REVISED PER ECO-08-014695 | 13JUN08   | HMR  | MW |  |



9-1437624-8  
 [PKS1132B1/4]



- 1 MATERIAL AND FINISH:  
 SKIRT AND INLAY: ALUMINUM .016 THK., CLEAR ACRYLIC COATED  
 BODY: PHENOLIC, BLACK, HIGH GLOSS FINISH (SPE/SPI#A2)  
 SET SCREW: 303 STAINLESS STEEL, BLACK ANODIZED  
 INSERT: BRASS

2 SET SCREW ARE UNC-2A, CUP POINT, HEX SOCKET TYPE.  
 LENGTH TOLERANCE ON ALL SET SCREWS TO BE  $\pm .010$ .

3 INDICATOR LINE AND NUMBER COLOR: BLACK

4 RETENTION FORCE OF INSERT IN KNOB BODY: 50 LBS MIN.

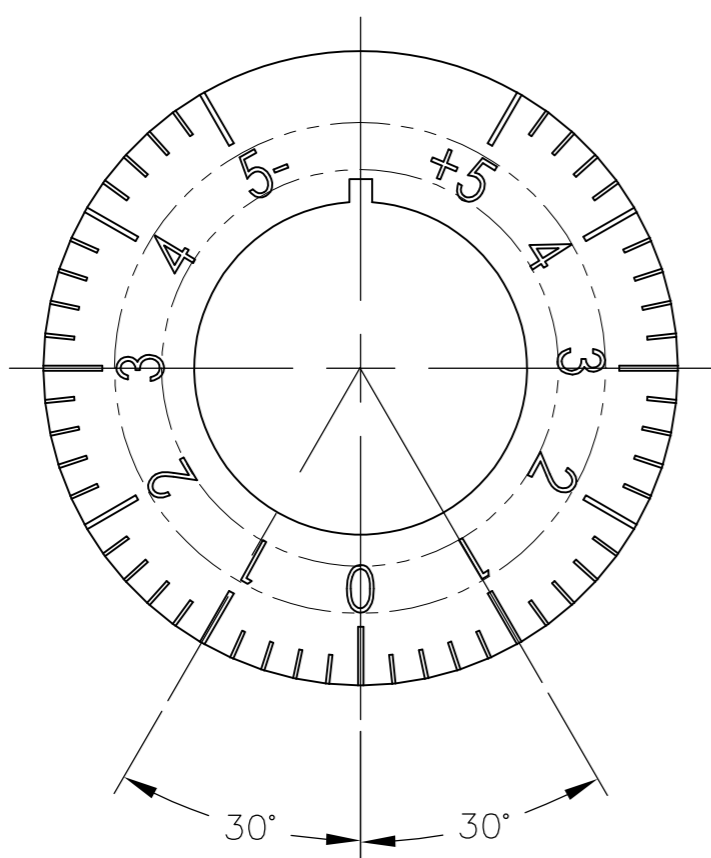
|              |      |               |             |
|--------------|------|---------------|-------------|
| #6-32 X .125 | .251 | PKS1132B91/4  | 1437625-2   |
| #6-32 X .125 | .251 | PKS1132B51/4  | 1437625-1   |
| #6-32 X .125 | .251 | PKS1132B101/4 | 9-1437624-9 |
| #6-32 X .125 | .251 | PKS1132B1/4   | 9-1437624-8 |

|             |              |              |             |
|-------------|--------------|--------------|-------------|
| 2 SET SCREW | C SHAFT HOLE | MODEL NUMBER | PART NUMBER |
|-------------|--------------|--------------|-------------|

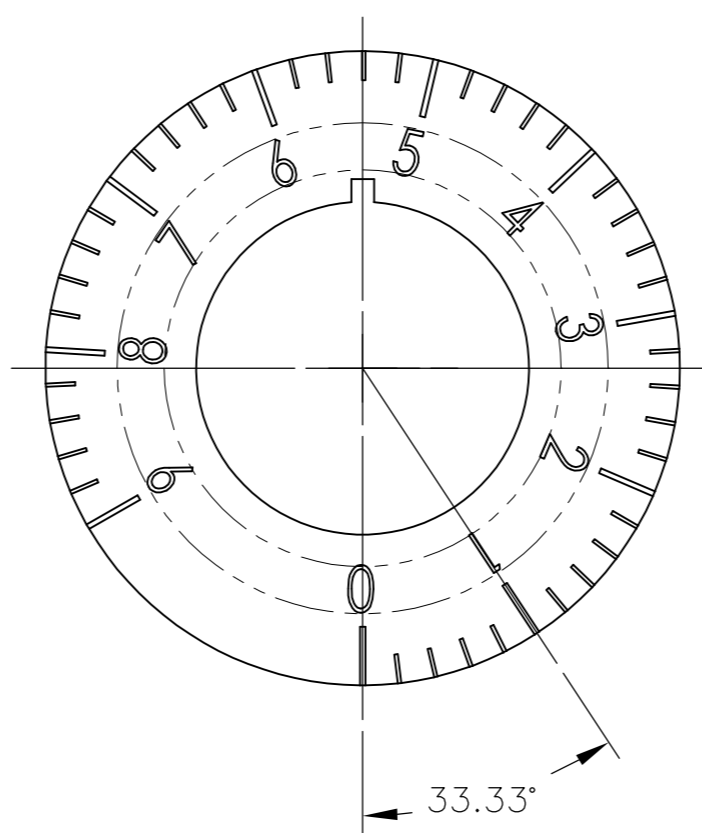
|  |  |                       |           |   |                    |
|--|--|-----------------------|-----------|---|--------------------|
| THIS DRAWING IS A CONTROLLED DOCUMENT. |  | DWN<br>M.BINNER       | 02APR03   | Tyco Electronics Corporation<br>Harrisburg, Pa 17105-3608 |                    |
| DIMENSIONS:<br>INCHES                  |  | CHK<br>-              | APVD<br>- | NAME  |                    |
| TOLERANCES UNLESS OTHERWISE SPECIFIED: |  | PRODUCT SPEC<br>-     |           | PKS SERIES KNOB   |                    |
| 0 PLC $\pm$ -                          |  | APPLICATION SPEC<br>- |           | SIZE<br>A2  | CAGE CODE<br>00779 |
| 1 PLC $\pm$ -                          |  | WEIGHT<br>-           |           | DRAWING NO<br>C=1437625-1                                 | RESTRICTED TO<br>- |
| 2 PLC $\pm$ -                          |  | MATERIAL<br>-         |           | SCALE<br>1:1  | SHEET<br>1 OF 2    |
| 3 PLC $\pm$ .004                       |  | FINISH<br>-           |           | REV<br>B2   |                    |
| 4 PLC $\pm$ -                          |  | CUSTOMER DRAWING      |           |   |                    |
| ANGLES $\pm 2^\circ$                   |  |                       |           |   |                    |

THIS DRAWING IS UNPUBLISHED. RELEASED FOR PUBLICATION  
 © COPYRIGHT BY TYCO ELECTRONICS CORPORATION. ALL RIGHTS RESERVED.

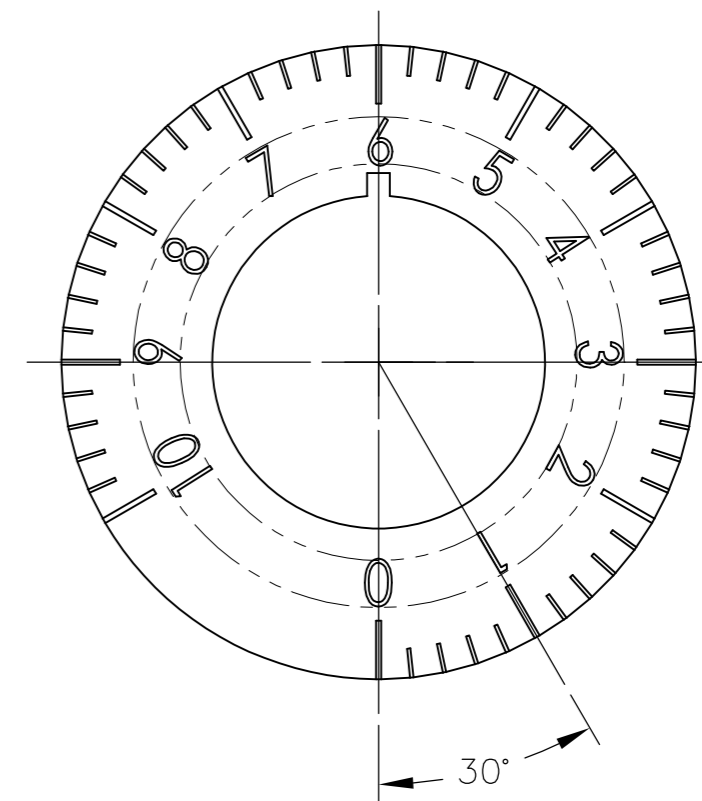
| LOC | DIST | REVISIONS   |      |     |      |
|-----|------|-------------|------|-----|------|
| P   | LTR  | DESCRIPTION | DATE | DWN | APVD |
| AD  | 0    | SEE SHEET 1 | -    | -   | -    |



1437625-1  
[PKS1132B51/4]



1437625-2  
[PKS1132B91/4]



9-1437624-9  
[PKS1132B101/4]

|  |  |   |            |   |                         |
|--|--|---|------------|---|-------------------------|
| THIS DRAWING IS A CONTROLLED DOCUMENT. |  | DWN<br>M.BINNER   | 02APRO3    | Tyco Electronics Corporation<br>Harrisburg, Pa 17105-3608 |                         |
| DIMENSIONS:<br>INCHES                  |  | CHK<br>-  | APVD<br>-  | NAME  |                         |
|  |  | TOLERANCES UNLESS OTHERWISE SPECIFIED:<br>0 PLC ± -<br>1 PLC ± -<br>2 PLC ± -<br>3 PLC ± .004<br>4 PLC ± -<br>ANGLES ± 2° |            | PRODUCT SPEC  |                         |
| MATERIAL                               |  | WEIGHT  |            | APPLICATION SPEC  |                         |
| -                                      |  | -   |            | -   |                         |
| CUSTOMER DRAWING                       |  |   | SIZE<br>A2 | CAGE CODE<br>00779  | DRAWING NO<br>1437625-1 |
| SCALE<br>1:1                           |  |   | SHEET<br>2 | OF<br>2   | REV<br>B2               |

1437625-1