



Chipsmall Limited consists of a professional team with an average of over 10 year of expertise in the distribution of electronic components. Based in Hongkong, we have already established firm and mutual-benefit business relationships with customers from,Europe,America and south Asia,supplying obsolete and hard-to-find components to meet their specific needs.

With the principle of "Quality Parts,Customers Priority,Honest Operation,and Considerate Service",our business mainly focus on the distribution of electronic components. Line cards we deal with include Microchip,ALPS,ROHM,Xilinx,Pulse,ON,Everlight and Freescale. Main products comprise IC,Modules,Potentiometer,IC Socket,Relay,Connector.Our parts cover such applications as commercial,industrial, and automotives areas.

We are looking forward to setting up business relationship with you and hope to provide you with the best service and solution. Let us make a better world for our industry!



## Contact us

Tel: +86-755-8981 8866 Fax: +86-755-8427 6832

Email & Skype: info@chipsmall.com Web: www.chipsmall.com

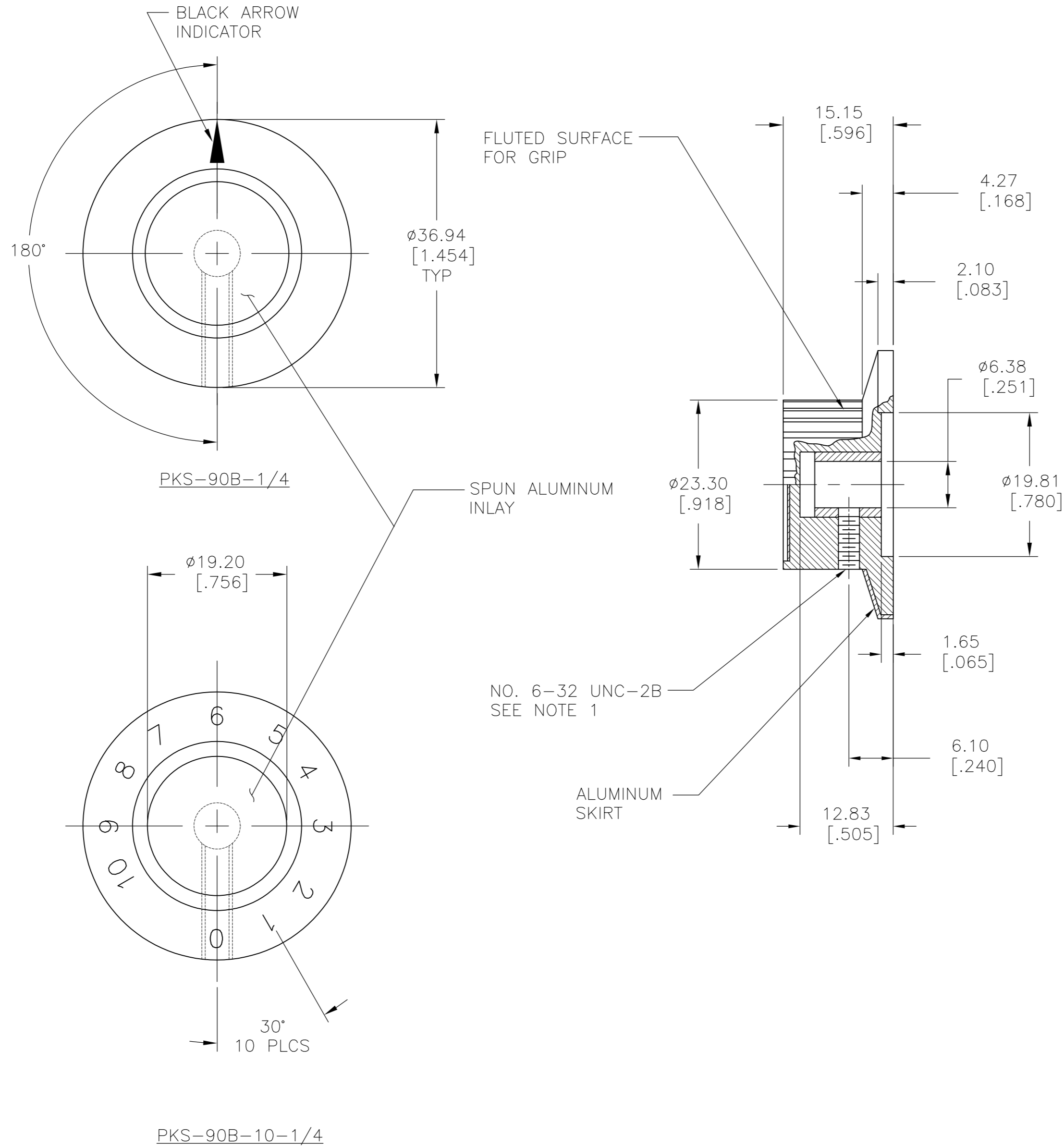
Address: A1208, Overseas Decoration Building, #122 Zhenhua RD., Futian, Shenzhen, China



THIS DRAWING IS UNPUBLISHED. RELEASED FOR PUBLICATION  
 © COPYRIGHT BY TYCO ELECTRONICS CORPORATION. ALL INTERNATIONAL RIGHTS RESERVED.

LOC		DIST		REVISIONS			
P	LTR	DESCRIPTION	DATE	DWN	APVD		
A		REDRAWN PER ECO-08-027936	19NOV08	HMR	MW		

1 SUPPLIED WITH ONE STEEL HEX SOCKET SET SCREW  
 CUP POINT NO. 6-32 UNC-2A, .312/[7.93] LONG.



TOLERANCES UNLESS NOTED			
0.50-4.00 [.020-.157]	±0.03 [.001]	SHAFT HOLE	+0.07 [.003]
4.01-16.00 [.158-.630]	±0.10 [.004]	Ø6.38 [.251]	-0.00 [.000]
mm [INCH]	16.03-64.00 [.631-2.520]	±0.38 [.015]	ANGULAR ±2° NON-ACCUMULATIVE

0~10	1437625-6
BLACK ARROW	1437625-5
DESCRIPTION	PART NUMBER

THIS DRAWING IS A CONTROLLED DOCUMENT.		DWN RAGHAVENDRA 19NOV08	Tyco Electronics Corporation Harrisburg, PA 17105-3608	
DIMENSIONS: mm [INCHES]		CHK WILBOURN M 19NOV08	NAME PLASTIC KNOB (PKS 90B SERIES)	
TOLERANCES UNLESS OTHERWISE SPECIFIED:		APVD WILBOURN M 19NOV08	PRODUCT SPEC	
0 PLC ± -		APPLICATION SPEC		
1 PLC ± -		WEIGHT -		
2 PLC ± -		SIZE A2		
3 PLC ± -		CAGE CODE 00779		
4 PLC ± -		DRAWING NO C=1437625-5		
ANGLES ± -		RESTRICTED TO -		
FINISH -		SCALE 2:1		
MATERIAL -		SHEET 1 OF 1		
CUSTOMER DRAWING		REV A		