



Chipsmall Limited consists of a professional team with an average of over 10 year of expertise in the distribution of electronic components. Based in Hongkong, we have already established firm and mutual-benefit business relationships with customers from,Europe,America and south Asia,supplying obsolete and hard-to-find components to meet their specific needs.

With the principle of “Quality Parts,Customers Priority,Honest Operation,and Considerate Service”,our business mainly focus on the distribution of electronic components. Line cards we deal with include Microchip,ALPS,ROHM,Xilinx,Pulse,ON,Everlight and Freescale. Main products comprise IC,Modules,Potentiometer,IC Socket,Relay,Connector.Our parts cover such applications as commercial,industrial, and automotives areas.

We are looking forward to setting up business relationship with you and hope to provide you with the best service and solution. Let us make a better world for our industry!



## Contact us

Tel: +86-755-8981 8866 Fax: +86-755-8427 6832

Email & Skype: info@chipsmall.com Web: www.chipsmall.com

Address: A1208, Overseas Decoration Building, #122 Zhenhua RD., Futian, Shenzhen, China



# PL Series 5 Tumbler Miniature Camlocks

## Features/Benefits

- Cost-effective security
- Custom cams available

## Typical Applications

- Office furniture
- Cash registers
- Copy machines



## Specifications

INDEXING: 90°: 2 positions.

**NOTE:** Specifications and materials listed above are for camlocks with standard options. For information on specific and custom camlocks, consult Customer Service Center.

## Materials

LOCK: 6/6 nylon (UL 94V-2). Color, black.

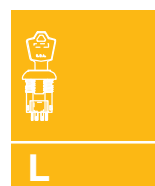
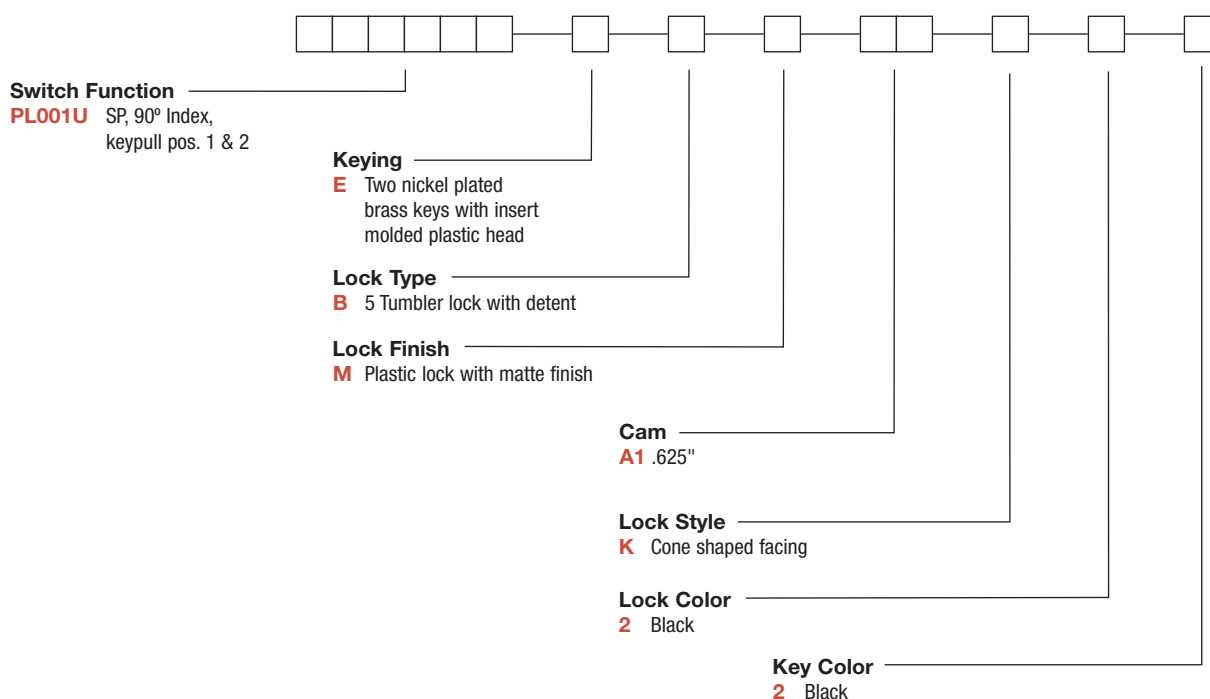
5 tumbler, single bitted lock with integral detent mechanism.

KEYS: Two nickel plated brass keys with black plastic insert molded head.

CAM: 6/6 nylon (UL 94V-2).

## Build-A-Switch

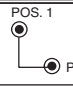
To order, simply select desired option from each category and place in the appropriate box. Available options are shown and described on pages L-40 and L-41. For additional options not shown in catalog, consult Customer Service Center.

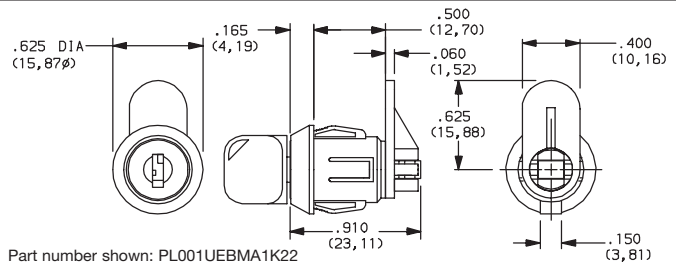


Switchlock

# PL Series 5 Tumbler Miniature Camlocks

## LOCK FUNCTION

MODEL NO.	KEY PULL POSITIONS	LOCK CONFIGURATION	INDEXING
<b>PL001U</b>	Positions 1 & 2		90°

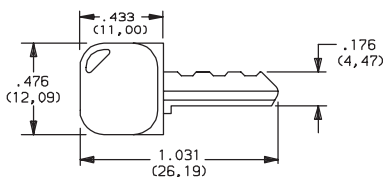
Part number shown: PL001UEBMA1K22

### LEGEND

- = Detent Position (90°)
- ⊙ = Key pull possible in these positions.
- ⊙ = Stop Positions

## KEYING

**E** TWO NICKEL PLATED BRASS KEYS WITH INSERT MOLDED PLASTIC HEAD



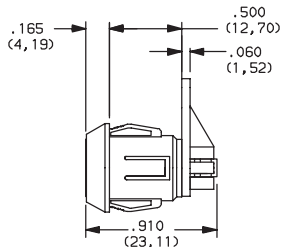
Key part number: 617D1004102

OPTION CODE	KEY COLOR
<b>2</b>	BLACK

**NOTE:** All orders keyed alike, standard. For more than one key code, replacement keys, or other special features, consult Customer Service Center.

## LOCK TYPE

**B** 5 TUMBLER LOCK WITH DETENT



OPTION CODE	LOCK COLOR
<b>2</b>	BLACK

## LOCK FINISH

**M** PLASTIC LOCK WITH MATTE FINISH



Dimensions are shown: Inch (mm)  
Specifications and dimensions subject to change

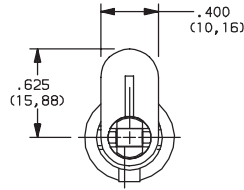


Switchlock

# PL Series 5 Tumbler Miniature Camlocks

## CAM

**A1** .625"

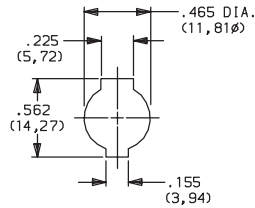
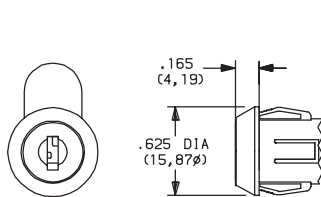


**NOTE:** Cam not assembled to switch. Other cam lengths and styles available, consult Customer Service Center.

## LOCK STYLE

**K** CONE SHAPED FACING

PANEL MOUNTING



Panel thickness: .050-.080 (1,27-2,03)

## AVAILABLE HARDWARE



Key Code: 041

**PART NO. (ONE KEY)**

**617D1004102** BLACK

**Material:** Brass  
Finish: Nickel plate  
6/6 Nylon insert molded head



Switchlock



Dimensions are shown: Inch (mm)

Specifications and dimensions subject to change