



Chipsmall Limited consists of a professional team with an average of over 10 year of expertise in the distribution of electronic components. Based in Hongkong, we have already established firm and mutual-benefit business relationships with customers from,Europe,America and south Asia,supplying obsolete and hard-to-find components to meet their specific needs.

With the principle of “Quality Parts,Customers Priority,Honest Operation,and Considerate Service”,our business mainly focus on the distribution of electronic components. Line cards we deal with include Microchip,ALPS,ROHM,Xilinx,Pulse,ON,Everlight and Freescale. Main products comprise IC,Modules,Potentiometer,IC Socket,Relay,Connector.Our parts cover such applications as commercial,industrial, and automotives areas.

We are looking forward to setting up business relationship with you and hope to provide you with the best service and solution. Let us make a better world for our industry!



Contact us

Tel: +86-755-8981 8866 Fax: +86-755-8427 6832

Email & Skype: info@chipsmall.com Web: www.chipsmall.com

Address: A1208, Overseas Decoration Building, #122 Zhenhua RD., Futian, Shenzhen, China



DC – 200 MHz 1:2 Fan-Out Buffer

FEATURES

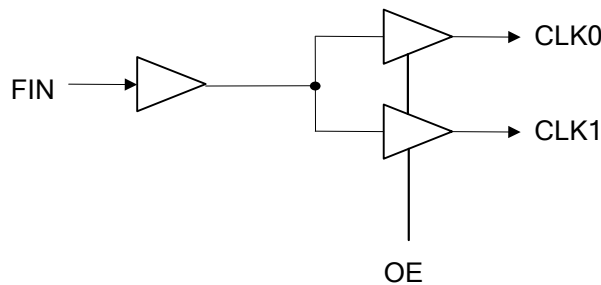
- Supports 3.3V, 2.5V, and 1.8V power supplies
- Frequency Support
 - 3.3V Supplies: DC – 200 MHz
 - 2.5V Supplies: DC – 150 MHz
 - 1.8V Supplies: DC – 100 MHz
- Output Enable (OE) pin
- LVC MOS Input/Output
 - Accepts SST and non SST clock signals
- Operating temperature range from -40°C to 85°C
- Available in space-saving 6-pin DFN GREEN/RoHS compliant package.

The PL123-02N is a low-cost general purpose 1-to-2 LVC MOS fan-out buffer. An output enable (OE) pin is available to enable the outputs or disable them into an active low state. When the outputs are disabled, the IC consumes less than 5µA of power. The OE pin incorporates a pull up resistor giving a default condition of logic “1”.

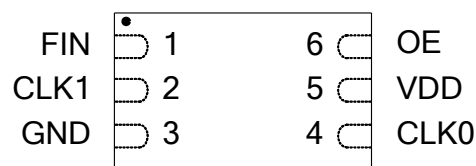
The input and outputs are LVC MOS levels and operate up to 200 MHz. Input signals with Spread Spectrum Modulation can also be used. The spread spectrum modulation will not be affected by the PL123-02N as the signal passes through the IC. A space-saving 6-pin DFN package enables designs requiring minimal board area.

DESCRIPTION

BLOCK DIAGRAM



PIN CONFIGURATION AND DESCRIPTION



DFN-6L
(2.0 x 1.3 x 0.6mm)

Name	Pin Assignment	Type	Description
FIN	1	I	Reference input pin
CLK1	2	O	Clock Output
GND	3	P	GND connection
CLK0	4	O	Clock Output
VDD	5	P	V _{DD} connection
OE	6	I	Output Enable (OE) input. Outputs are enabled when set high. Outputs are 'Active low' mode when set low.

ELECTRICAL SPECIFICATIONS

ABSOLUTE MAXIMUM RATINGS

PARAMETERS	SYMBOL	MIN.	MAX.	UNITS
Supply Voltage Range	V_{DD}	-0.5	4.6	V
Input Voltage Range	V_I	-0.5	$V_{DD}+0.5$	V
Output Voltage Range	V_O	-0.5	$V_{DD}+0.5$	V
Soldering Temperature (Green package)			260	°C
Storage Temperature	T_S	-65	150	°C
Ambient Operating Temperature*		-40	85	°C

Exposure of the device under conditions beyond the limits specified by Maximum Ratings for extended periods may cause permanent damage to the device and affect product reliability. These conditions represent a stress rating only, and functional operations of the device at these or any other conditions above the operational limits noted in this specification is not implied. *Operating temperature is guaranteed by design. Parts are tested to commercial grade only.

AC SPECIFICATIONS

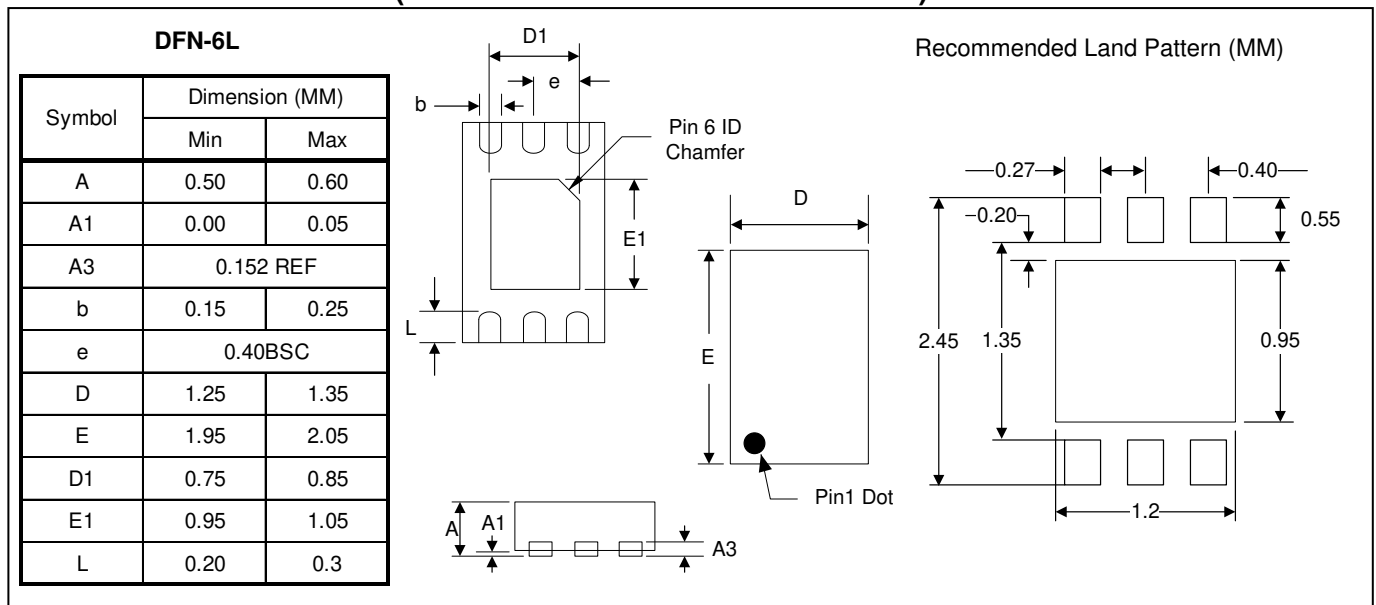
PARAMETERS	CONDITIONS	MIN.	TYP.	MAX.	UNITS
Frequency ^[1]	@ V_{DD} = 3.3V, 15pF Load	DC		200	MHz
	@ V_{DD} = 2.5V, 15pF Load			150	
	@ V_{DD} = 1.8V, 15pF Load			100	
Input Voltage Low				$0.3 \times V_{DD}$	V
Input Voltage High		$0.7 \times V_{DD}$			V
Output Enable Time	$T_a=25^\circ\text{C}$, 15pF Load			2	ms
Output Rise Time	15pF Load, 10/90% V_{DD} , 3.3V		2.0	3.0	ns
Output Fall Time	15pF Load, 90/10% V_{DD} , 3.3V		2.0	3.0	ns
Duty Cycle	Dependant upon input duty cycle				%

Notes: [1] Higher frequencies may be achieved for lower capacitive loads.

DC SPECIFICATIONS

PARAMETERS	SYMBOL	CONDITIONS	MIN.	TYP.	MAX.	UNITS
Supply Current, Dynamic, with Loaded CMOS Output	I_{DD}	@ $V_{DD} = 3.3V$, 32kHz, load=15pF		0.8		mA
Supply Current, Dynamic, with Loaded CMOS Output	I_{DD}	@ $V_{DD} = 2.5V$, 32kHz, load=15pF		0.6		mA
Supply Current, Dynamic, with Loaded CMOS Output	I_{DD}	@ $V_{DD} = 1.8V$, 32kHz, load=15pF		0.4		mA
Supply Current, Dynamic, with Loaded Outputs	I_{DD}	When OE=0			5	μA
Operating Voltage	V_{DD}		1.62		3.63	V
Output Low Voltage	V_{OL}	$I_{OL} = +4mA$			0.4	V
Output High Voltage	V_{OH}	$I_{OH} = -4mA$	$V_{DD} - 0.4$			V
Output Current	I_{OSD}	$V_{OL} = 0.4V$, $V_{OH} = 2.4V$	8			mA

PACKAGE DRAWINGS (GREEN PACKAGE COMPLIANT)



ORDERING INFORMATION (GREEN PACKAGE COMPLIANT)

For part ordering, please contact our Sales Department:

2180 Fortune Drive, San Jose, CA 95131, USA

Tel: (408) 944-0800 Fax: (408) 474-1000

PART NUMBER

The order number for this device is a combination of the following:

Part number, Package type and Operating temperature range

PL123-02N G C - R

PART NUMBER

R=TAPE and REEL

PACKAGE TYPE

TEMPERATURE

G=DFN-6L

C=COMMERCIAL

I = INDUSTRIAL

Part /Order Number	Marking*	Package Option
PL123-02NGC-R	02N LLL	6-Pin DFN (Tape and Reel)
PL123-02NGI-R	02N LLL	6-Pin DFN (Tape and Reel)

*Note: LLL designates lot number

Micrel Inc., reserves the right to make changes in its products or specifications, or both at any time without notice. The information furnished by Micrel is believed to be accurate and reliable. However, Micrel makes no guarantee or warranty concerning the accuracy of said information and shall not be responsible for any loss or damage of whatever nature resulting from the use of, or reliance upon this product.

LIFE SUPPORT POLICY: Micrel's products are not authorized for use as critical components in life support devices or systems without the express written approval of the President of Micrel Inc.